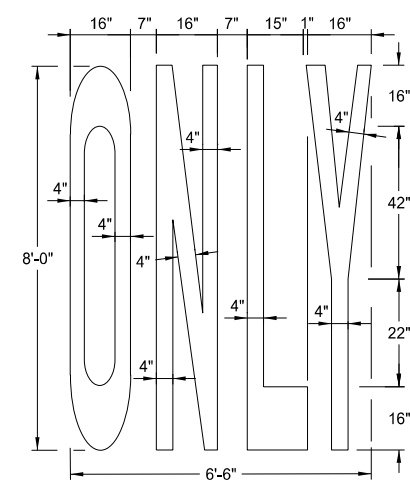
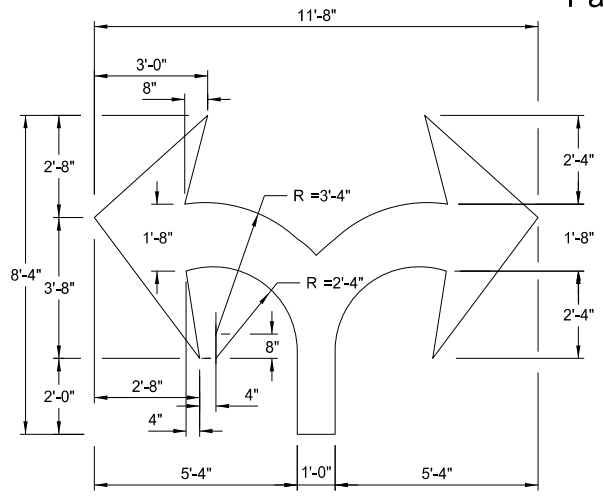


Pavement Marking Message Details

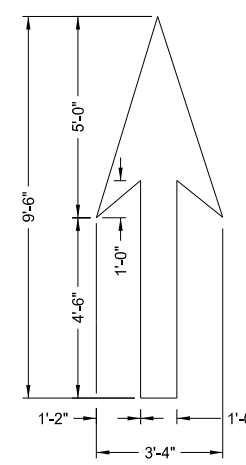
D-762-1



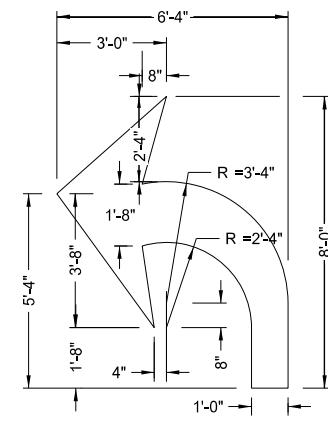
22 S. F.



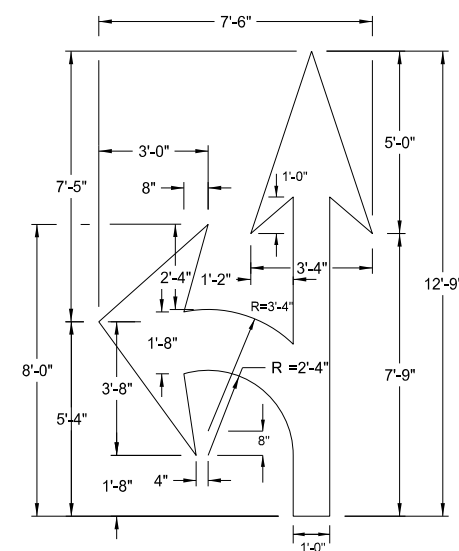
29 S. F.



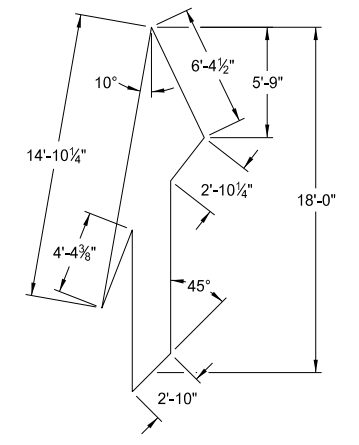
12 S. F.



16 S. F.

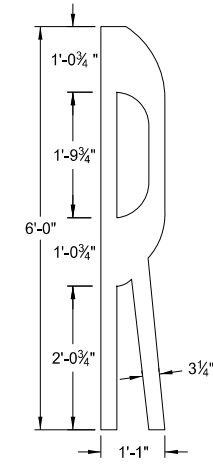


27 S. F.

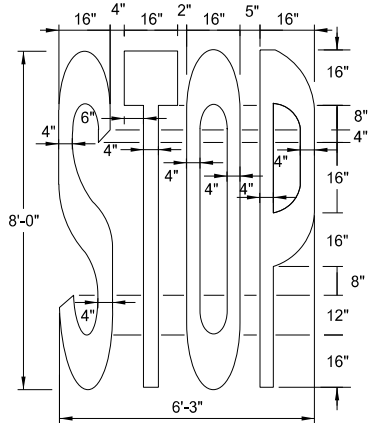


41 S. F.

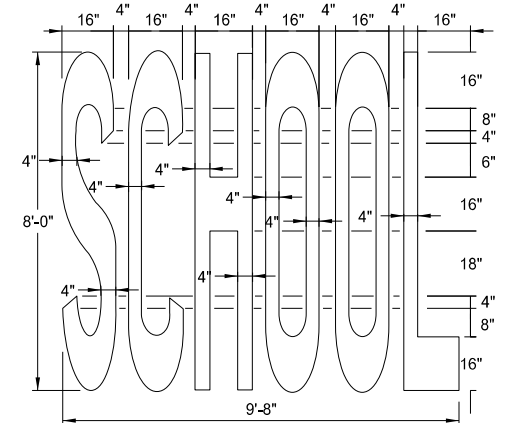
Note: Rotate merge arrow 20° from edge of roadway.



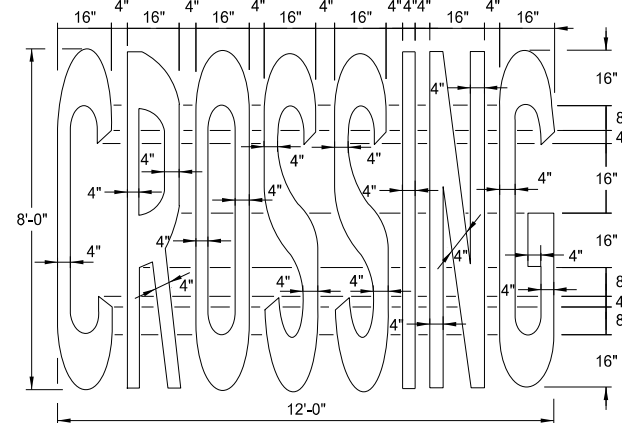
4 S. F.



22 S. F.



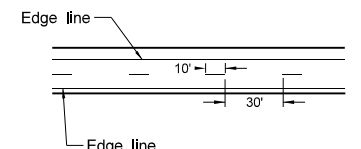
34.5 S. F.



46 S. F.

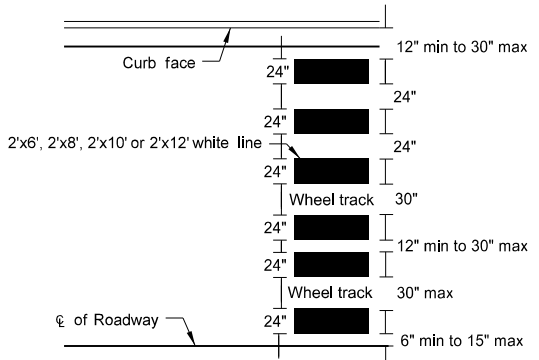
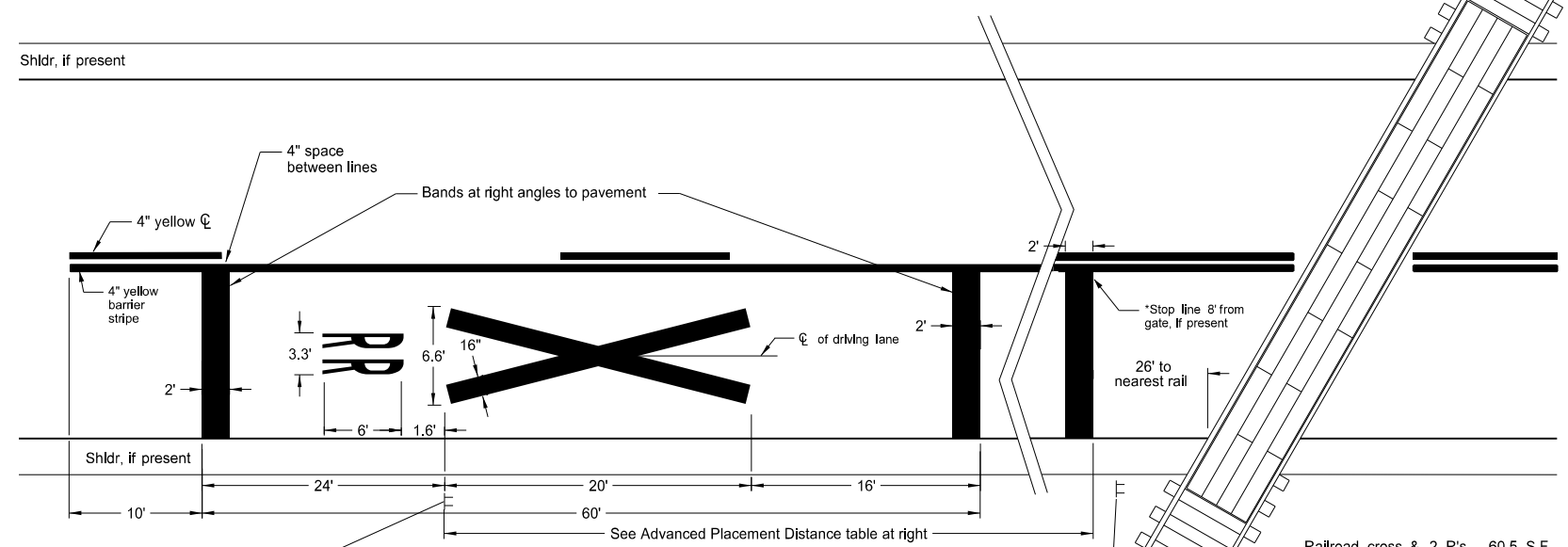
Speed Limit	Chevron Width	Chevron Spacing 45° to Traffic
0-25 mph	8"	5'
30-40 mph	8"	15'
45 mph and above	12"	25'

Chevron Crosshatching Table

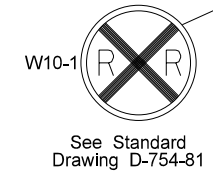


Centerline Pavement Marking Skip Spacing Detail

Advance Placement Distance for Railroad Warning Signs	
Posted or 85th Percentile Speed	Advance Distance
20 mph	min. 100 ft
25 mph	min. 100 ft
30 mph	min. 100 ft
35 mph	min. 100 ft
40 mph	125 ft
45 mph	175 ft
50 mph	250 ft
55 mph	325 ft
60 mph	400 ft
65 mph	475 ft
70 mph	550 ft



Continental Crosswalk Detail



Notes:
 Mark a three lane roadway with a centerline for two-lane approach operation on the approach to a crossing. On multi-lane roads, extend the transverse bands across all approach lanes, and use individual R X R symbols in each approach lane.
 See plans for correct message. Use white pavement markings unless noted otherwise.



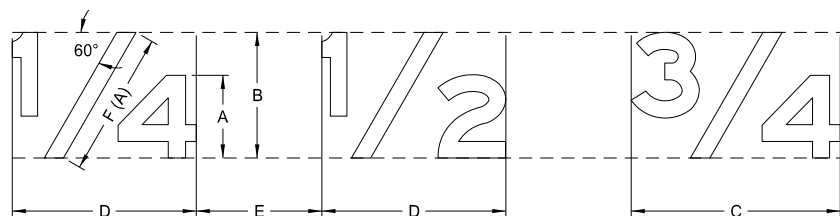
*Stop Bar nearest crossing - 8' from gate or 26' to nearest rail - Use whichever is further from tracks.

NORTH DAKOTA DEPARTMENT OF TRANSPORTATION	
12-6-11	
REVISIONS	
DATE	CHANGE
10-17-17	Updated to active voice.
08-27-19	New Design Engineer PE Stamp.
01-28-2020	Revised min Stop Bar distance to rail.

This document was originally issued and sealed by
Kirk J Hoff,
 Registration Number
PE-4683,
 on 1/28/2020 and the original document is stored at the North Dakota Department of Transportation

LETTER AND ARROW DETAILS

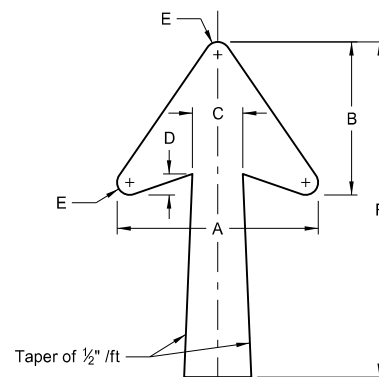
NOTE: Measure rotation angle of arrows counterclockwise from positions shown in details.



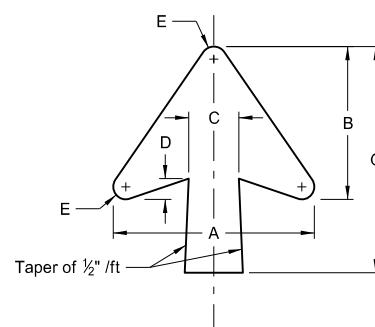
DETERMINE SIZE OF THE FRACTION AS FOLLOWS:

SYMBOL	TITLE	RATIO TO HEIGHT OF CAPITAL OR UPPER CASE
A	Letter height	1.0 of capital or upper case
B	Fraction height	1.5 X A
C	Fraction width	2.5 X A
D	Fraction width	2 X A
E	Space to next character	1 to 1.5 X A
F(A)	Length of diagonal	1.75 X A

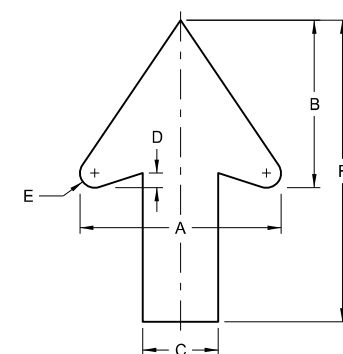
(A) Center diagonal stroke of fraction optically.



TYPE A



TYPE B

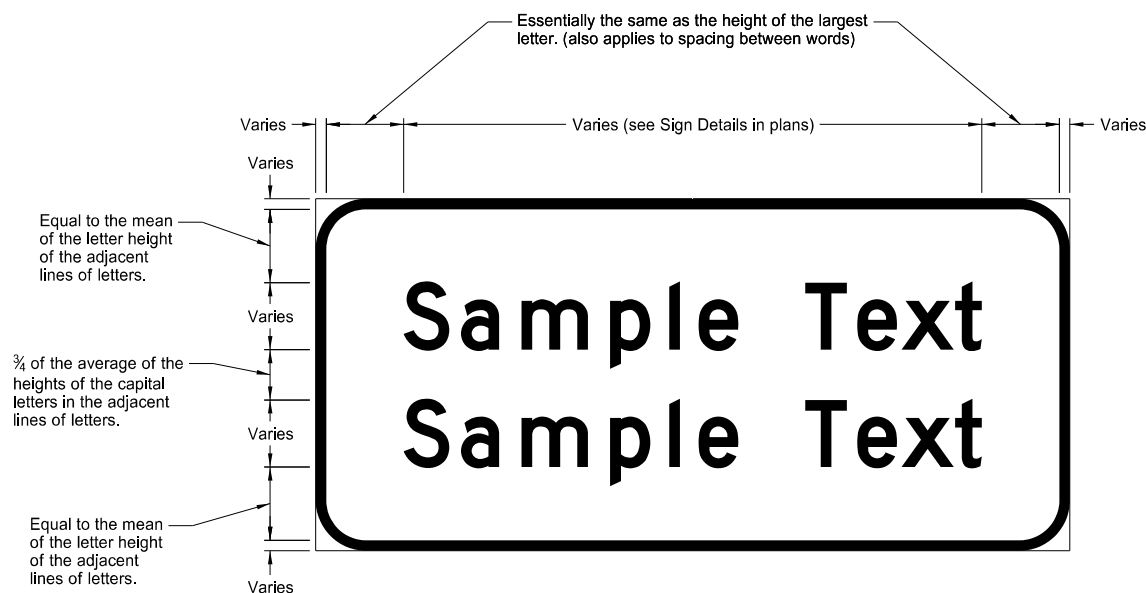


TYPE D

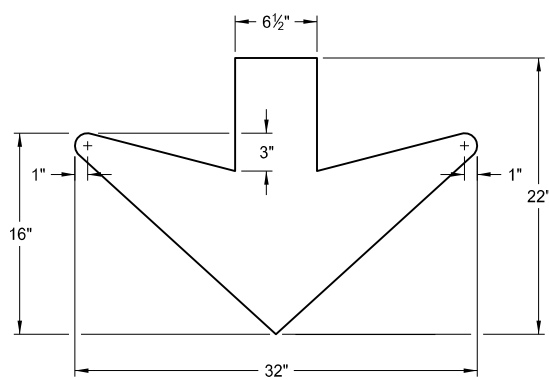
DESIGNATION	LETTER SIZE (Upper Case)	A	B	C	D	E	F	G
ND_6IN	6"	12"	9.125"	3"	1"	0.625"	20"	13.5"
ND_8IN	8"	15.125"	11.563"	3.75"	1.313"	0.813"	25"	17"
ND_10IN	10"	18.25"	14"	4.5"	1.5"	0.75"	30"	20"
ND_12IN	12"							
ND_13IN	13.3"	22.25"	17"	5.375"	1.75"	1"	35"	25"
ND_16IN	16"							
ND_20IN	20"							

NOTE: Arrow size on gore signs is based on the letter size of "EXIT".

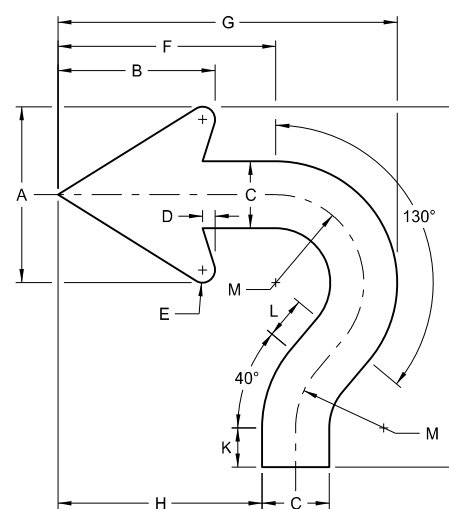
DESIGNATION	LETTER SIZE (Upper Case)	A	B	C	D	E	F
ND_2IN	2"	2"	1.625"	0.75"	0.125"	0.125"	3"
ND_4IN	4"	4"	3.313"	1.5"	0.25"	0.25"	6"
ND_6IN	6"	6"	4.875"	2.25"	0.375"	0.375"	9"
ND_8IN	8"	8"	6.625"	3"	0.5"	0.5"	12"
ND_10IN	10"	10"	8.375"	3.75"	0.75"	0.75"	15"
ND_12IN	12"	12"	10"	4.5"	0.875"	0.875"	18"



TYPICAL SPACING

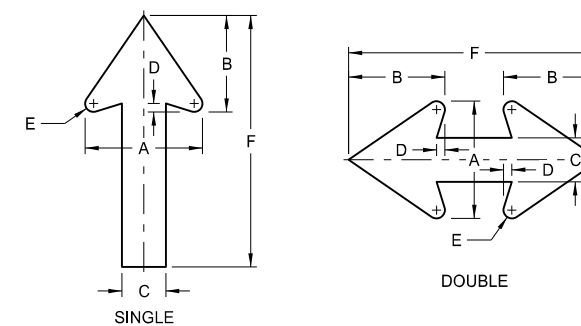


DOWN ARROW



ROUNDOABOUT

DESIGNATION	LETTER SIZE (Upper Case)	A	B	C	D	E	F	G	H	J	K	L	M
ND_6IN	6"	5.25"	4.688"	2"	0.375"	0.375"	6.5"	10.125"	6.094"	10.75"	1.168"	1.25"	2.625"
ND_8IN	8"	7"	5.75"	2.625"	0.5"	0.5"	8.688"	13.5"	8.166"	14.333"	1.557"	1.667"	3.5"



SPECIAL

DESIGNATION	A	B	C	D	E	F	USES
ND_0.75IN	2"	1.625"	0.75"	0.125"	0.125"	7.75"	Parking Signs (Regulatory)
ND_2.625IN	7"	5.75"	2.625"	0.5"	0.5"	15"	Frontage Road Signs

NORTH DAKOTA DEPARTMENT OF TRANSPORTATION	
8-3-11	
REVISIONS	
DATE	CHANGE
7-8-14	Revised gore sign and added 4" D & D arrow
5-4-16	Revised Distance & Destination and Typical Spacing details
4-23-18	Revised arrow details
8-30-18	Updated notes to active voice.
8-29-19	New Design Engr PE Stamp.

This document was originally issued and sealed by Kirk J Hoff, Registration Number PE-4683, on 8/29/19 and the original document is stored at the North Dakota Department of Transportation