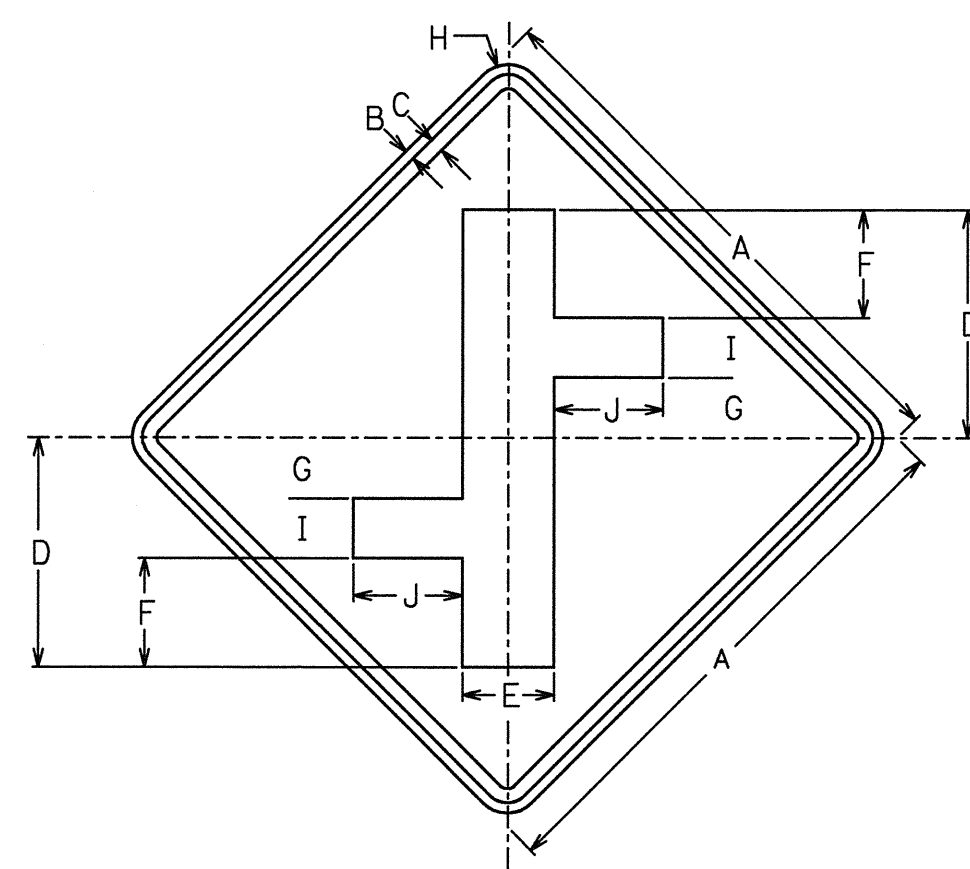


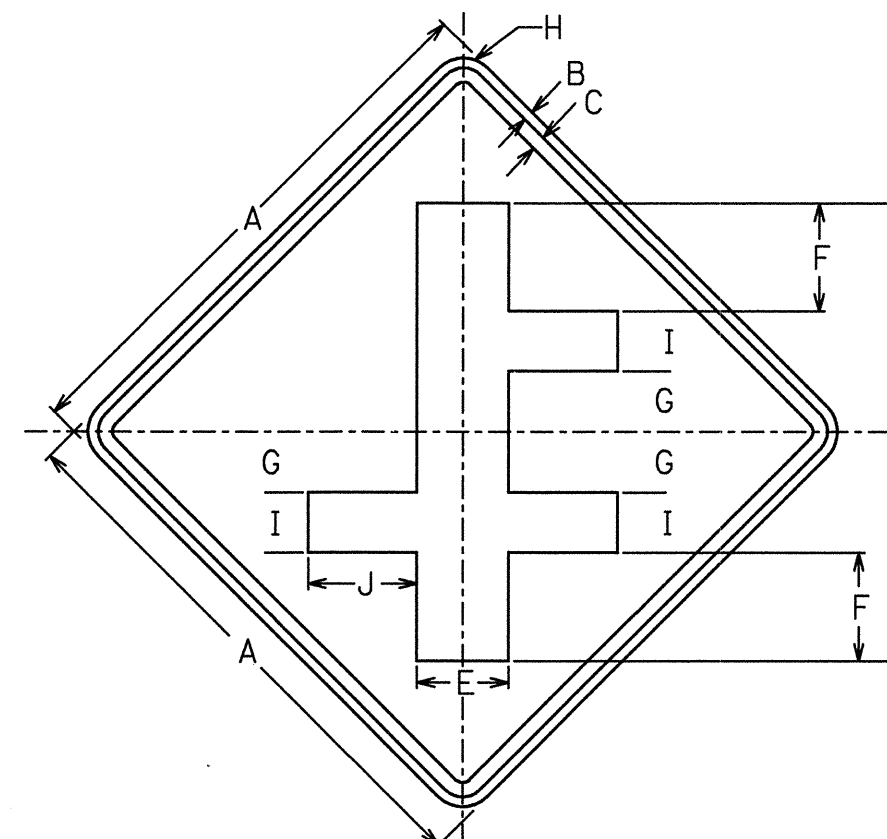
W552-1

SIGN	DIMENSIONS (INCHES)									
	A	B	C	D	E	F	G	H	I	J
STD & MIN	30	1/2	3/4	12 1/2	5	6	3 1/4	1 1/8	3 1/4	6
EXPWY	36	5/8	7/8	15	6	7	4	2 1/4	4	7
FWY	48	7/8	1 1/4	20	8	9 1/2	5 1/4	3	5 1/4	9 1/2



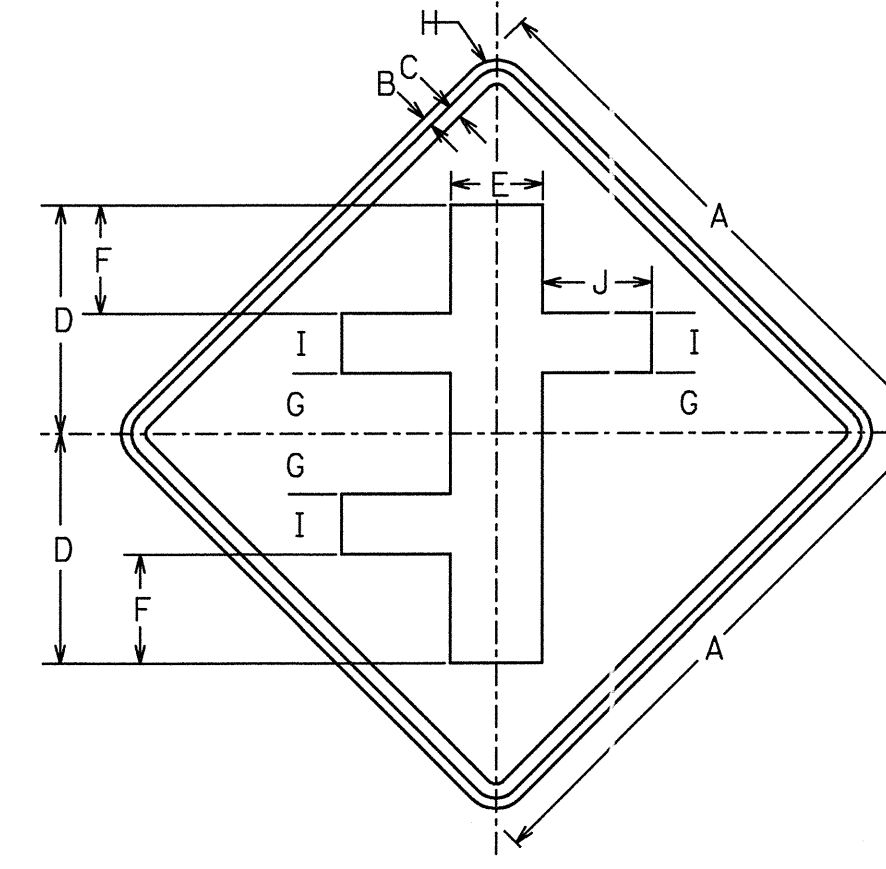
W552-2

SIGN	DIMENSIONS (INCHES)									
	A	B	C	D	E	F	G	H	I	J
STD & MIN	30	1/2	3/4	12 1/2	5	6	3 1/4	1 1/8	3 1/4	6
EXPWY	36	5/8	7/8	15	6	7	4	2 1/4	4	7
FWY	48	7/8	1 1/4	20	8	9 1/2	5 1/4	3	5 1/4	9 1/2



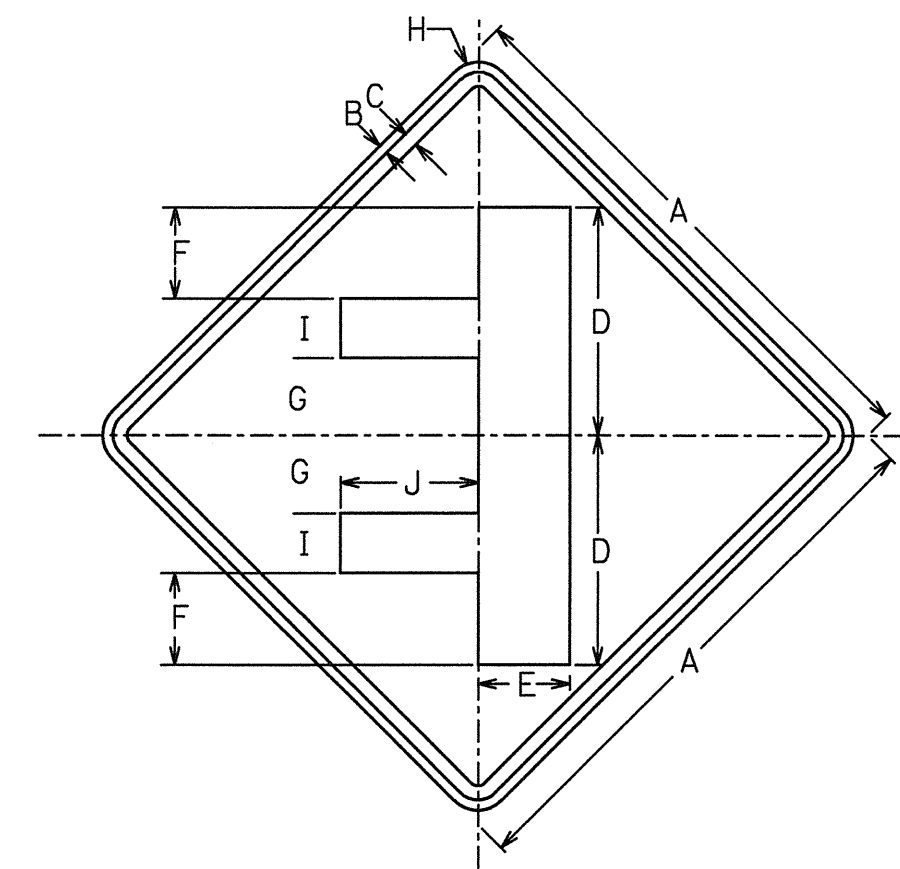
W552-3

SIGN	DIMENSIONS (INCHES)									
	A	B	C	D	E	F	G	H	I	J
STD & MIN	30	1/2	3/4	12 1/2	5	6	3 1/4	1 1/8	3 1/4	6
EXPWY	36	5/8	7/8	15	6	7	4	2 1/4	4	7
FWY	48	7/8	1 1/4	20	8	9 1/2	5 1/4	3	5 1/4	9 1/2



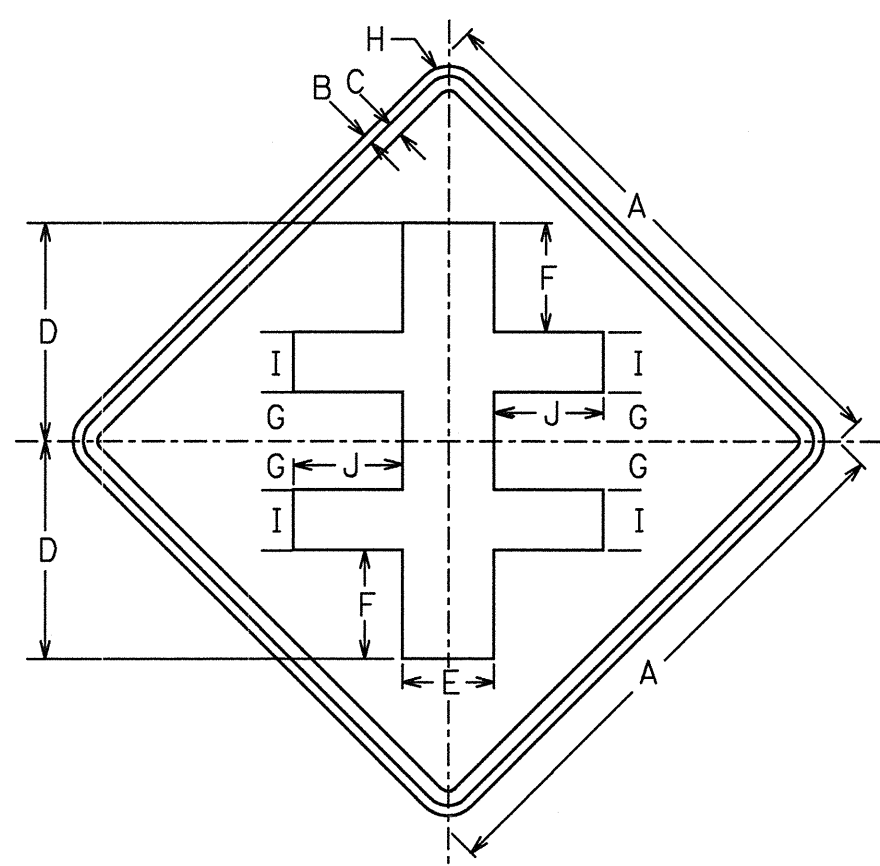
W552-4

SIGN	DIMENSIONS (INCHES)									
	A	B	C	D	E	F	G	H	I	J
STD & MIN	30	1/2	3/4	12 1/2	5	6	3 1/4	1 1/8	3 1/4	6
EXPWY	36	5/8	7/8	15	6	7	4	2 1/4	4	7
FWY	48	7/8	1 1/4	20	8	9 1/2	5 1/4	3	5 1/4	9 1/2



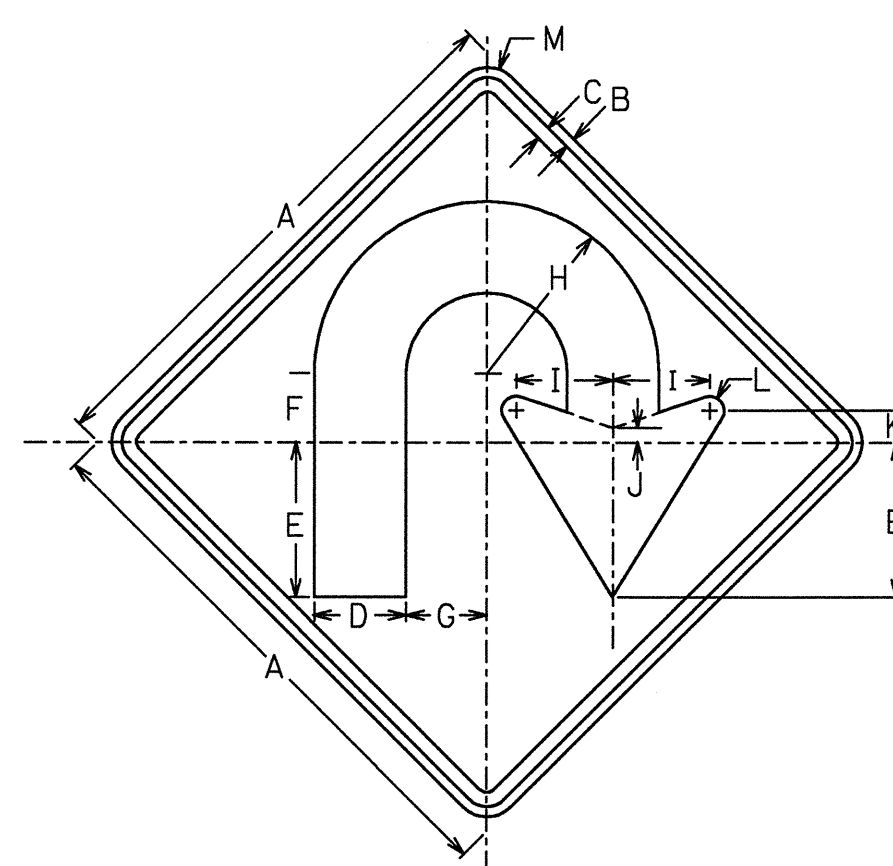
W552-5

SIGN	DIMENSIONS (INCHES)									
	A	B	C	D	E	F	G	H	I	J
STD & MIN	30	1/2	3/4	12 1/2	5	5	4 1/4	1 1/8	3 1/4	8
EXPWY	36	5/8	7/8	15	6	6	5	2 1/4	4	10
FWY	48	7/8	1 1/4	20	8	8	6 3/4	3	5 1/4	12



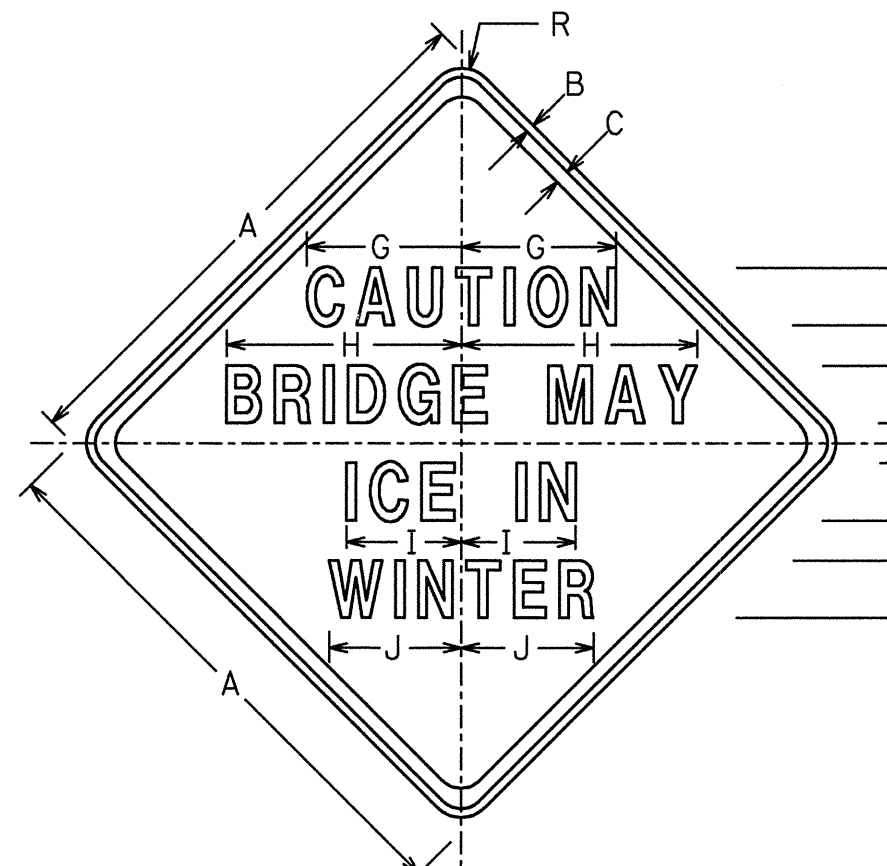
W552-6

SIGN	DIMENSIONS (INCHES)									
	A	B	C	D	E	F	G	H	I	J
STD & MIN	30	1/2	3/4	12 1/2	5	5	3 1/4	1 1/8	3 1/4	6
EXPWY	36	5/8	7/8	15	6	7	4	2 1/4	4	7
FWY	48	7/8	1 1/4	20	8	9 1/2	5 1/4	3	5 1/4	9 1/2



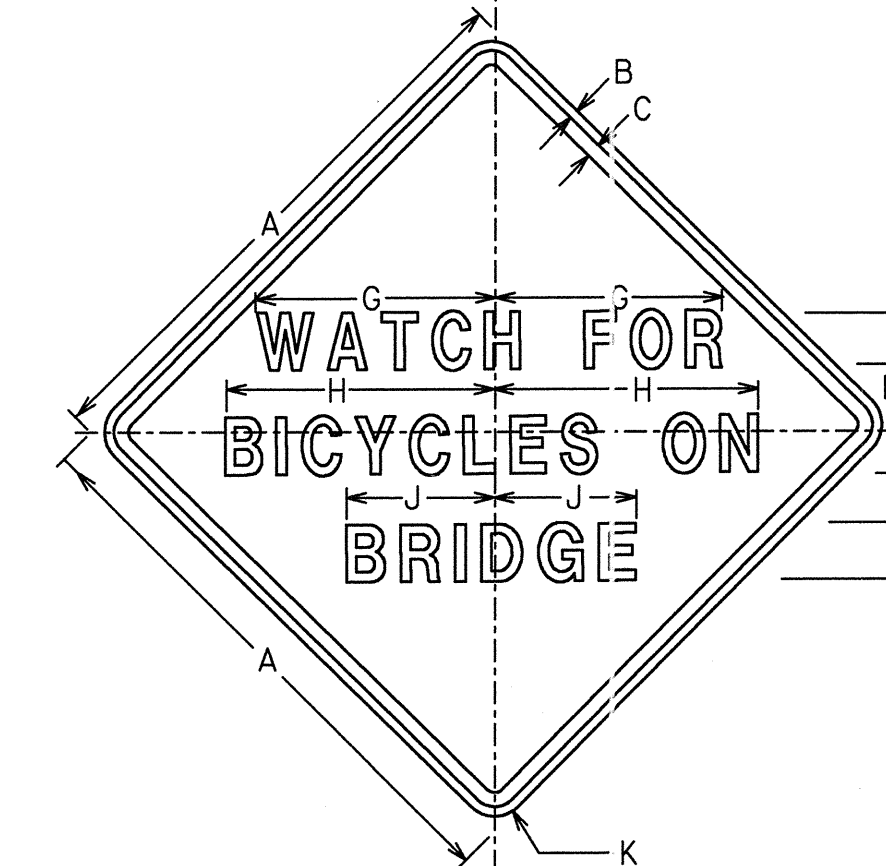
W551-1

SIGN	DIMENSIONS (INCHES)												
	A	B	C	D	E	F	G	H	I	J	K	L	M
STD & MIN	30	1/2	3/4	5	8 1/2	3 3/4	4 3/8	9 3/8	5 3/4	3 1/4	1 5/8	3 1/4	1 7/8
EXPWY	36	5/8	7/8	6	10	4 1/2	5 1/4	11 1/4	6 1/8	1 5/8	2 3/16	1 5/8	2 1/4
FWY	48	7/8	1 1/4	8	13 1/2	6	7	15	8 1/16	1 1/4	2 3/4	1 1/4	3



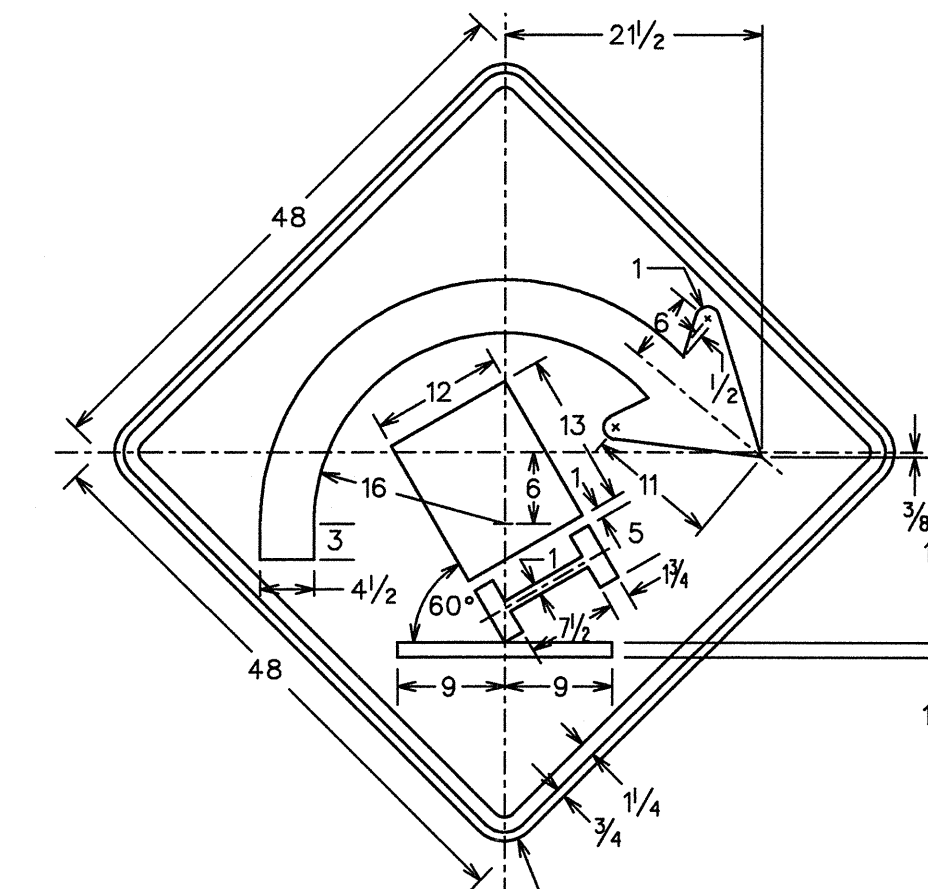
W560-1

SIGN	DIMENSIONS (INCHES)										
	A	B	C	D	E	F	G	H	I	J	R
MIN & STD	30	1/2	3/4	3D	2 3/16	1 3/32	8	12 1/2	6	7	1 7/8
EXPWY	36	5/8	7/8	4D	2 5/8	1 5/16	11	16 1/2	8	9	2 1/4
FWY	48	3/4	1 1/4	5D	3 1/2	1 3/4	13 1/2	20 1/2	10	11 1/2	3



W560-2

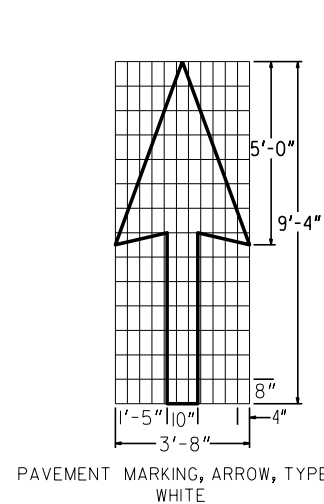
SIGN	DIMENSIONS (INCHES)										
	A	B	C	D	E	F	G	H	J	K	
MIN & STD	30	1/2	3/4	3C	1 1/2	1 3/16	9 1/2	11 1/2	6	1 7/8	
EXPWY	36	5/8	7/8	4C	3 1/4	2	13	15	7 1/2	2 1/4	



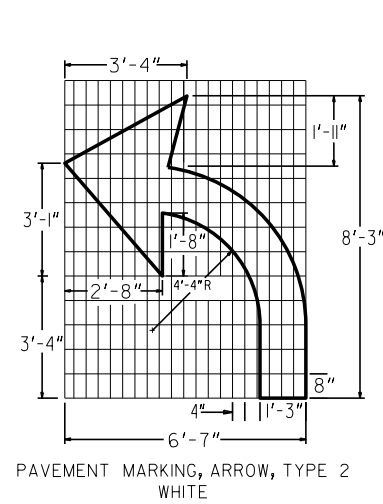
W560-3

SIGNS SHALL HAVE YELLOW REFLECTORIZED BACKGROUNDS WITH BLACK LEGENDS, BORDERS, AND SYMBOLS.

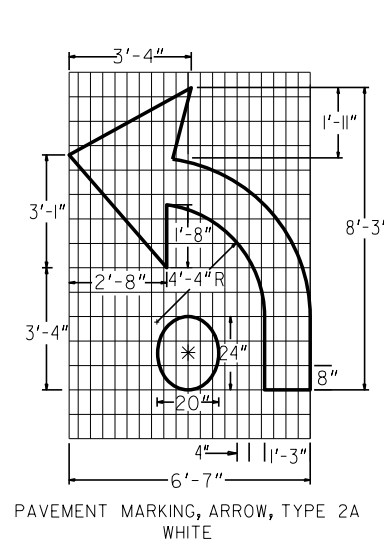
DATE	REVISIONS	GEORGIA DEPARTMENT OF TRANSPORTATION OFFICE OF TRAFFIC SAFETY & DESIGN
		DETAILS OF WARNING SIGNS
		NO SCALE
		JANUARY 2000



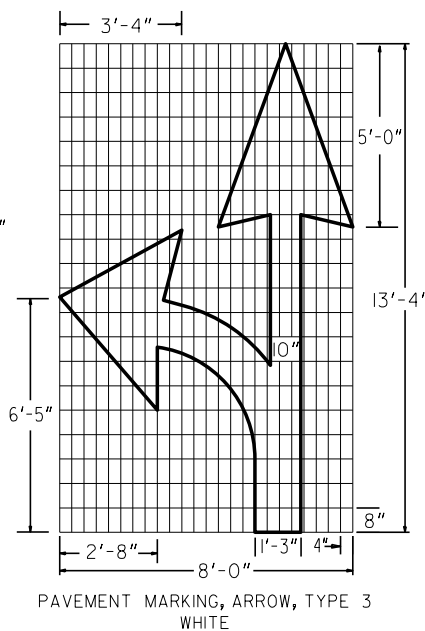
PAVEMENT MARKING, ARROW, TYPE 1 WHITE



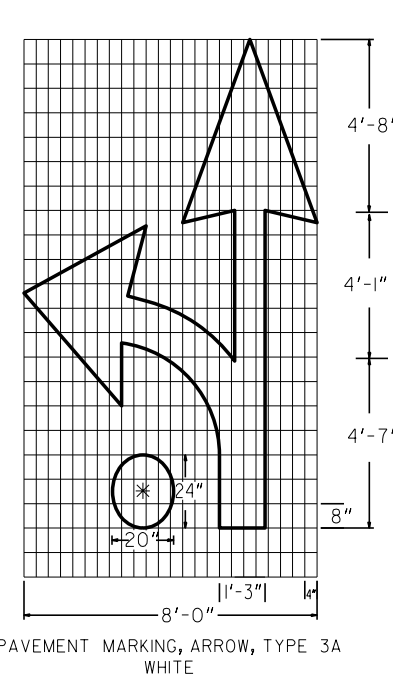
PAVEMENT MARKING, ARROW, TYPE 2 WHITE



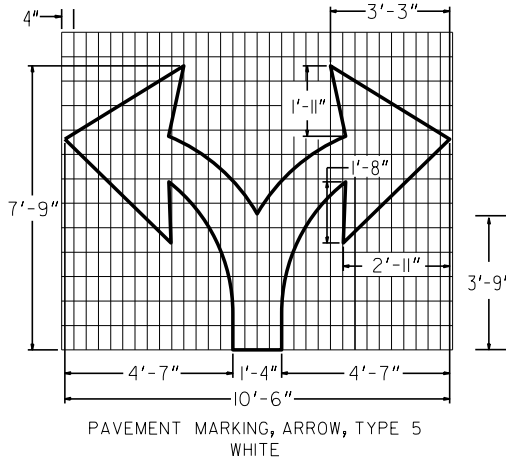
PAVEMENT MARKING, ARROW, TYPE 2A WHITE



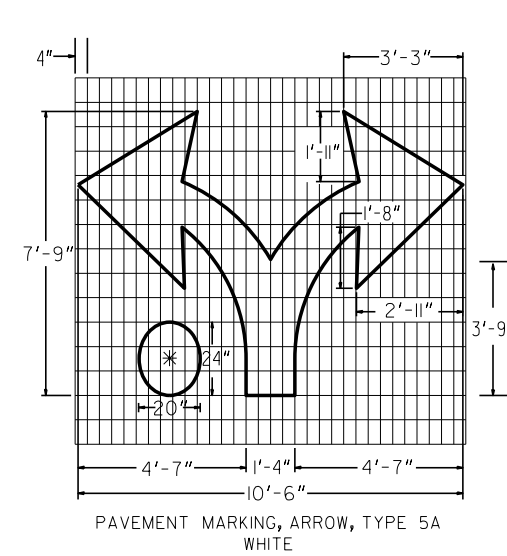
PAVEMENT MARKING, ARROW, TYPE 3 WHITE



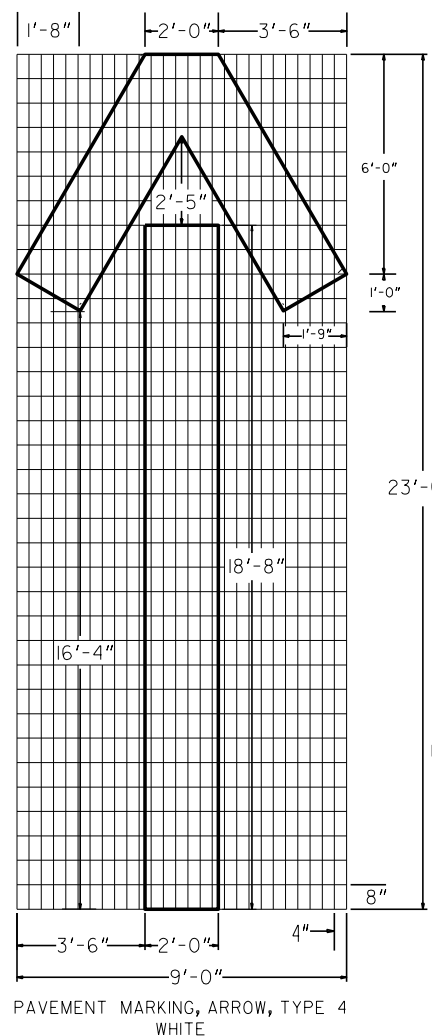
PAVEMENT MARKING, ARROW, TYPE 3A WHITE



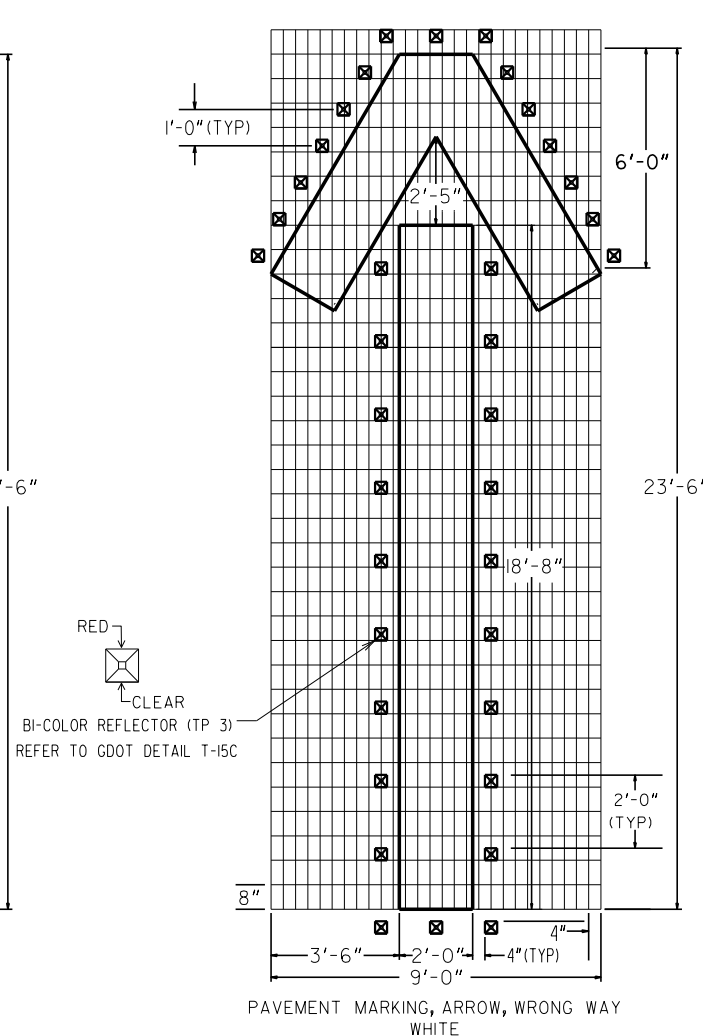
PAVEMENT MARKING, ARROW, TYPE 5 WHITE



PAVEMENT MARKING, ARROW, TYPE 5A WHITE

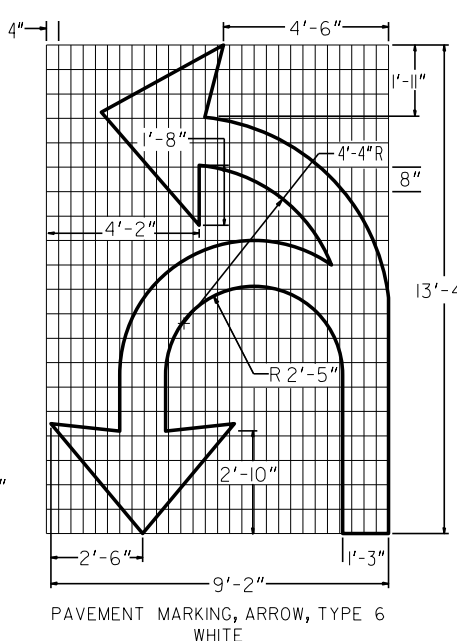


PAVEMENT MARKING, ARROW, TYPE 4 WHITE

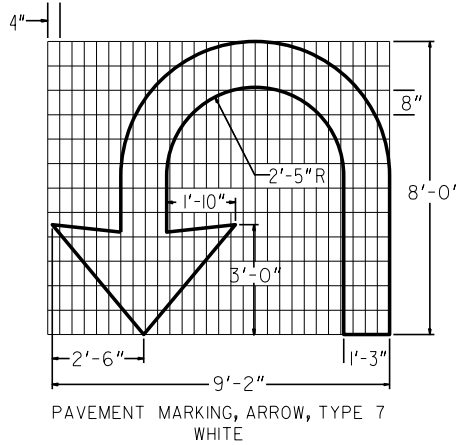


PAVEMENT MARKING, ARROW, WRONG WAY WHITE

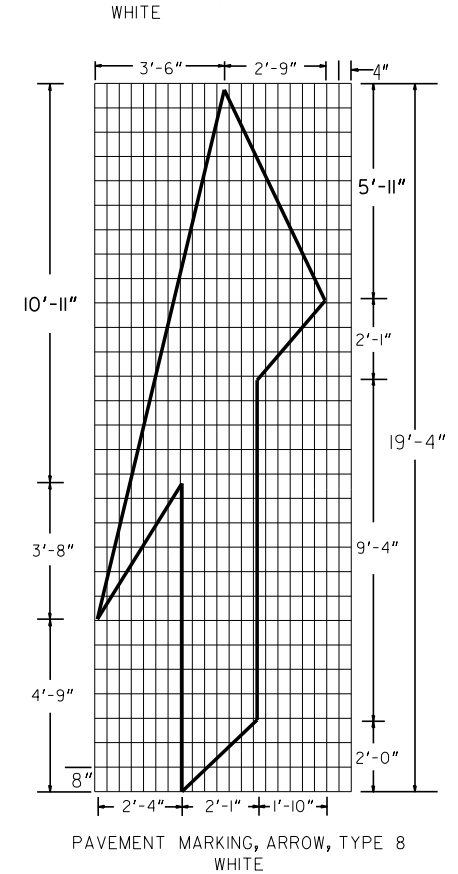
RED
CLEAR
BI-COLOR REFLECTOR (TP 3)
REFER TO GDOT DETAIL T-15C



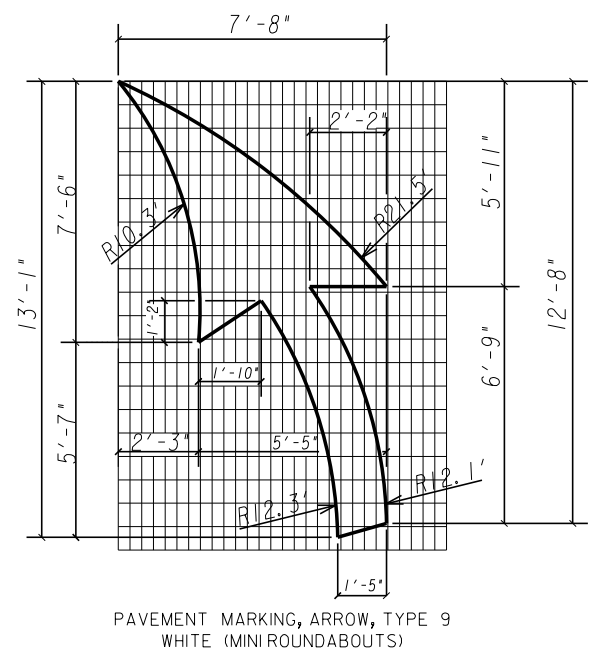
PAVEMENT MARKING, ARROW, TYPE 6 WHITE



PAVEMENT MARKING, ARROW, TYPE 7 WHITE



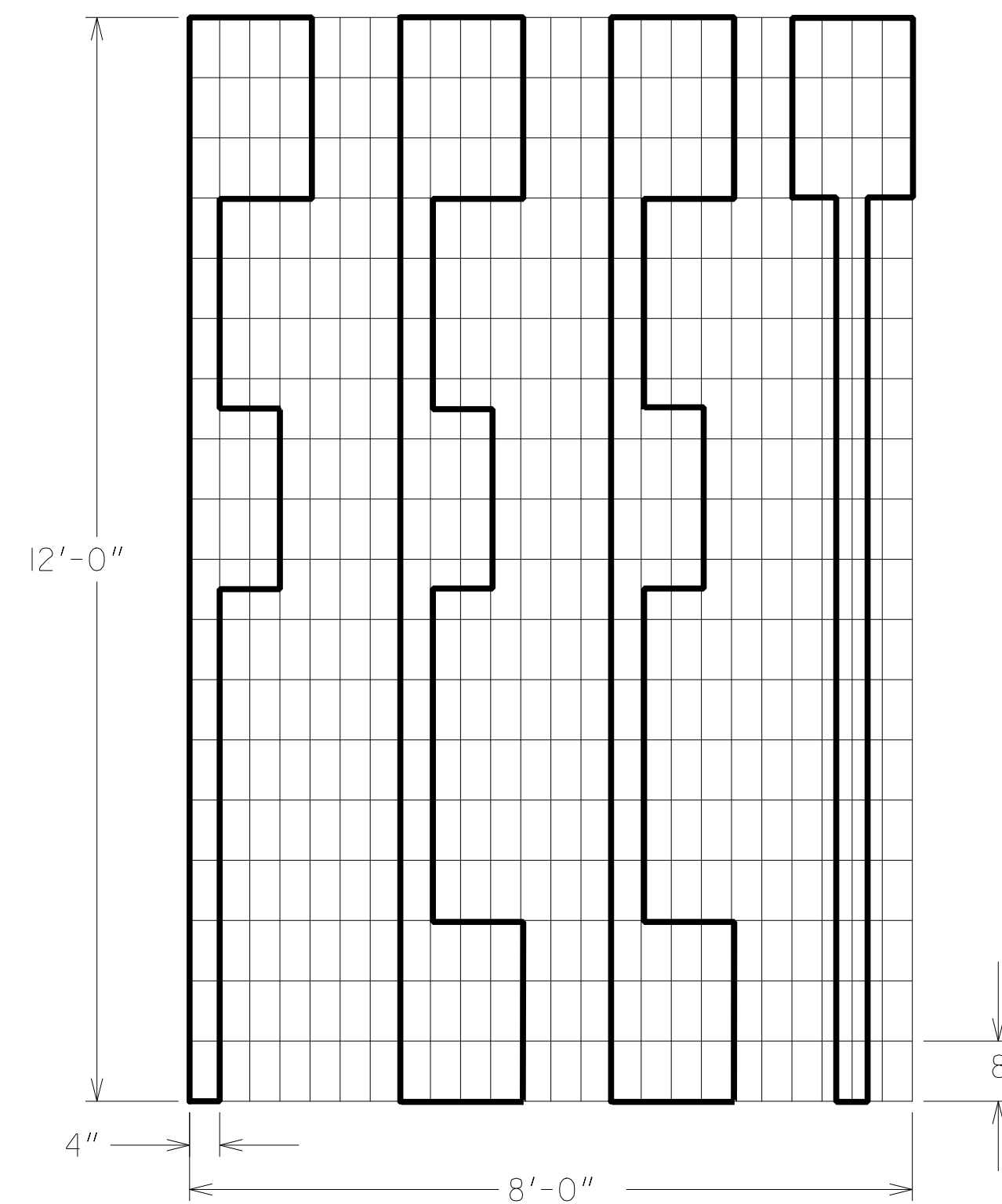
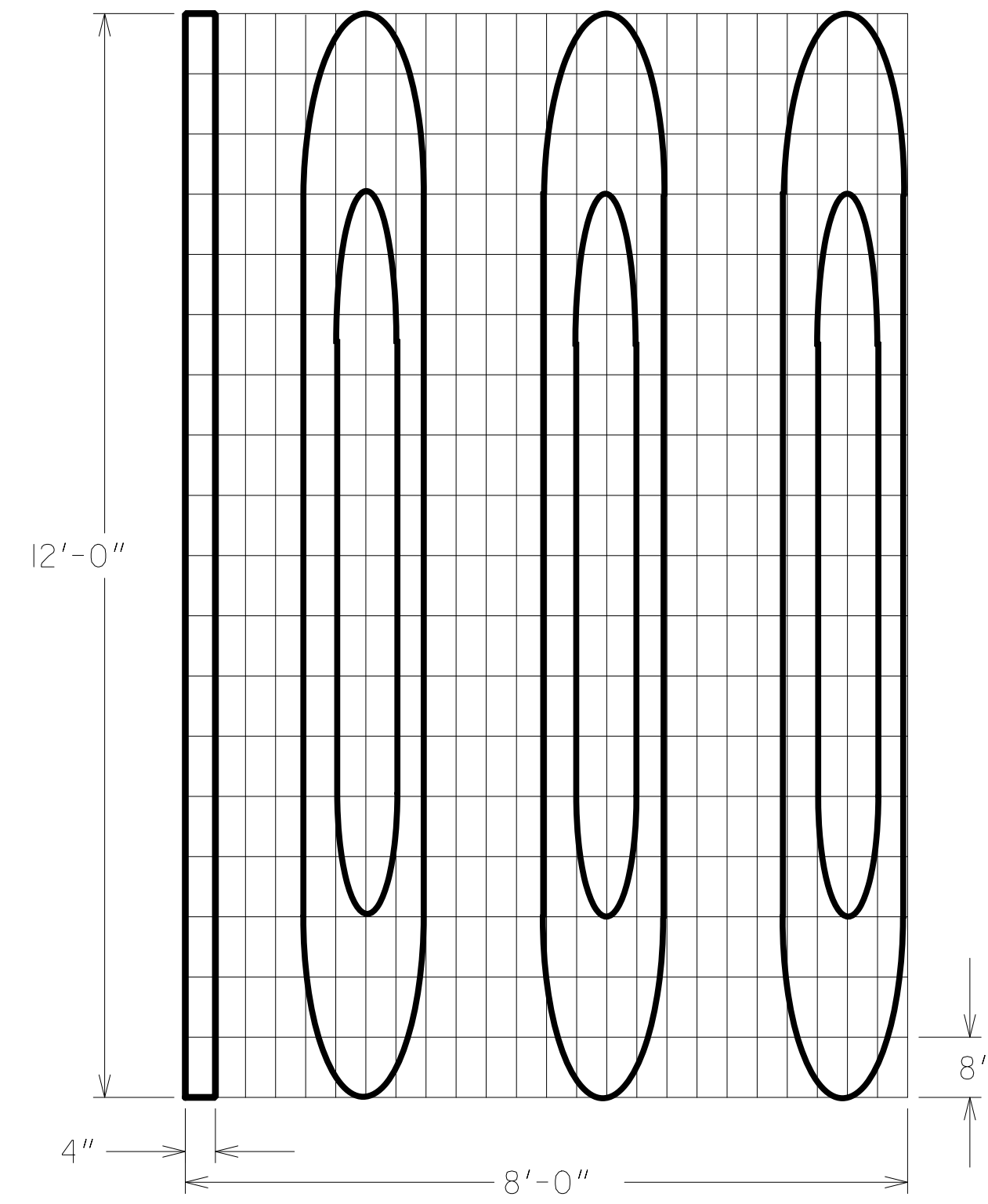
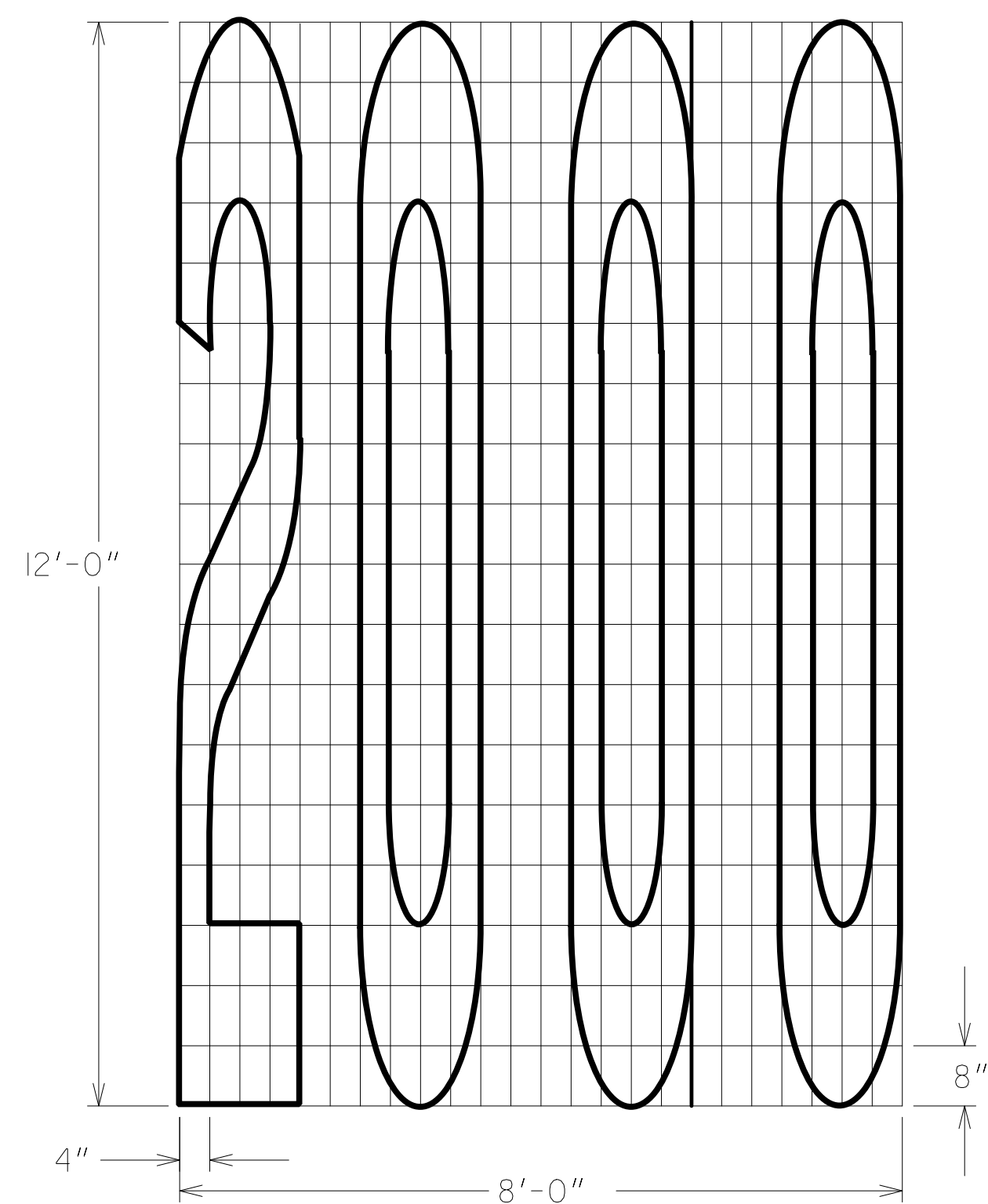
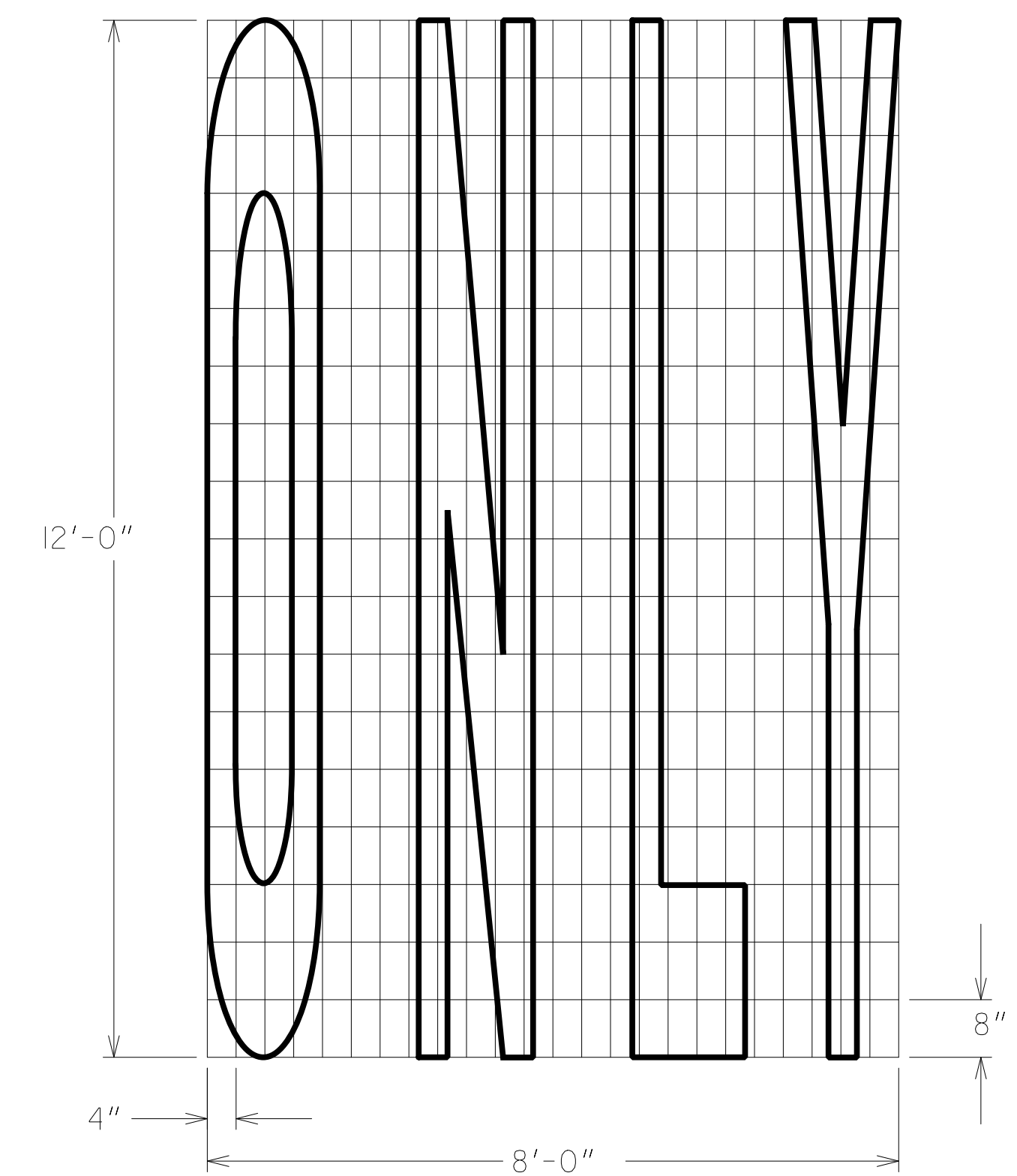
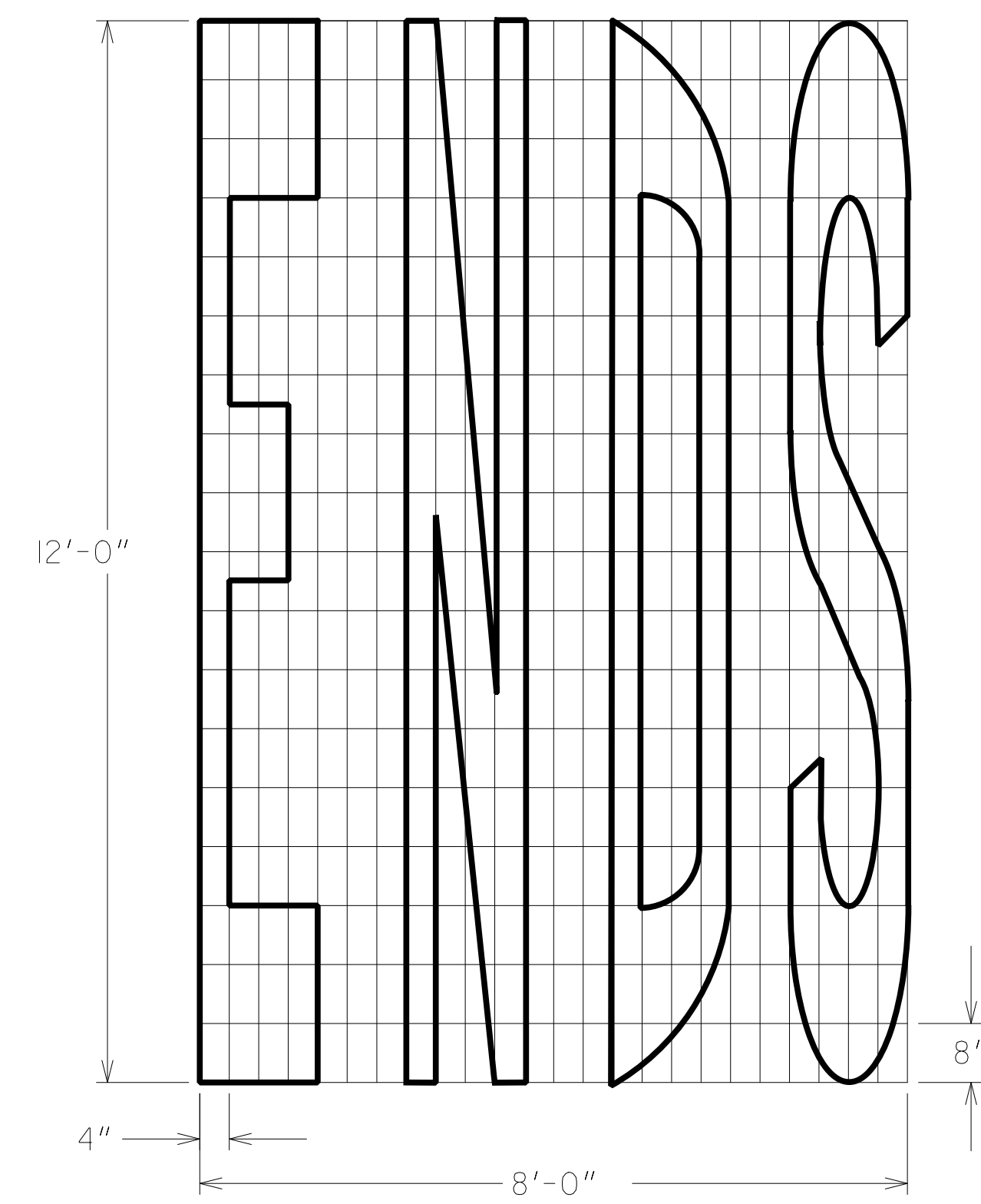
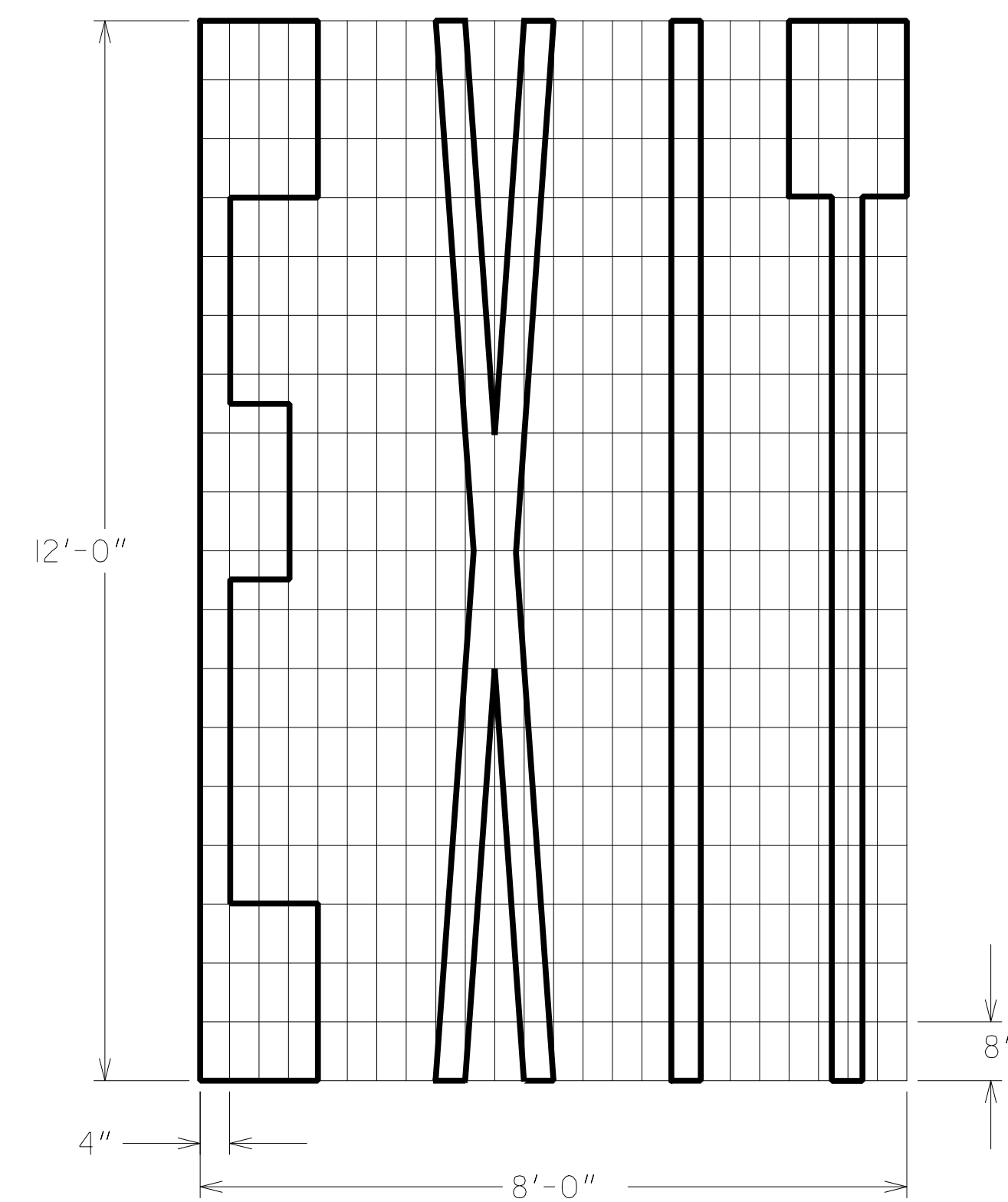
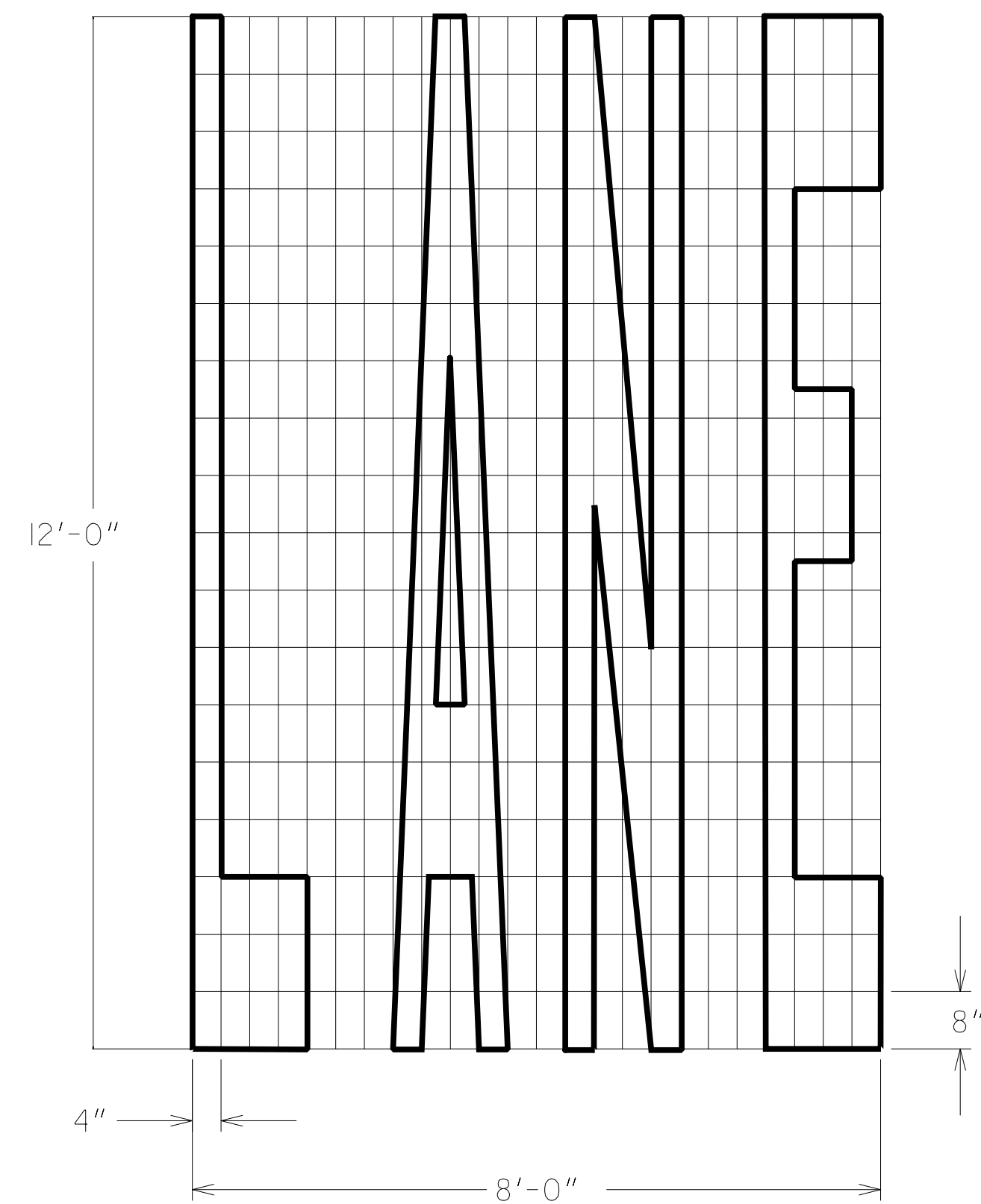
PAVEMENT MARKING, ARROW, TYPE 8 WHITE



PAVEMENT MARKING, ARROW, TYPE 9 WHITE (MINI ROUNDABOUTS)

NOTES
1. PAVEMENT MARKING ARROWS WITH A DOT (2A, 3A, 5A) SHALL BE USED ALONG MULTI-LANE ROUNDABOUT APPROACHES ALONG THE INSIDE LANE ONLY

11-04-20 05-30-19 04-11-00		DEPARTMENT OF TRANSPORTATION STATE OF GEORGIA	
ADDITIONAL PAVEMENT MARKING ARROWS FOR ROUNDABOUTS ON WIDENING WAYS ARROW		CONSTRUCTION DETAILS PAVEMENT MARKINGS - ARROWS	
NO SCALE		APRIL 2000	
ACP ACP ACP BY		DESIGNED DRAWN TRACED CHECKED	
NUMBER T-12B			



NOTE:
EACH OF THE PAVEMENT WORDS ON THIS DETAIL DEPICTS WORDS BASED ON A DESIGN SPEED OF 50-70 MPH. (A= 12 FT DISTANCE).

FOR DESIGN SPEEDS OF 35-45 MPH (A=8 FT DISTANCE), USE PAVEMENT WORDS WITH THE FOLLOWING DIMENSIONS: VERTICAL 8'-0" AND HORIZONTAL 5'-4".

SEE CONSTRUCTION DETAIL T-13C FOR SPEED LIMIT DISTANCE TABLE.

9-15-16		DATE		DEPARTMENT OF TRANSPORTATION STATE OF GEORGIA	
ADD PAVMT WORD *ONLY*		REVISION		CONSTRUCTION DETAILS	
REM (AREA SFI PER WORD)		NUMBER TO SH 2 OF 3		DETAILS OF PAVEMENT MARKING WORDS	
ADD WORD DIM NOTE A=8 FT		NO SCALE		SHEET 2 OF 3	
BY		DESIGNED		JANUARY 2000	
BY		DRAWN		NUMBER	
BY		TRACED		T-13B	
BY		CHECKED			

FEET

FEET

FEET

FEET

1000

2000

1000

2000

ENDS

ENDS

ENDS

ONLY

ONLY

LANE

LANE

LANE

EXIT

EXIT

B (TYP)

B (TYP)

B (TYP)

B (TYP)

B (TYP)

A (TYP)

A (TYP)

A (TYP)

A (TYP)

A (TYP)

TYPE 7

TYPE 10

TYPE 11

TYPE 12

TYPE 13

SPEED LIMIT	DISTANCE (FEET)	
	A	B
35	8	80
45	8	80
55+	12	120

NOTE:
REFER TO GDOT DETAIL T-13B, MUTCD
OR STANDARD HIGHWAY SIGNS GUIDE
FOR ADDITIONAL GUIDANCE

ADD TYPE 7 PAVT MARKING 09-13-19 REV TO DIMENSION TABLE 9-15-16 CDR REV TO EXIT ONLY 1000 FT REV TO EXIT ONLY 2000 FT REV DIST/SPEED LMT CHART REM AREA SF/WORD TOTAL REM NUMBER TO SH 3 OF 3 REVISION DATE		DEPARTMENT OF TRANSPORTATION STATE OF GEORGIA CONSTRUCTION DETAILS DETAILS OF PAVEMENT MARKING WORDS PLACEMENT NO SCALE SHEET 3 OF 3 JANUARY 2000	
BY DESIGNED _____ DRAWN _____ TRACED _____ CHECKED _____		NUMBER T-13C	

FEET

FEET

FEET

FEET

1000

2000

1000

2000

ENDS

ENDS

ENDS

ONLY

ONLY

LANE

LANE

LANE

EXIT

EXIT

B (TYP)

B (TYP)

B (TYP)

B (TYP)

B (TYP)

A (TYP)

A (TYP)

A (TYP)

A (TYP)

A (TYP)

TYPE 7

TYPE 10

TYPE 11

TYPE 12

TYPE 13

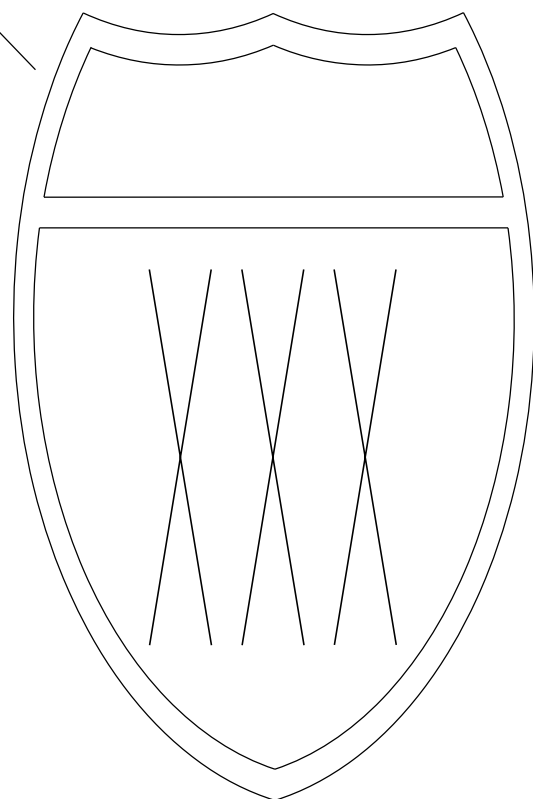
SPEED LIMIT	DISTANCE (FEET)	
	A	B
35	8	80
45	8	80
55+	12	120

NOTE:
REFER TO GDOT DETAIL T-13B, MUTCD
OR STANDARD HIGHWAY SIGNS GUIDE
FOR ADDITIONAL GUIDANCE

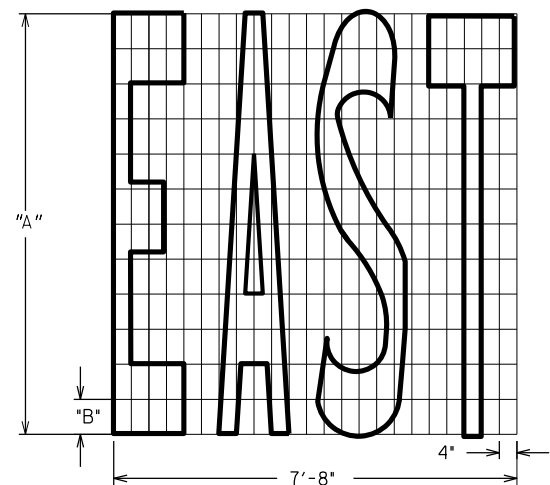
ADD TYPE 7 PAVT MARKING 09-13-19 REV TO DIMENSION TABLE 9-15-16 CDR REV TO EXIT ONLY 1000 FT REV TO EXIT ONLY 2000 FT REV DIST/SPEED LMT CHART REM AREA SF/WORD TOTAL REM NUMBER TO SH 3 OF 3 REVISION DATE		DEPARTMENT OF TRANSPORTATION STATE OF GEORGIA CONSTRUCTION DETAILS DETAILS OF PAVEMENT MARKING WORDS PLACEMENT NO SCALE SHEET 3 OF 3 JANUARY 2000	
BY DESIGNED _____ DRAWN _____ TRACED _____ CHECKED _____		NUMBER T-13C	

INTERSTATE SHIELD AND WORDS PAVEMENT DETAILS

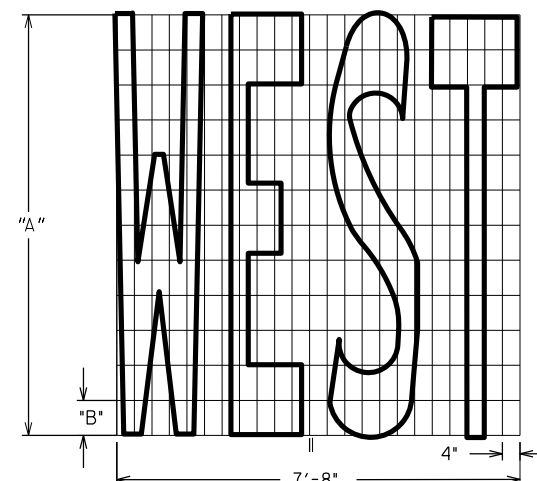
REFER TO MUTCD
STANDARD HIGHWAY SIGNS GUIDE
FOR DIMENSIONS



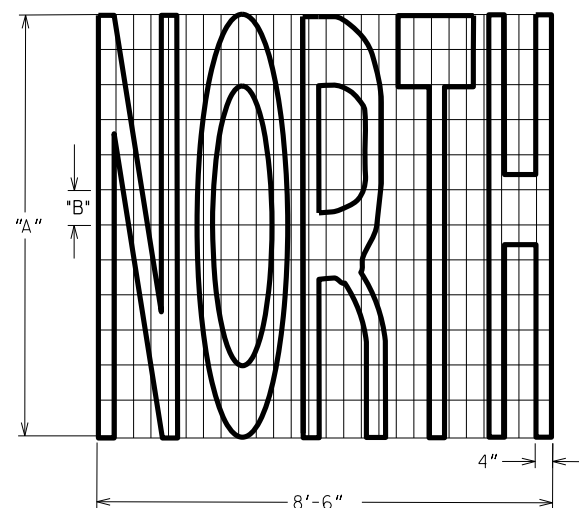
TYPE 5



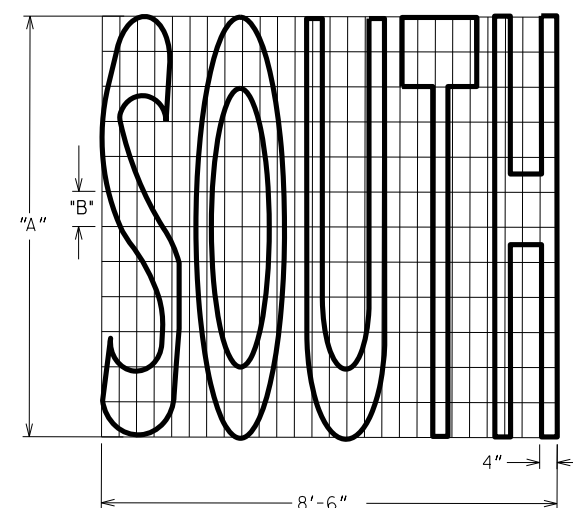
TYPE 21



TYPE 22

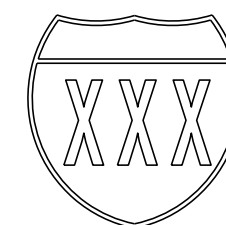
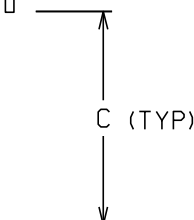
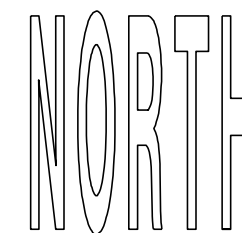


TYPE 23



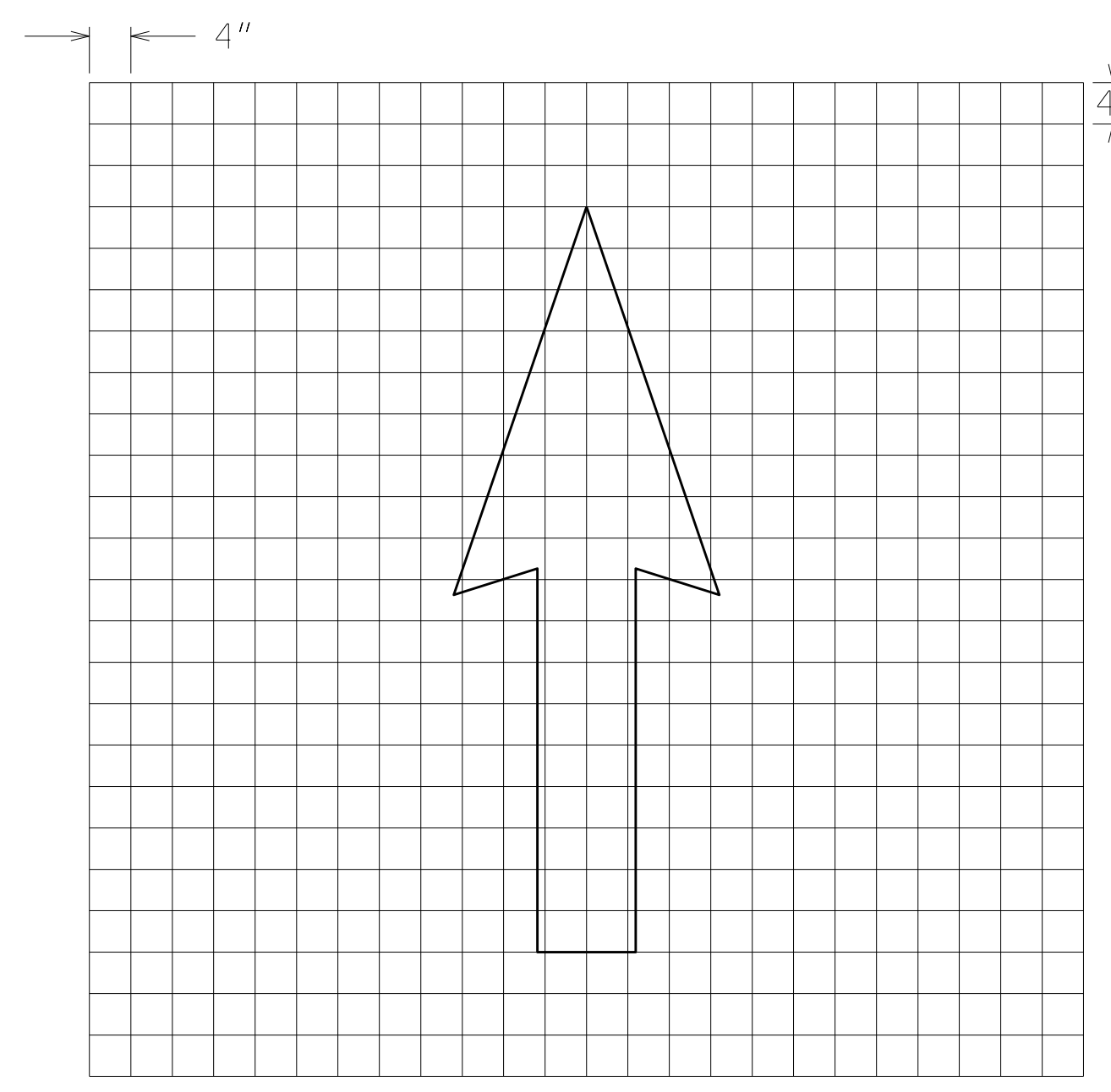
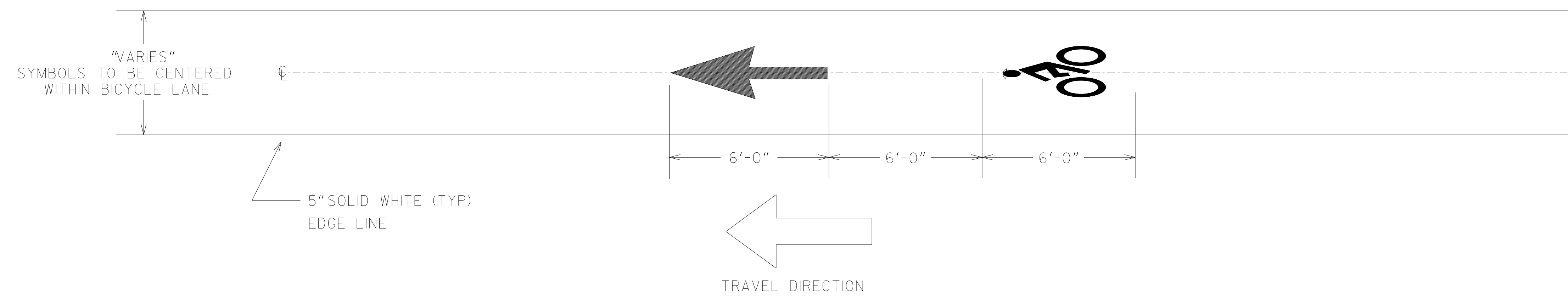
TYPE 24

SPEED LIMIT	DIMENSIONS		
	A	B	C
<50	8'	8"	80'
50+	12'	12"	120'

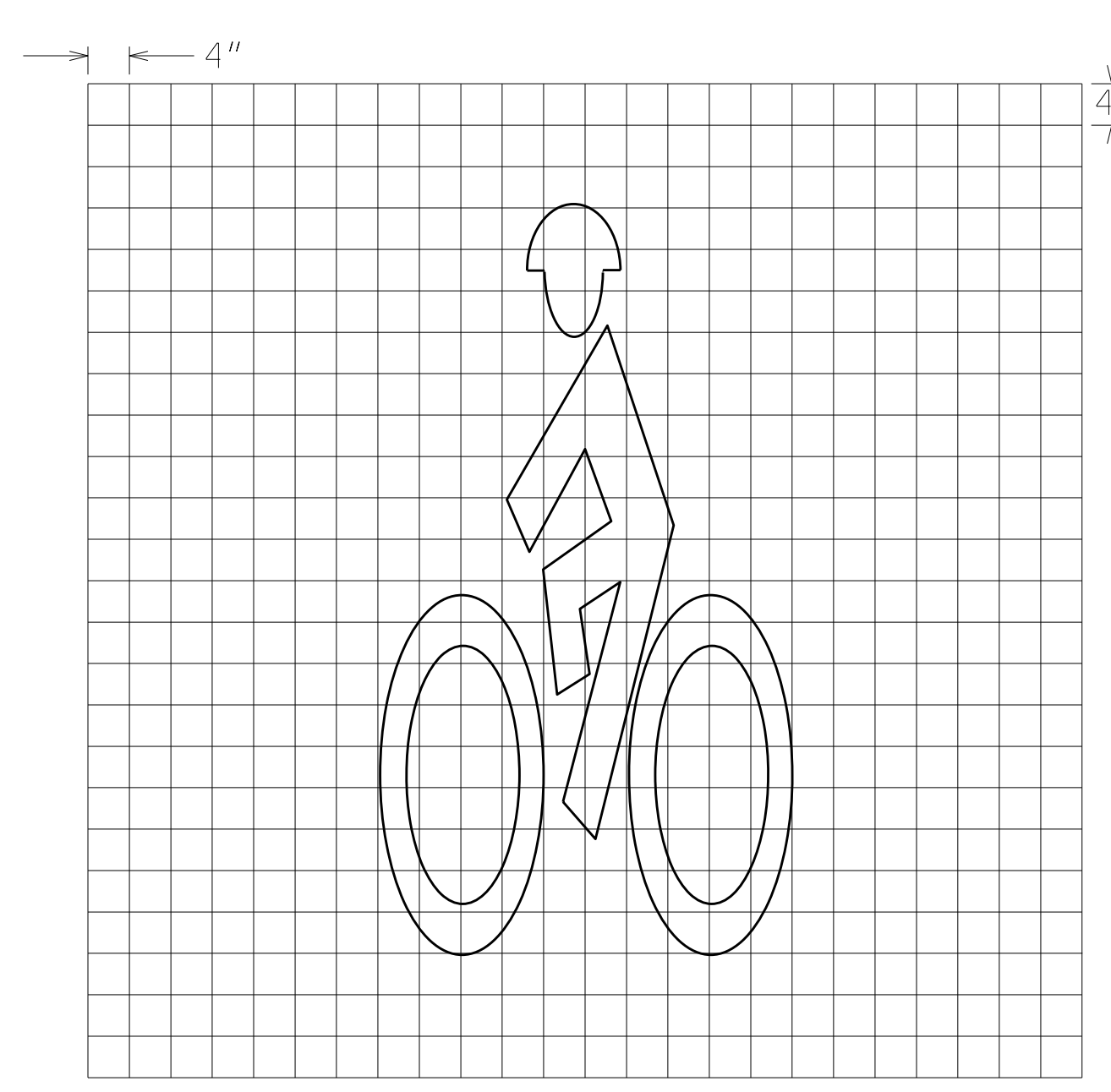


NOTE: SEE PLANS FOR LOCATIONS

DEPARTMENT OF TRANSPORTATION STATE OF GEORGIA	
CONSTRUCTION DETAILS PAVEMENT MARKINGS - INTERSTATE SHIELDS AND WORDS	
NO SCALE September 2019	
BY: DESIGNED _____ DRAWN <u>ACP</u> TRACED _____ CHECKED <u>JHR</u>	NUMBER T-13D



TYPE 1 ARROW - BICYCLE LANE



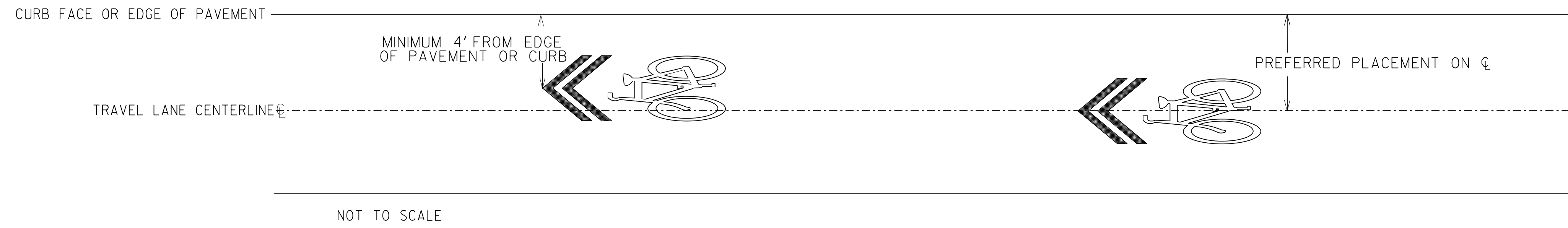
TYPE 4 SYMBOL - BICYCLE LANE

GENERAL NOTES:

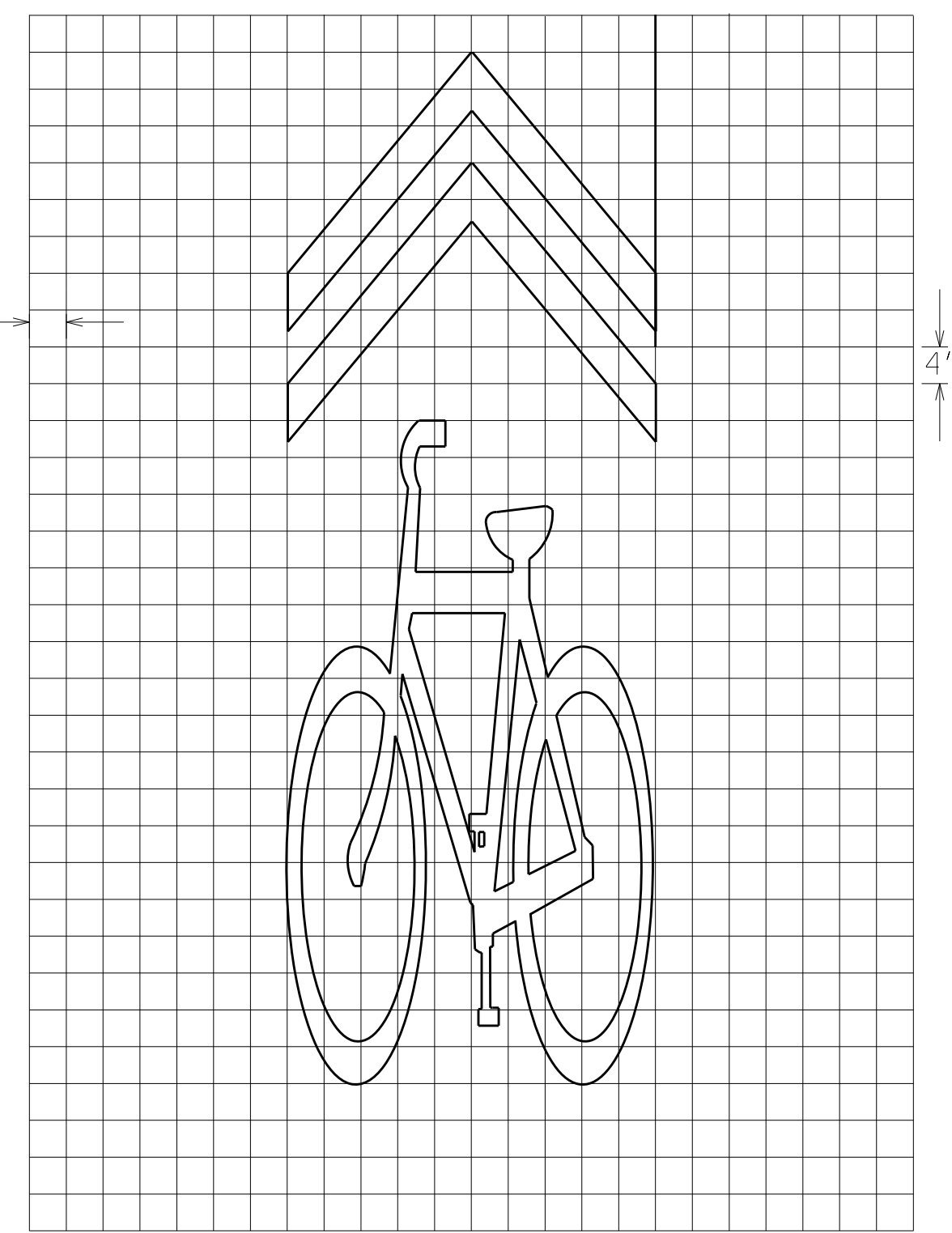
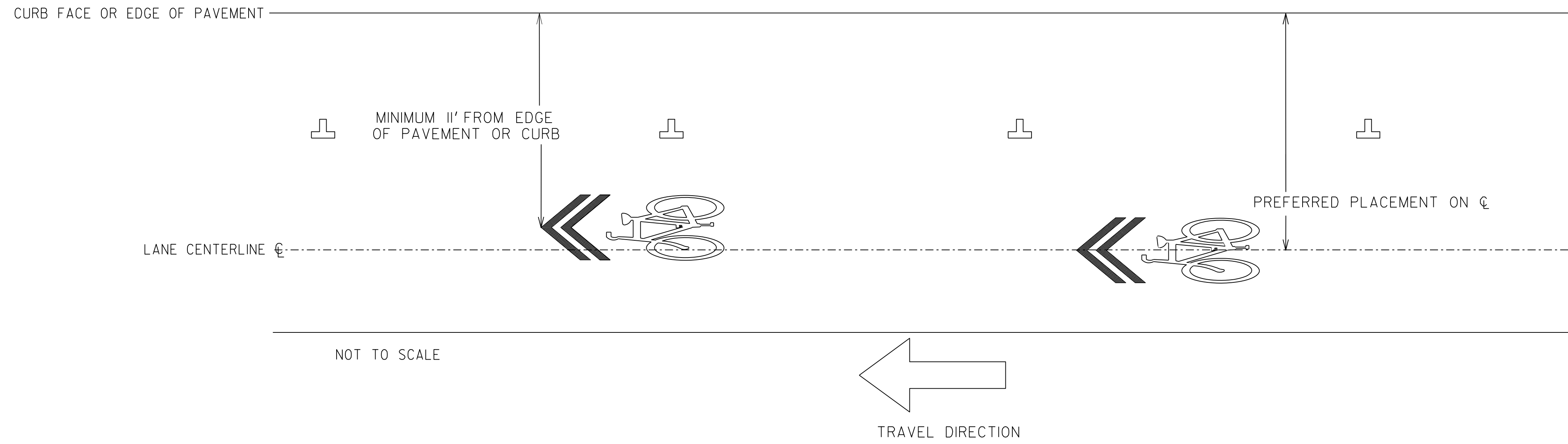
1. BICYCLE LANE SYMBOLS SHALL BE PLACED ON THE FAR SIDE OF EACH INTERSECTION 6 FEET BEYOND THE CROSS WALK OR END OF INTERSECTING ROAD RADII. ADDITIONAL SYMBOLS MAY BE PLACED ON LONG, UNINTERRUPTED SECTIONS OF ROADWAY BASED ON ENGINEERING JUDGEMENT.
2. ALL BICYCLE LANE PAVEMENT SYMBOLS SHALL BE HOT APPLIED PREFORMED PLASTIC (THERMOPLASTIC - 659) FOR BOTH ASPHALT AND CONCRETE PAVEMENTS.
3. BICYCLE LANE EDGE LINE SHALL MATCH THE PAVEMENT MARKING TYPE SPECIFIED BY THE PAVEMENT MARKING SELECTION CHART IN SECTION 12 OF THE SIGNING AND MARKING DESIGN GUIDELINES.
4. FOR ADDITIONAL INFORMATION REFER TO MANUAL ON UNIFORM TRAFFIC CONTROL DEVICES, CURRENT EDITION, AND AASHTO GUIDE FOR THE DEVELOPMENT OF BICYCLE FACILITIES, CURRENT EDITION.

Rev. 2009 MUTCD Manual	3-30-16	DATE	DEPARTMENT OF TRANSPORTATION STATE OF GEORGIA	
REVISION			CONSTRUCTION DETAILS DETAILS OF BICYCLE LANE PAVEMENT MARKINGS	
HAC	BY	DESIGNED _____ DRAWN _____ TRACED _____ CHECKED _____	NO SCALE	JANUARY 2000
				NUMBER T-16

SHARED LANE ARROW PLACEMENT WITH NO STREET PARKING



SHARED LANE ARROW PLACEMENT WITH ON STREET PARKING



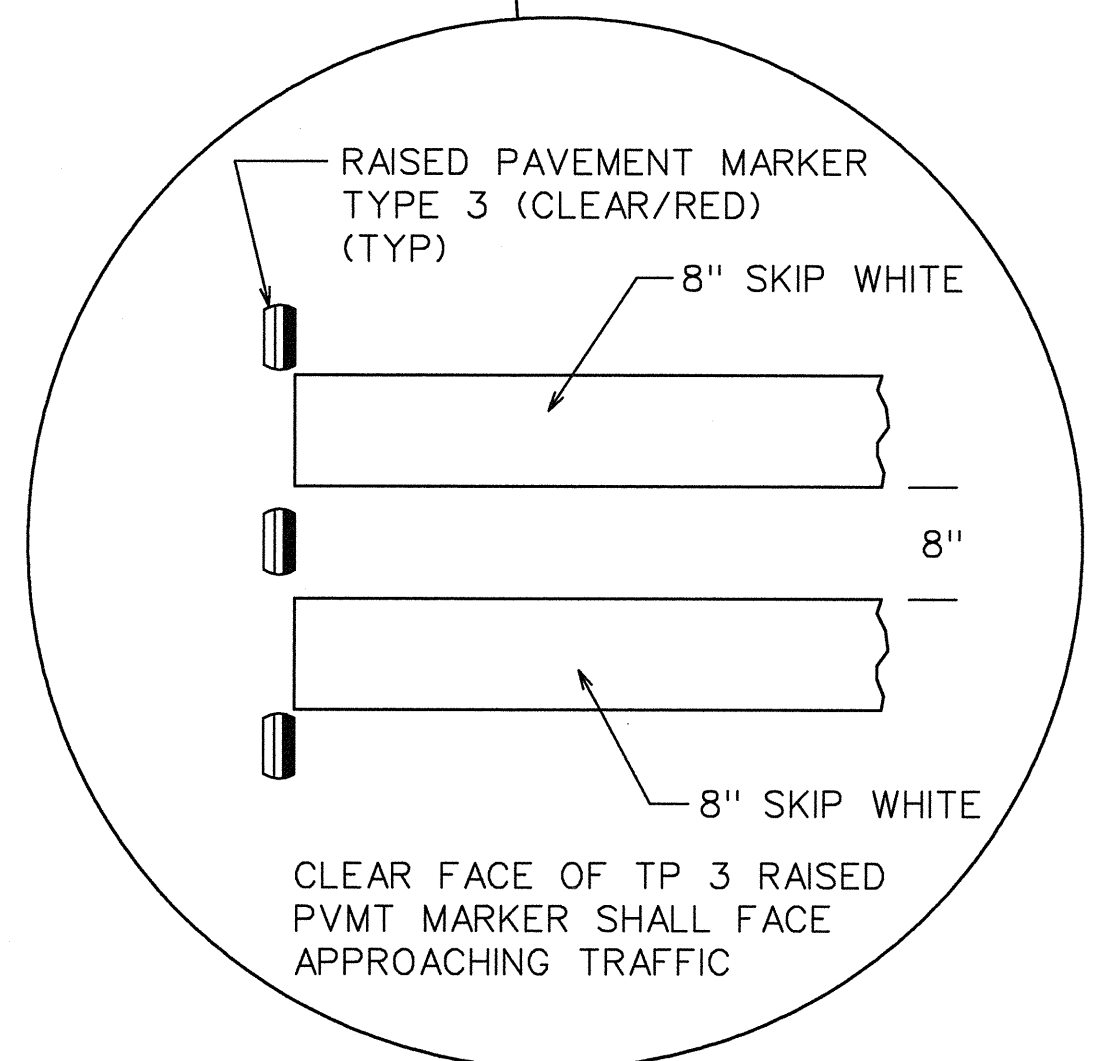
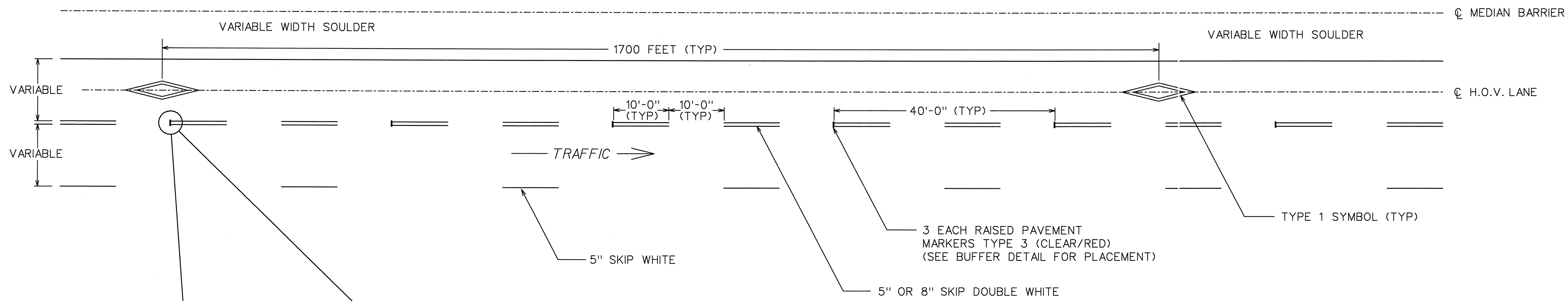
BIKE SHARED LANE SYMBOL

GENERAL NOTES:

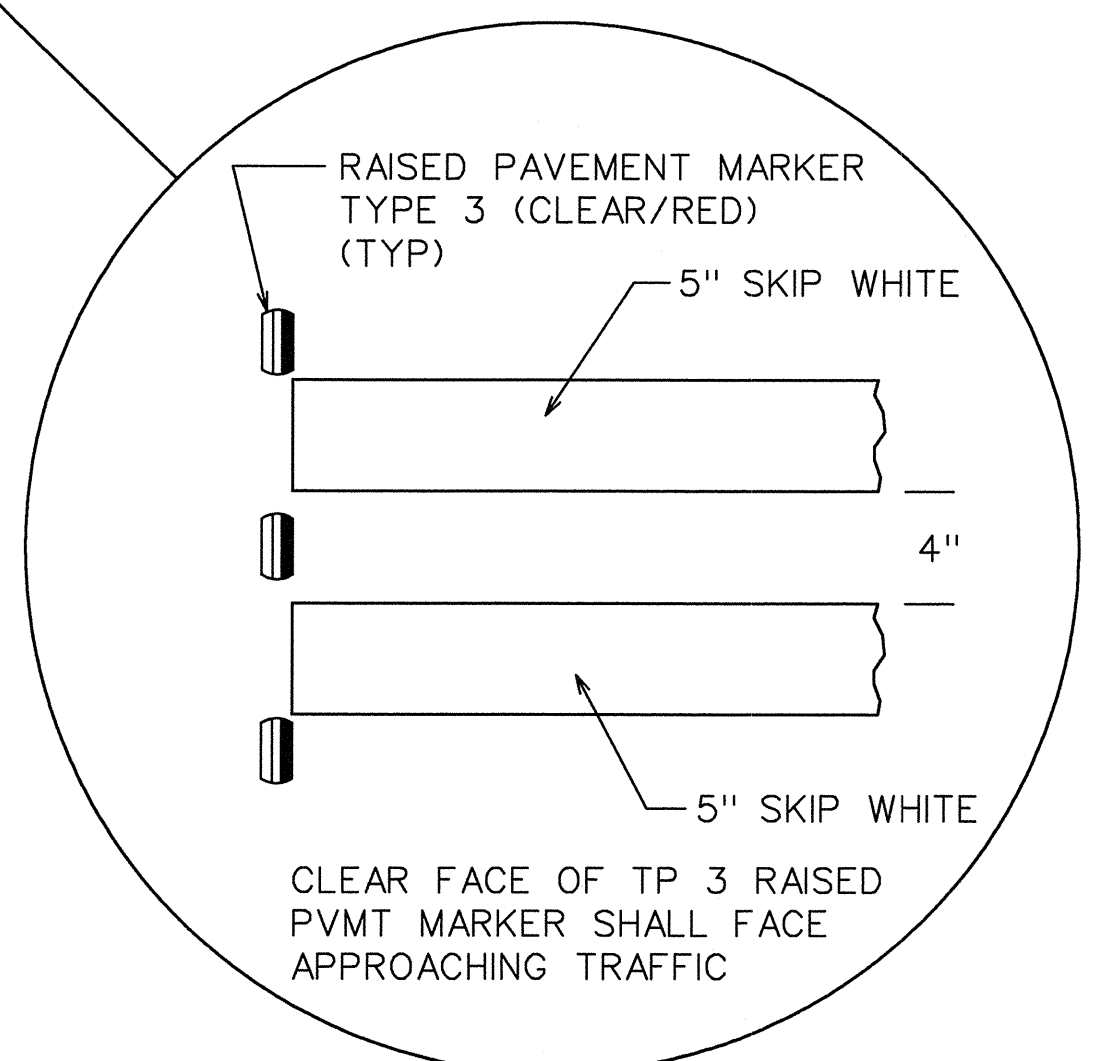
1. SHARED LANE MARKINGS SHALL BE PLACED ON THE FAR SIDE OF EACH INTERSECTION 6 FEET BEYOND THE CROSS WALK OR END OF INTERSECTING ROAD RADII. ADDITIONAL SYMBOLS SHOULD BE PLACED NOT GREATER THAN EVERY 250 FEET THEREAFTER.
2. SHARED LANE MARKINGS SHALL NOT BE PLACED ON SHOULDERS OR IN DESIGNATED BIKE LANES.
3. ALL SHARED BICYCLE LANE PAVEMENT SYMBOLS SHALL BE HOT APPLIED PREFORMED PLASTIC (THERMOPLASTIC - 659) FOR BOTH ASPHALT AND CONCRETE PAVEMENTS.
4. FOR ADDITIONAL INFORMATION REFER TO MANUAL ON UNIFORM TRAFFIC CONTROL DEVICES, CURRENT EDITION, AND AASHTO GUIDE FOR THE DEVELOPMENT OF BICYCLE FACILITIES, CURRENT EDITION.

		DEPARTMENT OF TRANSPORTATION STATE OF GEORGIA	
		CONSTRUCTION DETAILS DETAILS OF SHARED BICYCLE LANE	
		NO SCALE	3-30-16
BY	DESIGNED _____ DRAWN _____ TRACED _____ CHECKED _____	NUMBER T-16A	

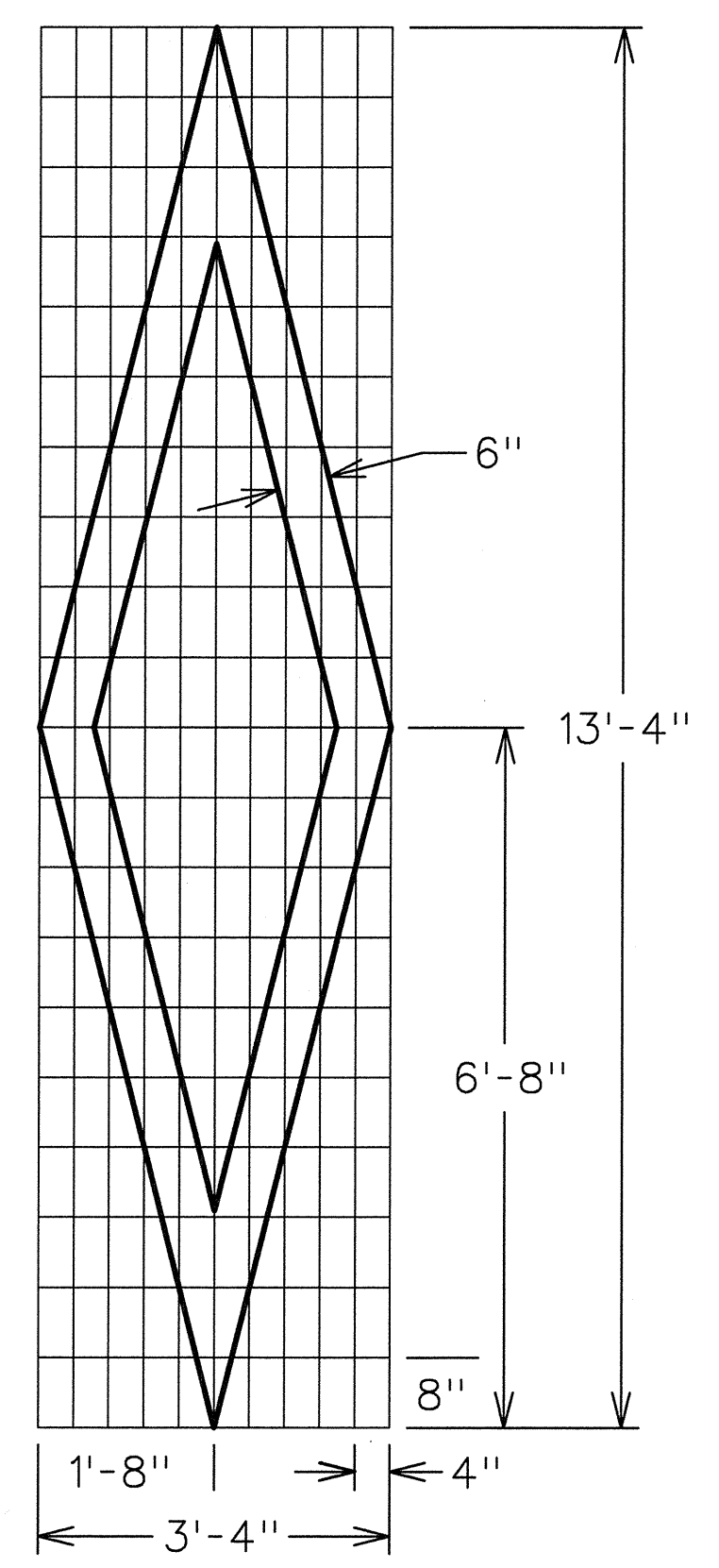
STATE	PROJECT NUMBER	SHEET NO.	TOTAL SHEETS
GA.			



24 INCH BUFFER DETAIL

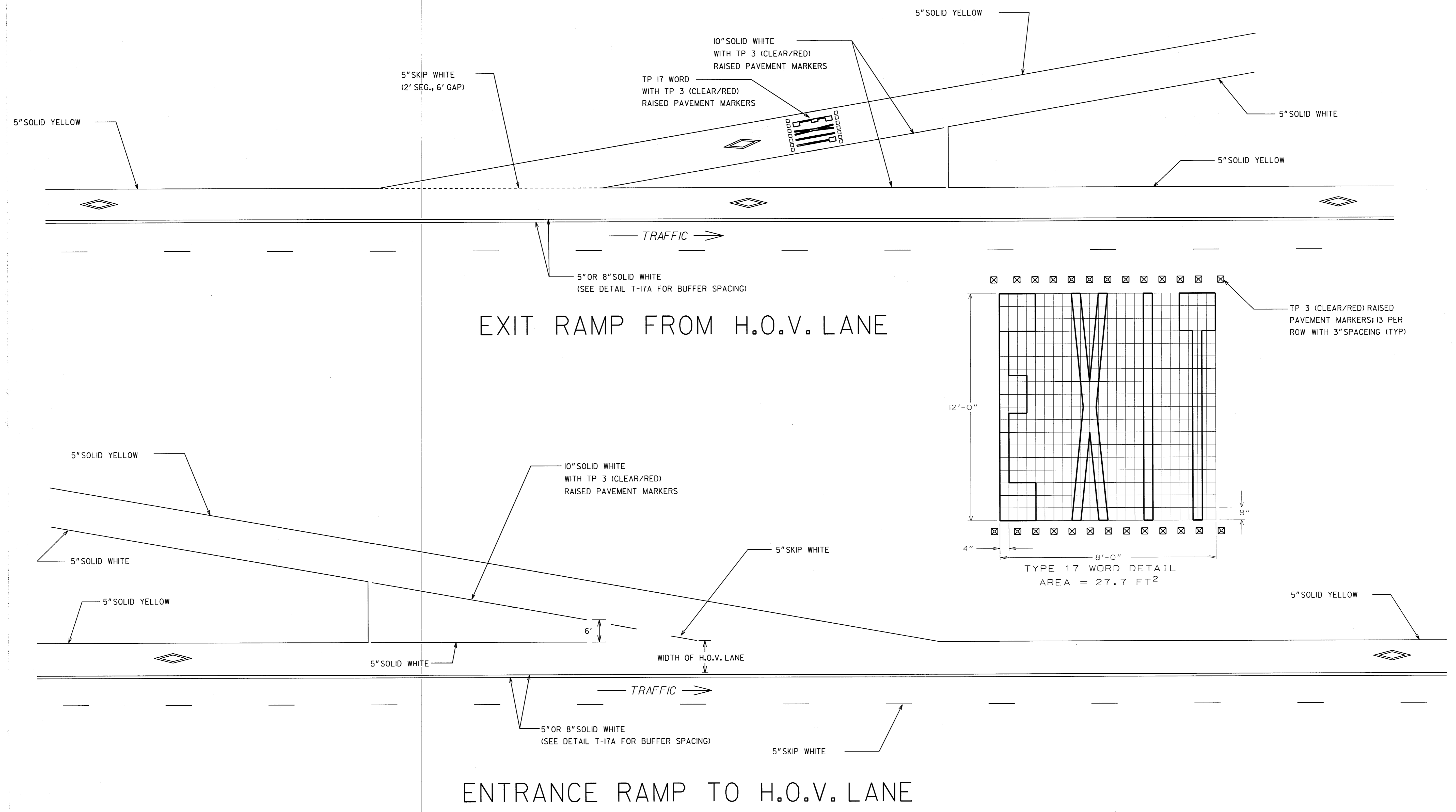


14 INCH BUFFER DETAIL



TYPE 1 SYMBOL DETAIL

DATE	REVISIONS	GEORGIA DEPARTMENT OF TRANSPORTATION OFFICE OF TRAFFIC SAFETY & DESIGN
		DETAILS OF H.O.V. LANE PAVEMENT MARKINGS
		NO SCALE JANUARY 2000



NOTES:
 1. TP 3 (CLEAR/RED) RAISED PAVEMENT MARKERS SHALL BE PAID FOR SEPARATELY

GEORGIA
 DEPARTMENT
 OF
 TRANSPORTATION

- NO SCALE -

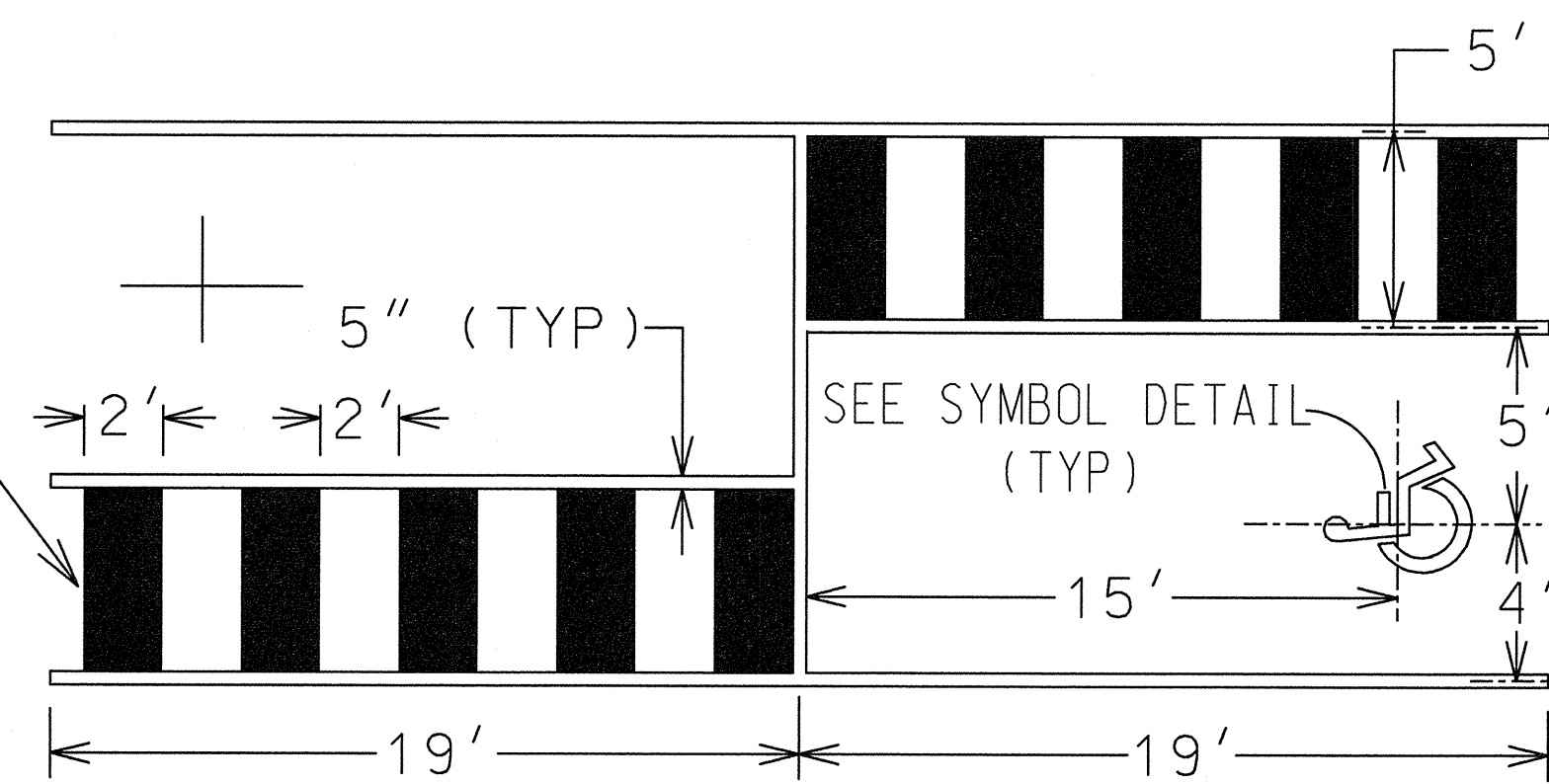
DATE	REVISIONS
9/26/01	DELETED SKIP LINES IN HOV BUFFER
1/18/05	CHANGED BORDER
11/04/08	ADDED TP 17 WORD, WITH RPM'S
09/16/09	REVISED STRIPE CALLOUT

STATE OF GEORGIA
 DEPARTMENT OF TRANSPORTATION
 OFFICE: TRAFFIC OPERATIONS
SIGNING AND MARKING PLANS
 DETAILS OF H.O.V. GORE AREA
 PAVEMENT MARKINGS JANUARY 2000

T-17B
 NUMBER
T-17B

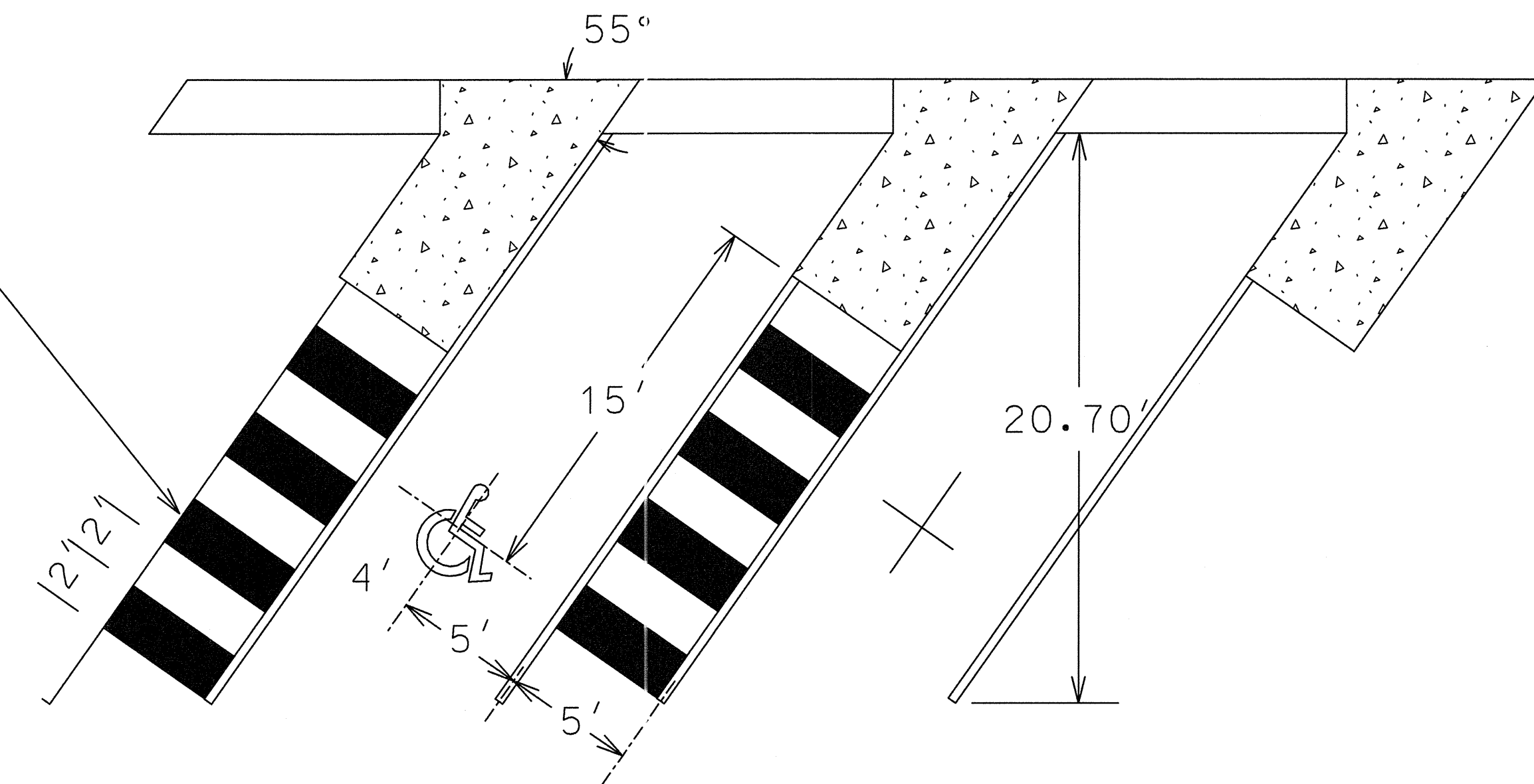
STATE	PROJECT NUMBER	SHEET NO.	TOTAL SHEETS
GA.			

REQ'D. 6.22 SQ. YDS.- WHITE *
(PER EACH PARKING SPACE)



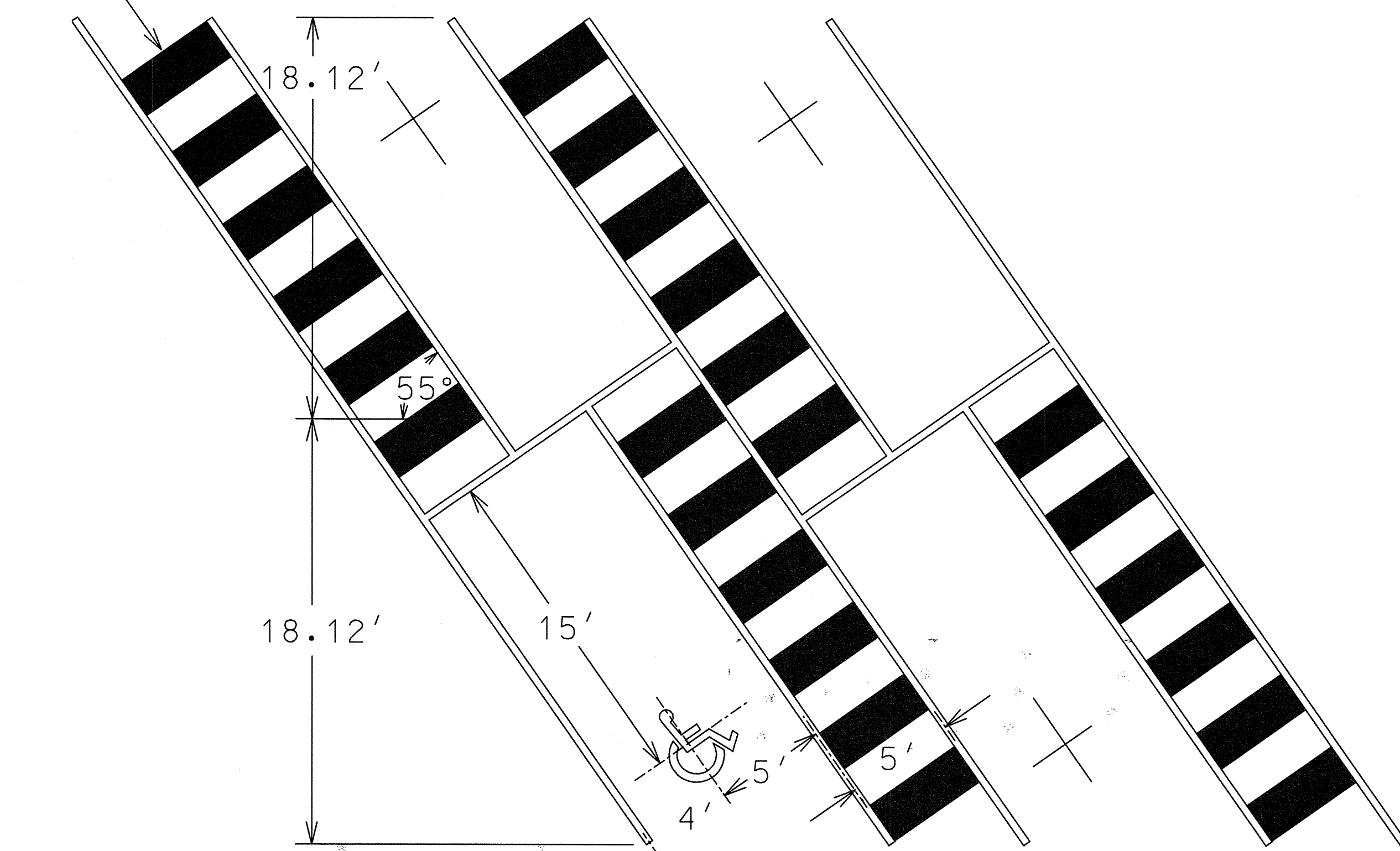
PERPENDICULAR PARKING

REQ'D. 4.15 SQ. YDS.- WHITE *
(PER EACH PARKING SPACE)

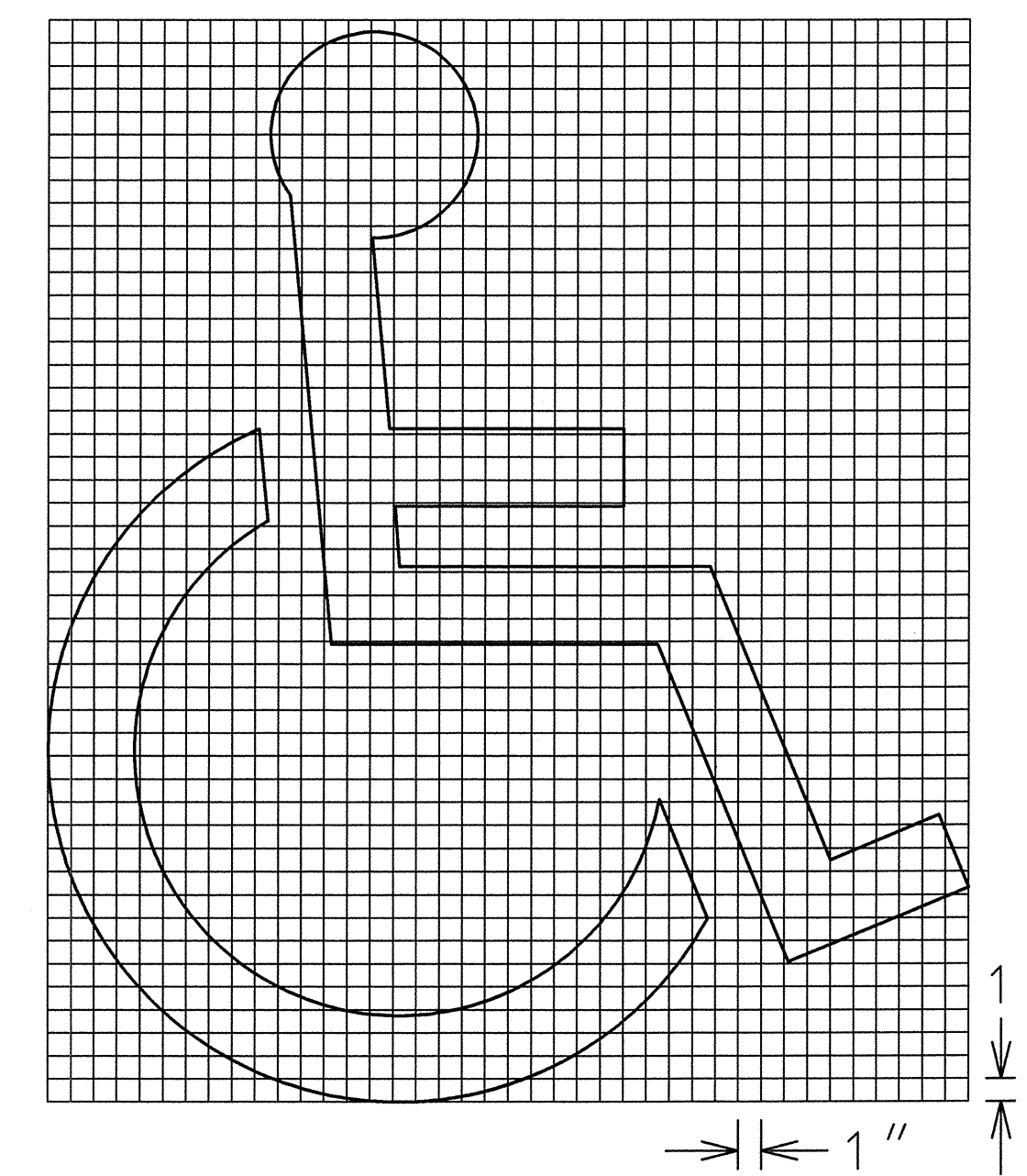


SINGLE ROW 55° ANGULAR PARKING
WITH RAMP

REQ'D. 5.19 SQ. YDS.- WHITE *
(PER EACH PARKING SPACE)



DOUBLE ROW 55° ANGULAR PARKING



HANDICAPPED SYMBOL DETAIL
- NO SCALE -

* SQ. YDS. STRIPING MEASUREMENT SHALL BEGIN AND END WITH A MARKED STRIPE AND SHALL NOT INCLUDE PARKING LANE LINES. PARKING LANE LINES SHALL BE PAID FOR PER LINEAR FOOT.

DATE	REVISIONS	GEORGIA DEPARTMENT OF TRANSPORTATION OFFICE OF TRAFFIC SAFETY & DESIGN
		DETAILS OF HANDICAPPED PAVEMENT MARKINGS
		NO SCALE JANUARY 2000