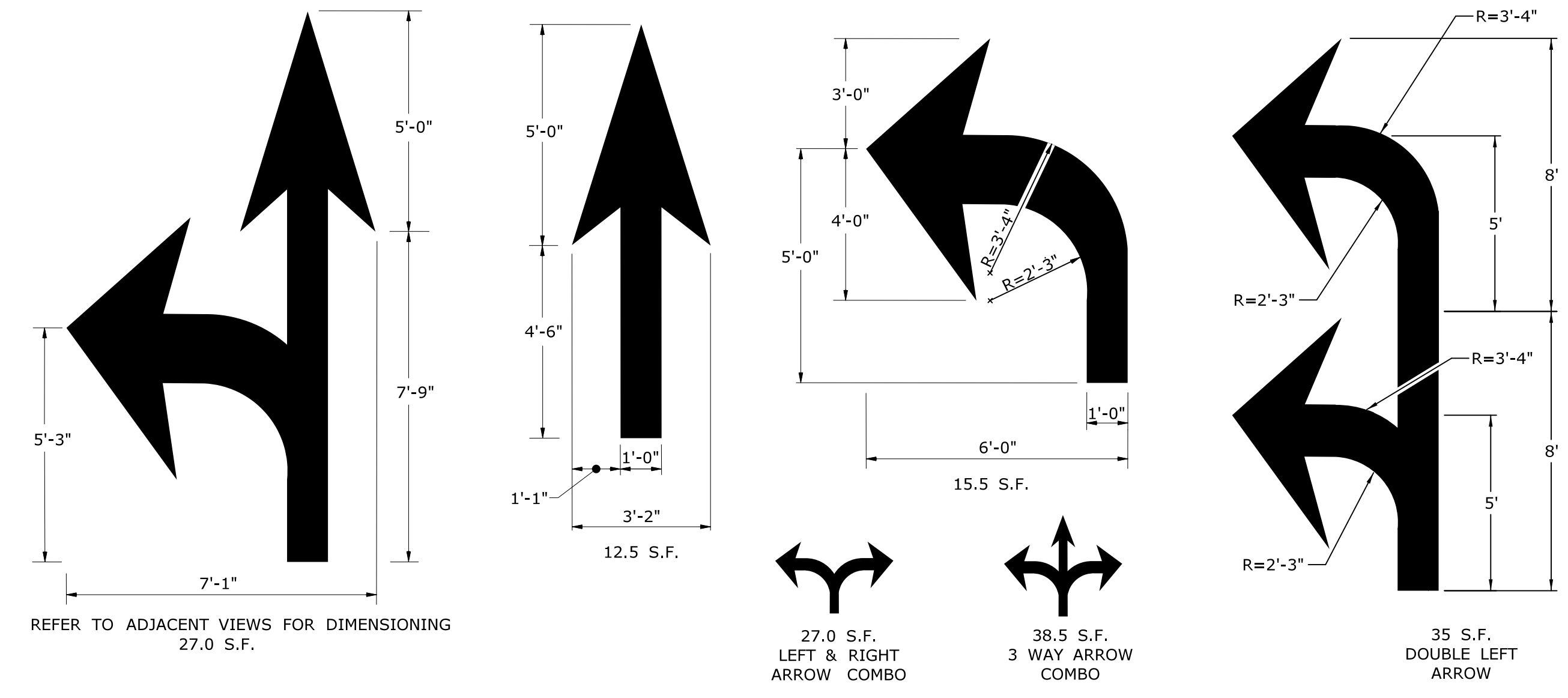
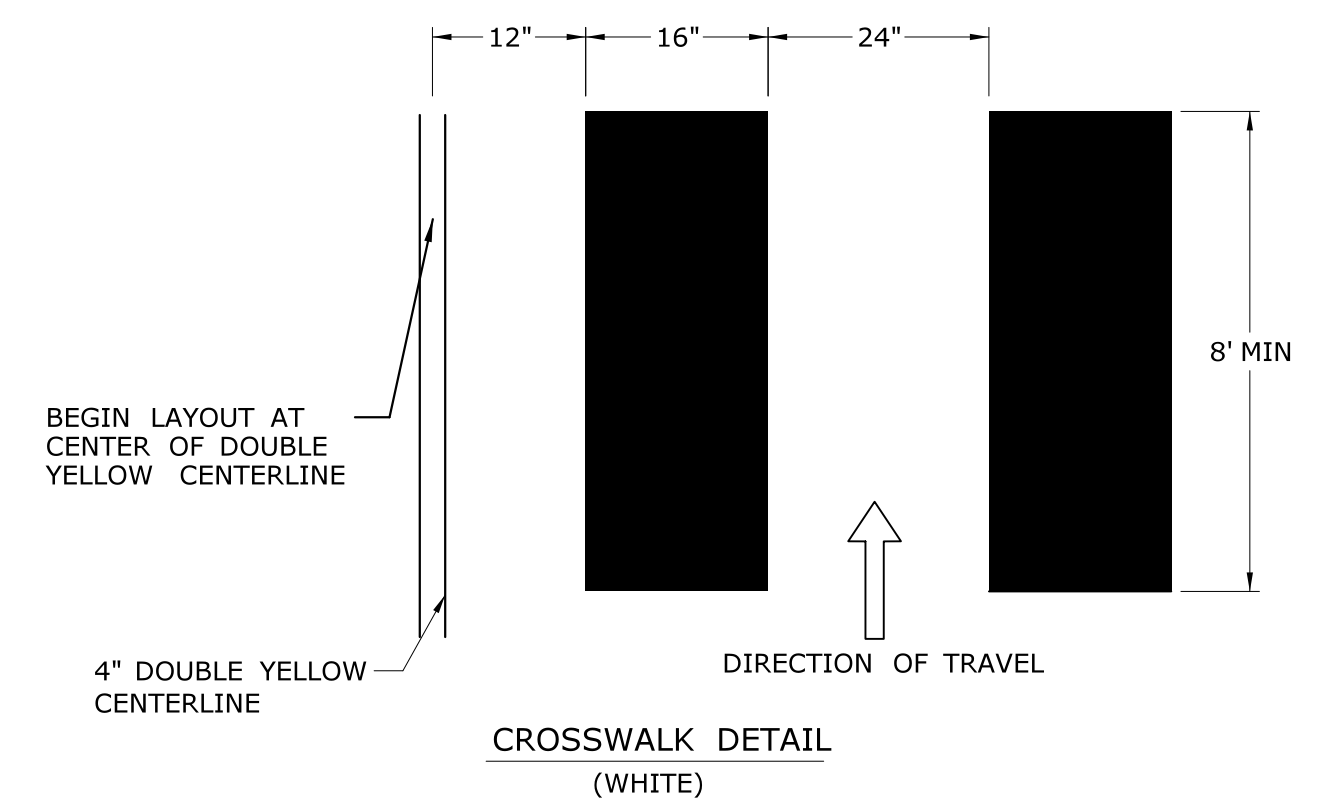
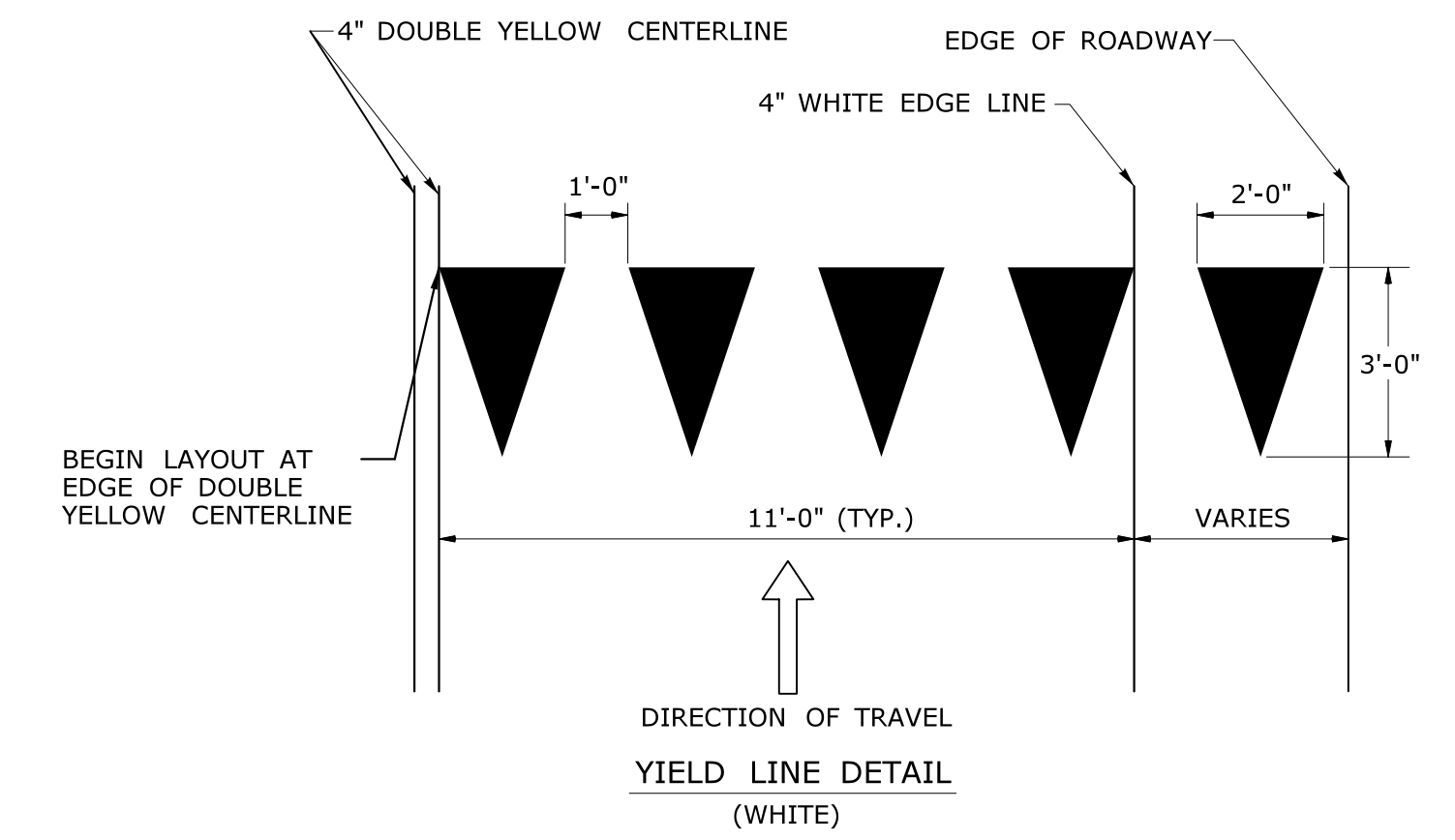


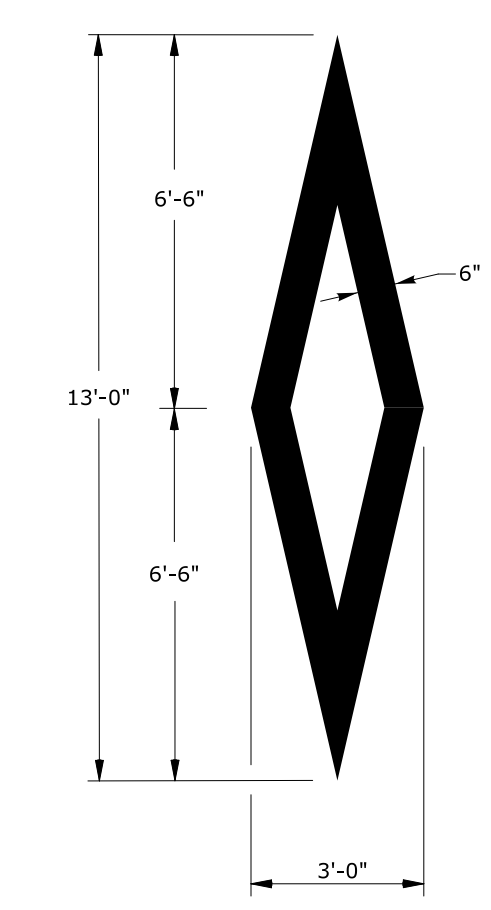
CROSS HATCHED ISLAND DETAIL
(YELLOW)

W IS TO BE 6" WHEN POSTED SPEED ≤ 45 MPH
W IS TO BE 12" WHEN POSTED SPEED > 45 MPH
CROSS HATCHED ISLANDS ARE TO BE INSTALLED WHERE CALLED FOR ON THE PLANS

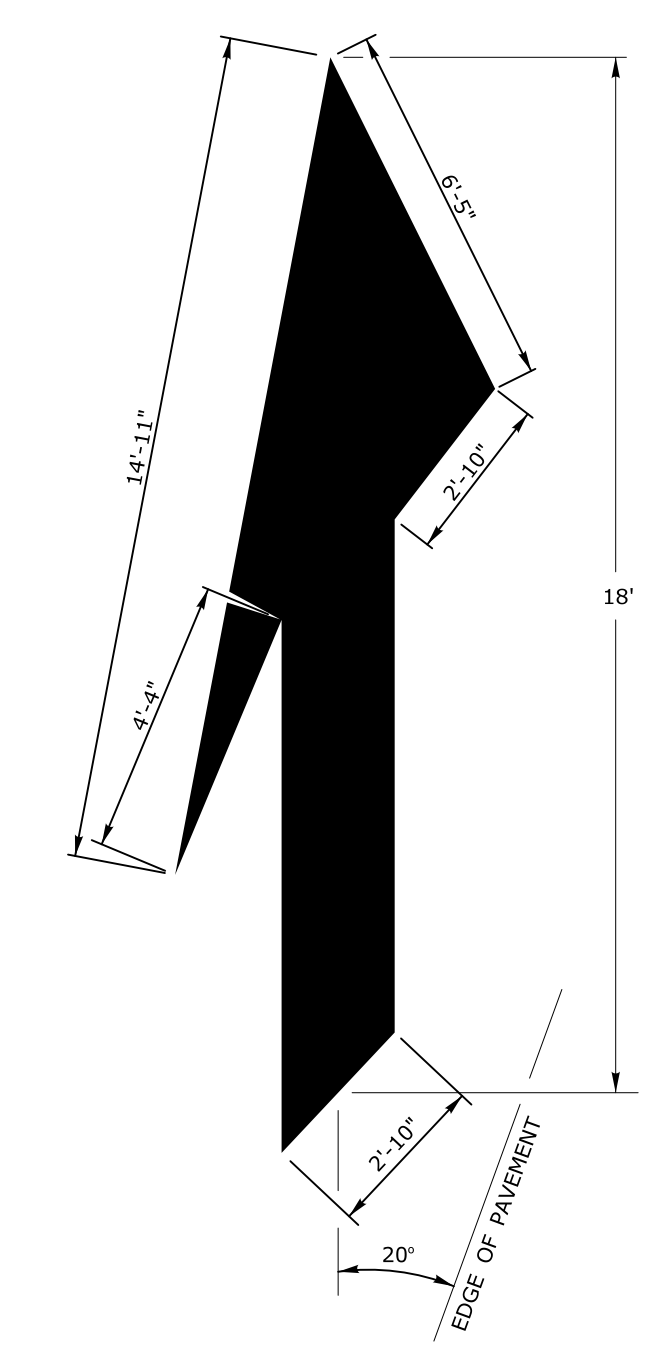


PAVEMENT ARROW DETAILS
(WHITE)

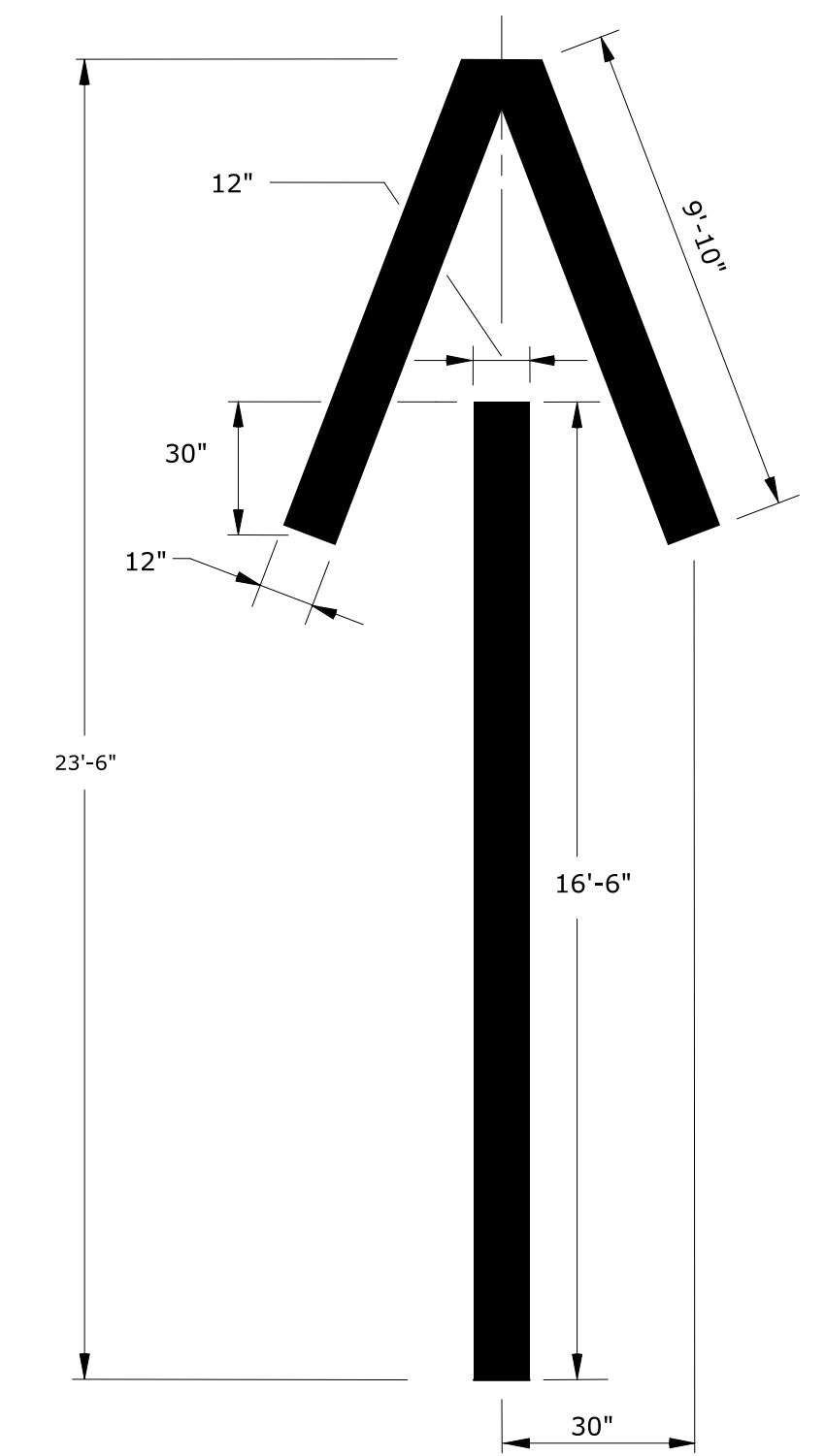
ARROWS SHALL BE CENTERED IN TRAVEL LANE



WHITE PREFERENTIAL LANE SYMBOL
13.0 S.F.



WHITE LANE REDUCTION ARROW
41.8 S.F.



WHITE WRONG WAY PAVEMENT ARROW
36.2 S.F.

NOTES :

1. AREA OF PAVEMENT MARKINGS AS INDICATED IS APPROXIMATE.
2. RIGHT TURN PAVEMENT MARKING ARROWS ARE MIRROR IMAGE OF LEFT TURN PAVEMENT MARKING ARROWS.

REV.	DATE	REVISION DESCRIPTION
1	8-2018	REMOVED ROUNDABOUT MARKINGS.

Plotted Date: 8/10/2018

NOT TO SCALE

STATE OF CONNECTICUT
DEPARTMENT OF TRANSPORTATION

File name: TR-1210_04.dgn Model: CT_Civil_2D_Sheet

SUBMITTED BY: NAME/DATE/TIME:

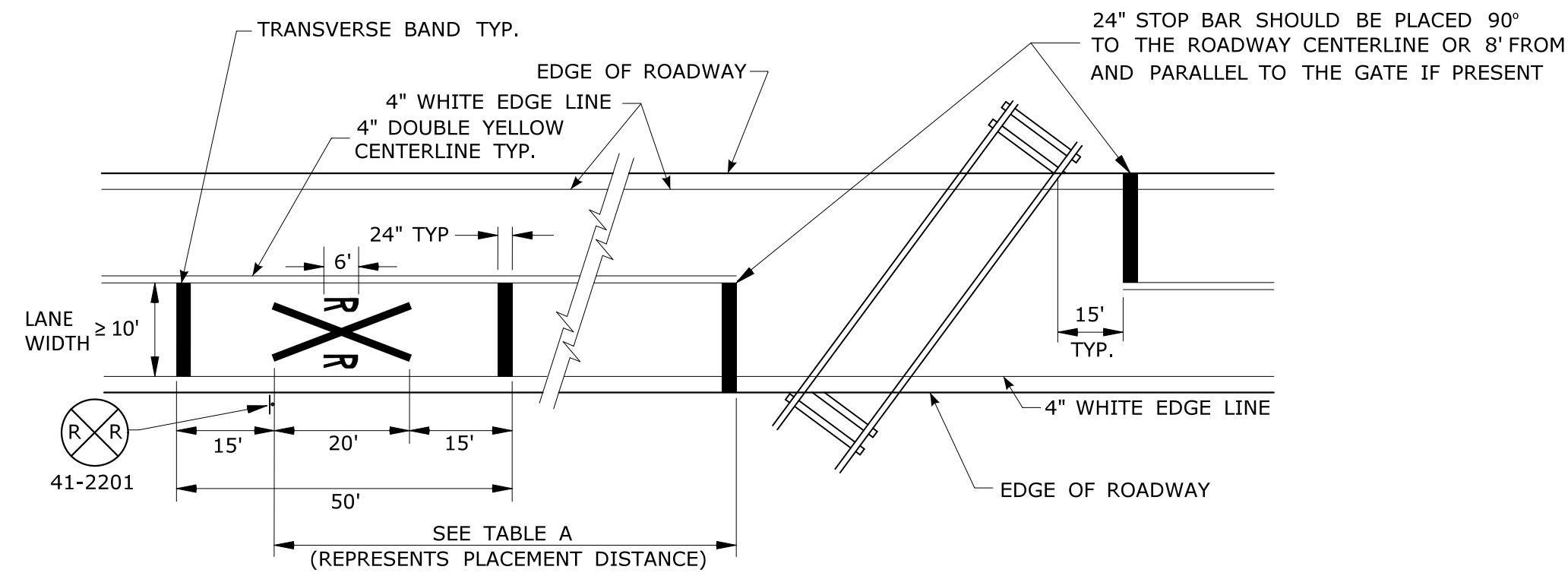
APPROVED BY: NAME/DATE/TIME:

CTDOT
STANDARD SHEET
OFFICE OF ENGINEERING

STANDARD SHEET TITLE:
PAVEMENT MARKING LINES AND SYMBOLS

STANDARD SHEET NO.:
TR-1210_04

TYPICAL RAILROAD GRADE CROSSING DETAIL (LANE WIDTH ≥ 10')



TYPICAL RAILROAD GRADE CROSSING DETAIL (LANE WIDTH < 10')

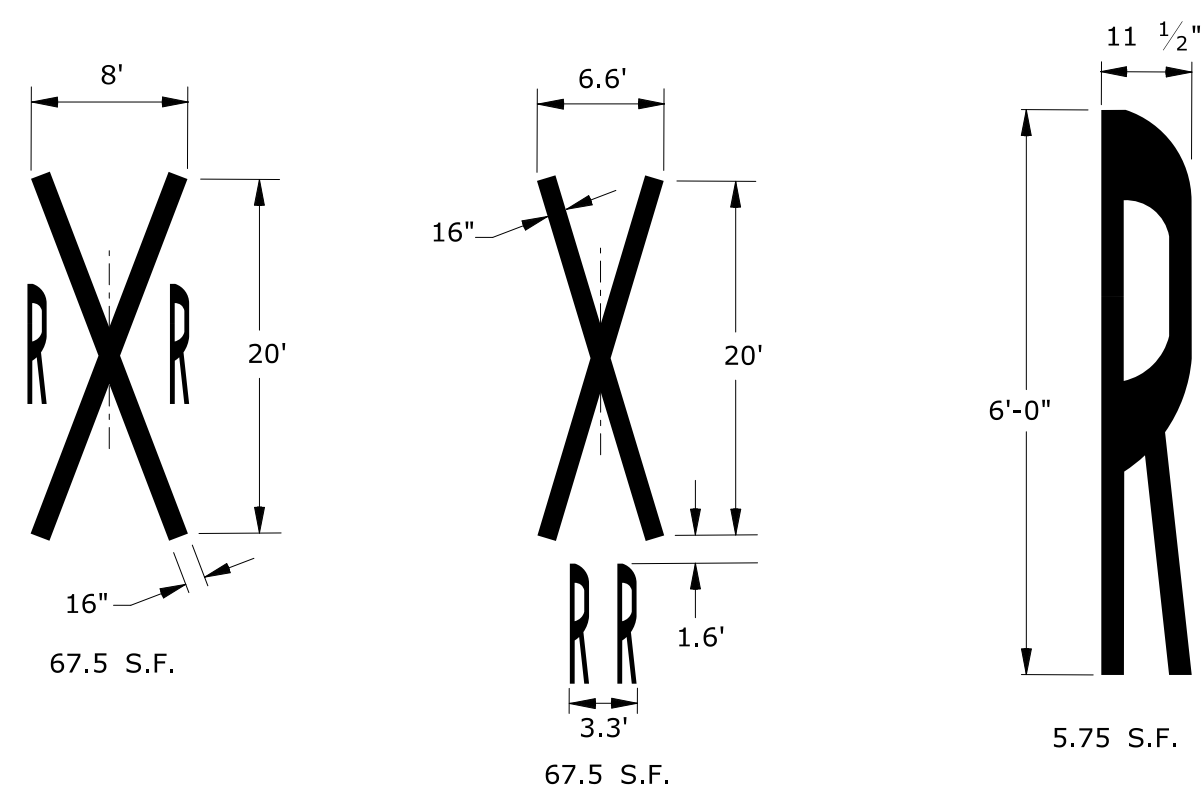
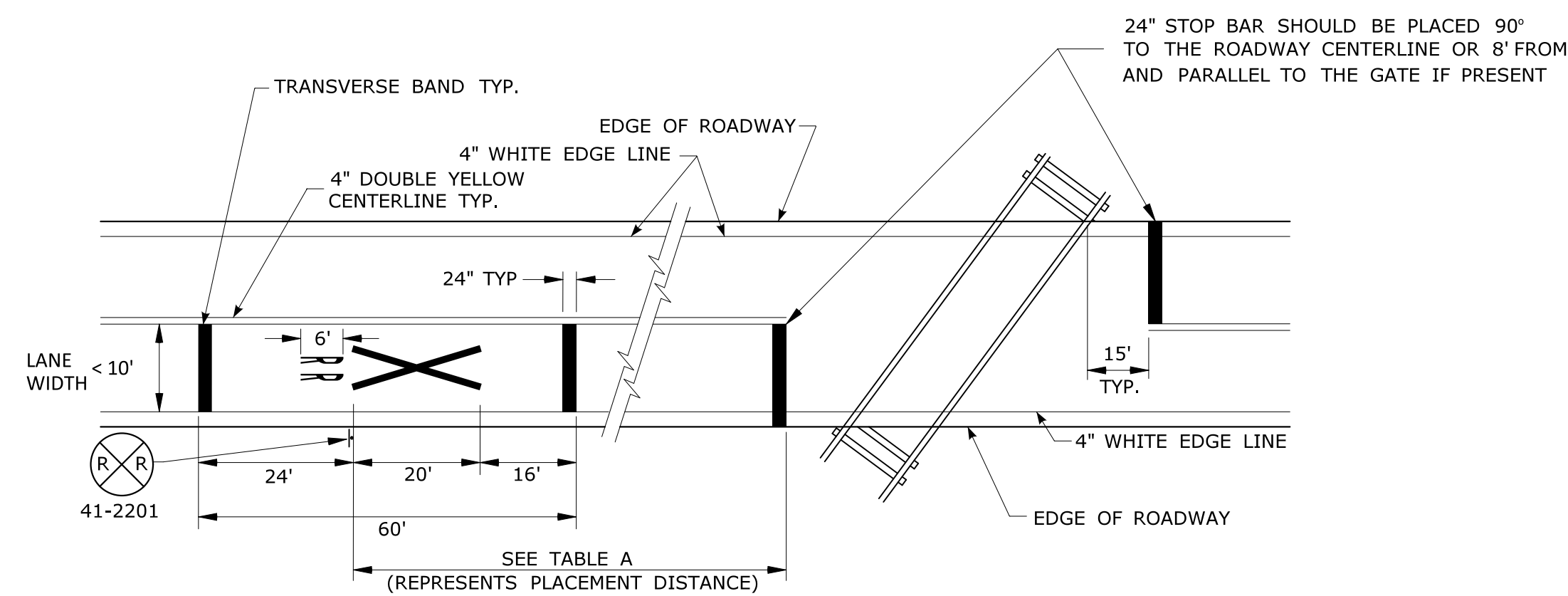


TABLE A	
POSTED OR 85 PERCENTILE SPEED M.P.H.	MINIMUM DISTANCE FT.
20	100
25	100
30	100
35	100
40	125
45	175
50	250
55	325
60	400
65	475

NOTES:

GENERAL:

- AREA OF PAVEMENT MARKING SYMBOLS AS INDICATED IS APPROXIMATE.
- REFER TO STANDARD SHEET TR-1210_04 FOR PAVEMENT MARKING LINE DETAILS.

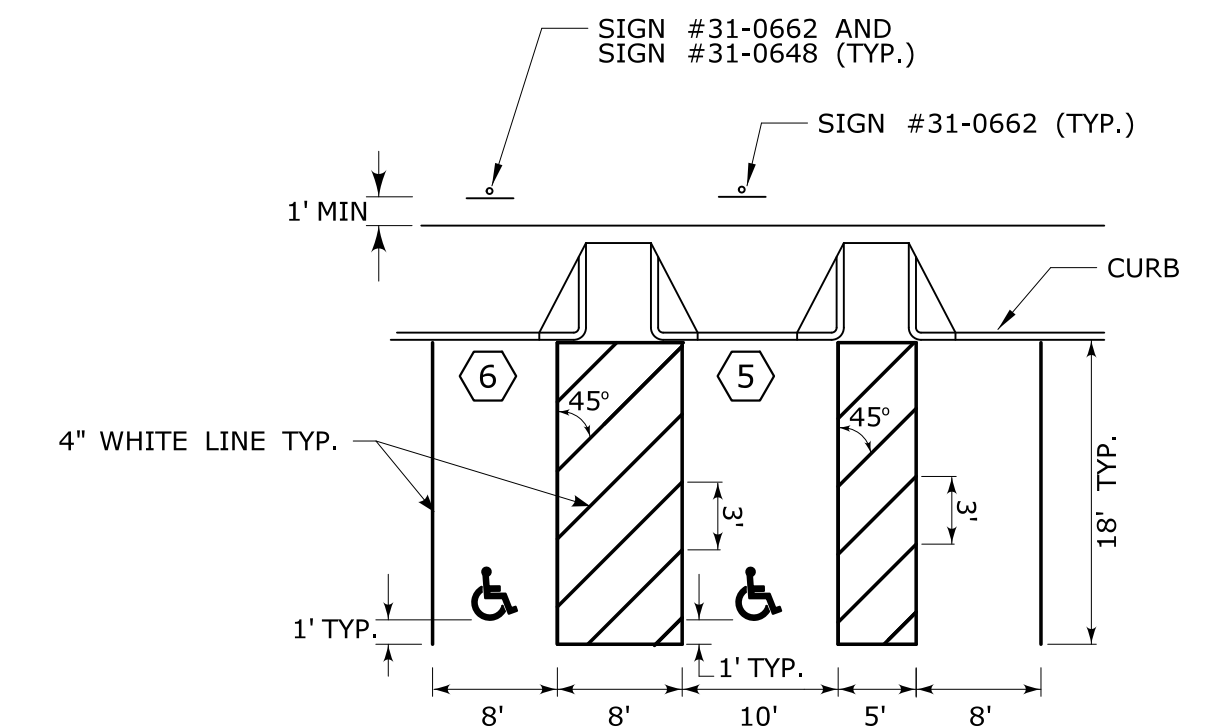
RAILROAD GRADE CROSSINGS:

- RAILROAD MARKINGS SHALL BE WHITE.
- ON MULTI-LANE ROADS THE TRANSVERSE BANDS SHOULD EXTEND ACROSS THE APPROACH LANES AND INDIVIDUAL R X R SYMBOLS SHOULD BE USED IN EACH APPROACH LANE.

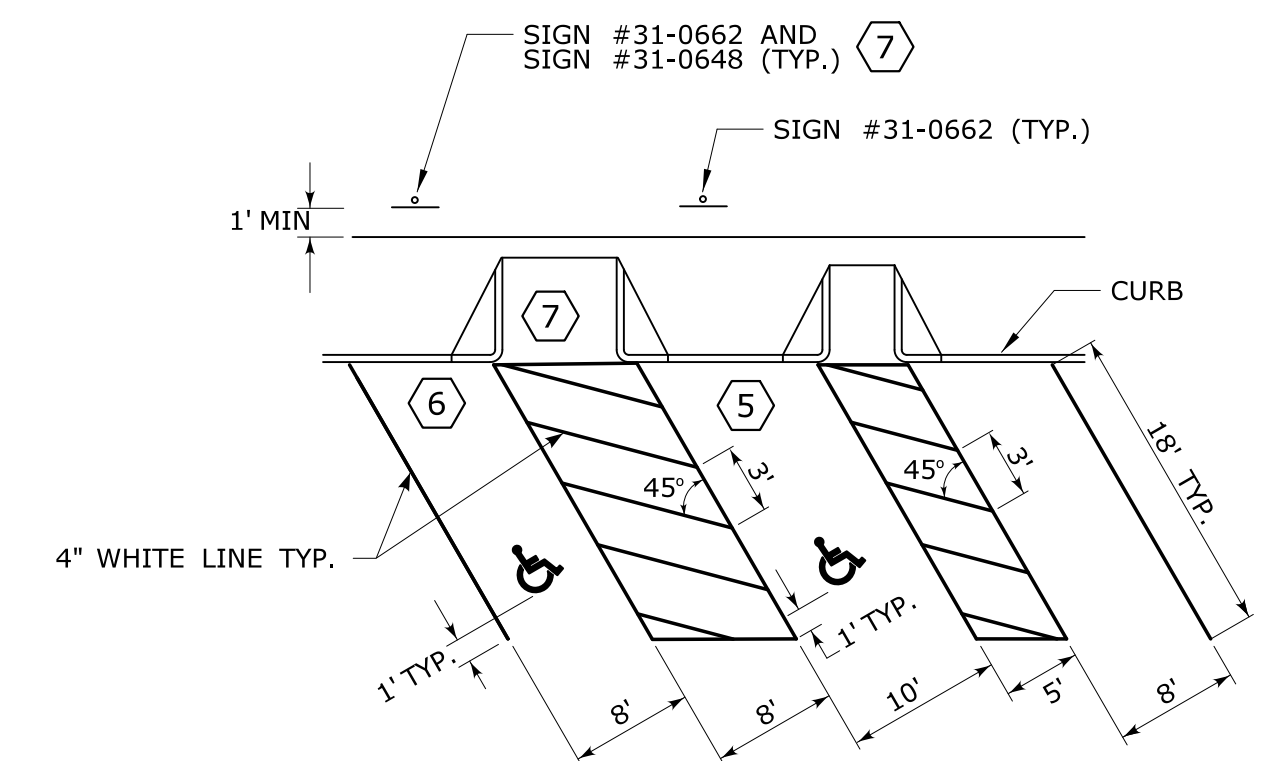
PARKING STALLS:

- AUTOMOBILE ACCESSIBLE PARKING SPACES SHALL BE 15' WIDE INCLUDING 5' OF CROSSHATCH.
- VAN ACCESSIBLE PARKING SPACES SHALL BE 16' WIDE INCLUDING 8' OF CROSSHATCH.
- ACCESS AISLES FOR ANGLED VAN PARKING SPACES SHALL BE LOCATED ON THE PASSENGER SIDE OF THE PARKING SPACE.
- CROSS HATCHED ACCESS AISLES SHALL NOT BE SHARED BETWEEN PARKING SPACES.

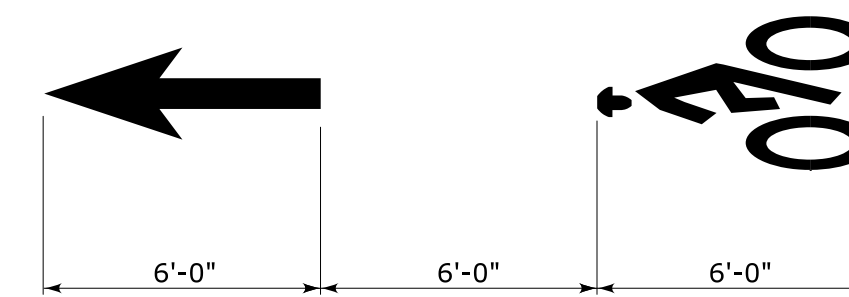
TYPICAL PERPENDICULAR PARKING STALLS DETAIL



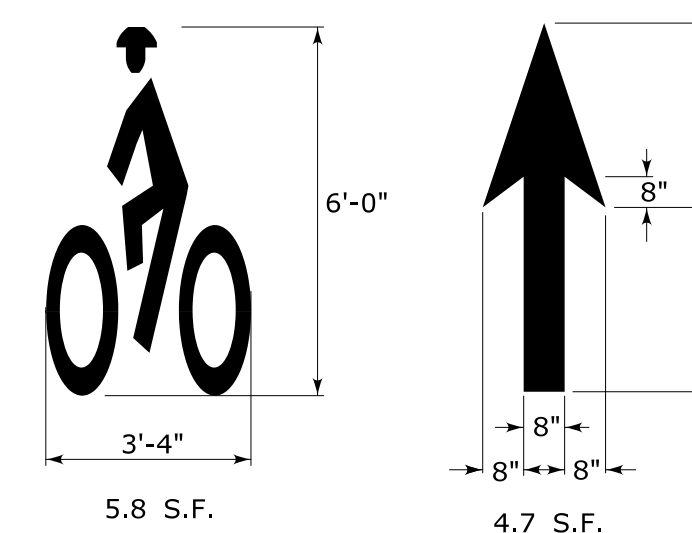
TYPICAL ANGLE PARKING STALLS DETAIL



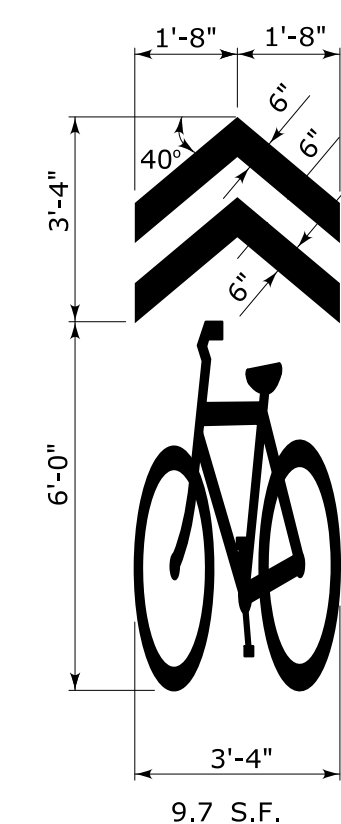
TYPICAL LONGITUDINAL SPACING



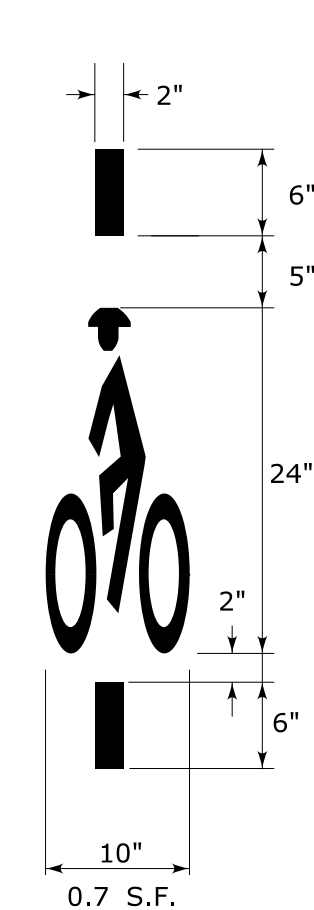
BICYCLE LANE SYMBOL MARKINGS



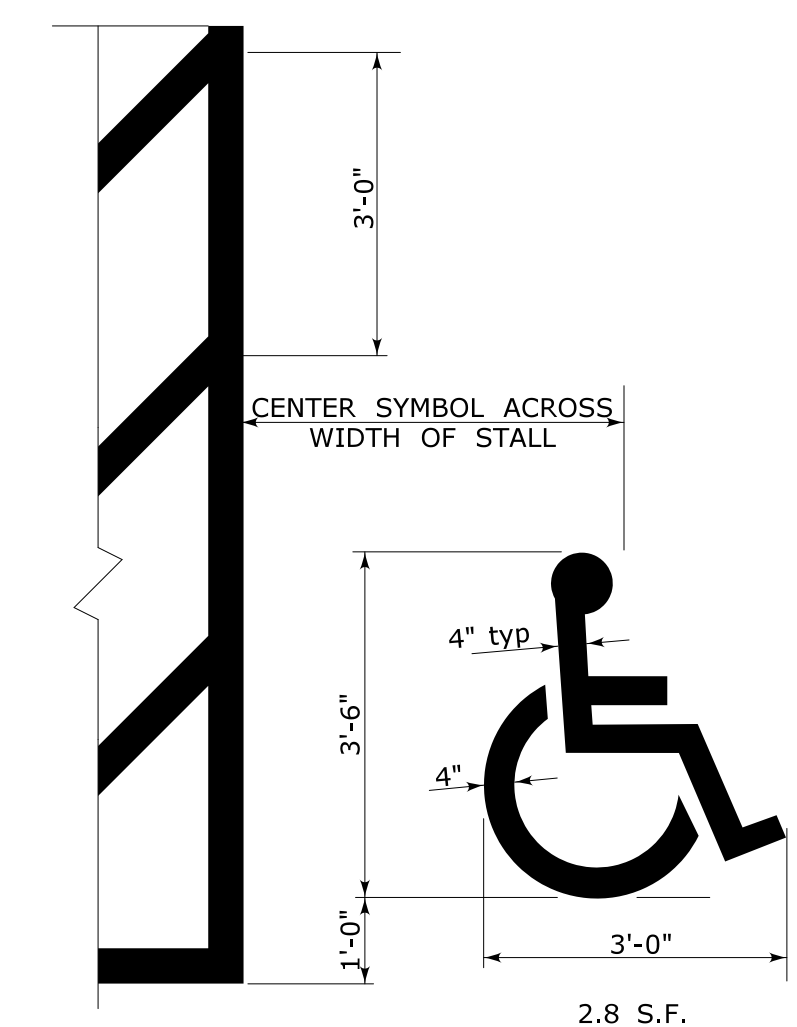
SHARED LANE SYMBOL MARKING



BICYCLE DETECTOR SYMBOL MARKING



ACCESSIBLE PARKING SPACE SYMBOL



E5 - SERIES COPY & BORDER - WHITE BACKGROUND - GREEN <table border="1"> <thead> <tr> <th>AREA (SQ. FT)</th> <th>SIZE (INCHES)</th> <th>CONN. D.O.T. #</th> <th>POSTS</th> </tr> </thead> <tbody> <tr> <td>16.0</td> <td>48</td> <td>51-6147</td> <td>2</td> </tr> </tbody> </table>	AREA (SQ. FT)	SIZE (INCHES)	CONN. D.O.T. #	POSTS	16.0	48	51-6147	2	G20 - SERIES VARIABLE MILEAGE <table border="1"> <thead> <tr> <th>AREA (SQ. FT)</th> <th>SIZE (INCHES)</th> <th>CONN. D.O.T. #</th> <th>POSTS</th> </tr> </thead> <tbody> <tr> <td>8.0</td> <td>48X24</td> <td>80-9612</td> <td>2</td> </tr> <tr> <td>9.0</td> <td>120X108</td> <td>80-9728</td> <td>2</td> </tr> </tbody> </table>	AREA (SQ. FT)	SIZE (INCHES)	CONN. D.O.T. #	POSTS	8.0	48X24	80-9612	2	9.0	120X108	80-9728	2	M4 - SERIES VARIABLE ARROW <table border="1"> <thead> <tr> <th>AREA (SQ. FT)</th> <th>SIZE (INCHES)</th> <th>CONN. D.O.T. #</th> <th>POSTS</th> </tr> </thead> <tbody> <tr> <td>2.0</td> <td>24X12</td> <td>80-9707</td> <td>1</td> </tr> <tr> <td>5.0</td> <td>30X24</td> <td>80-9703</td> <td>1</td> </tr> </tbody> </table>	AREA (SQ. FT)	SIZE (INCHES)	CONN. D.O.T. #	POSTS	2.0	24X12	80-9707	1	5.0	30X24	80-9703	1	R1 - SERIES COPY & BORDER - WHITE BACKGROUND - RED <table border="1"> <thead> <tr> <th>AREA (SQ. FT)</th> <th>SIZE (INCHES)</th> <th>CONN. D.O.T. #</th> <th>POSTS</th> </tr> </thead> <tbody> <tr> <td>5.19</td> <td>30</td> <td>31-0552</td> <td>1</td> </tr> <tr> <td>13.30</td> <td>48</td> <td>31-0557</td> <td>2</td> </tr> </tbody> </table>	AREA (SQ. FT)	SIZE (INCHES)	CONN. D.O.T. #	POSTS	5.19	30	31-0552	1	13.30	48	31-0557	2	R9 & R11 - SERIES COPY & BORDER - BLACK BACKGROUND - WHITE <table border="1"> <thead> <tr> <th>AREA (SQ. FT)</th> <th>SIZE (INCHES)</th> <th>CONN. D.O.T. #</th> <th>POSTS</th> </tr> </thead> <tbody> <tr> <td>3.75</td> <td>30X18</td> <td>80-9076</td> <td>1</td> </tr> <tr> <td>12.5</td> <td>60X30</td> <td>80-9077</td> <td>2</td> </tr> </tbody> </table>	AREA (SQ. FT)	SIZE (INCHES)	CONN. D.O.T. #	POSTS	3.75	30X18	80-9076	1	12.5	60X30	80-9077	2	W1 - SERIES VARIABLE MILEAGE COPY & BORDER - BLACK BACKGROUND - WHITE <table border="1"> <thead> <tr> <th>AREA (SQ. FT)</th> <th>SIZE (INCHES)</th> <th>CONN. D.O.T. #</th> <th>POSTS</th> </tr> </thead> <tbody> <tr> <td>9.0</td> <td>36</td> <td>80-9432L</td> <td>1</td> </tr> <tr> <td>9.0</td> <td>36</td> <td>80-9431R</td> <td>1</td> </tr> <tr> <td>16.0</td> <td>48</td> <td>80-9452L</td> <td>2</td> </tr> <tr> <td>16.0</td> <td>48</td> <td>80-9451R</td> <td>2</td> </tr> </tbody> </table>	AREA (SQ. FT)	SIZE (INCHES)	CONN. D.O.T. #	POSTS	9.0	36	80-9432L	1	9.0	36	80-9431R	1	16.0	48	80-9452L	2	16.0	48	80-9451R	2	W3 - SERIES OCTAGON - RED W/ WHITE BORDER ARROW & BORDER - BLACK BACKGROUND - FLUORESCENT ORANGE <table border="1"> <thead> <tr> <th>AREA (SQ. FT)</th> <th>SIZE (INCHES)</th> <th>CONN. D.O.T. #</th> <th>POSTS</th> </tr> </thead> <tbody> <tr> <td>9.0</td> <td>36</td> <td>80-9050</td> <td>1</td> </tr> <tr> <td>16.0</td> <td>48</td> <td>80-9051</td> <td>2</td> </tr> </tbody> </table>	AREA (SQ. FT)	SIZE (INCHES)	CONN. D.O.T. #	POSTS	9.0	36	80-9050	1	16.0	48	80-9051	2				
AREA (SQ. FT)	SIZE (INCHES)	CONN. D.O.T. #	POSTS																																																																																															
16.0	48	51-6147	2																																																																																															
AREA (SQ. FT)	SIZE (INCHES)	CONN. D.O.T. #	POSTS																																																																																															
8.0	48X24	80-9612	2																																																																																															
9.0	120X108	80-9728	2																																																																																															
AREA (SQ. FT)	SIZE (INCHES)	CONN. D.O.T. #	POSTS																																																																																															
2.0	24X12	80-9707	1																																																																																															
5.0	30X24	80-9703	1																																																																																															
AREA (SQ. FT)	SIZE (INCHES)	CONN. D.O.T. #	POSTS																																																																																															
5.19	30	31-0552	1																																																																																															
13.30	48	31-0557	2																																																																																															
AREA (SQ. FT)	SIZE (INCHES)	CONN. D.O.T. #	POSTS																																																																																															
3.75	30X18	80-9076	1																																																																																															
12.5	60X30	80-9077	2																																																																																															
AREA (SQ. FT)	SIZE (INCHES)	CONN. D.O.T. #	POSTS																																																																																															
9.0	36	80-9432L	1																																																																																															
9.0	36	80-9431R	1																																																																																															
16.0	48	80-9452L	2																																																																																															
16.0	48	80-9451R	2																																																																																															
AREA (SQ. FT)	SIZE (INCHES)	CONN. D.O.T. #	POSTS																																																																																															
9.0	36	80-9050	1																																																																																															
16.0	48	80-9051	2																																																																																															
16 - SERIES ROAD USE RESTRICTED STATE LIABILITY LIMITED GENERAL STATUTES SEC 13a-115, 13a-145 COMMISSIONER OF TRANSPORTATION <table border="1"> <thead> <tr> <th>AREA (SQ. FT)</th> <th>SIZE (INCHES)</th> <th>CONN. D.O.T. #</th> <th>POSTS</th> </tr> </thead> <tbody> <tr> <td>16-M</td> <td>5.0</td> <td>30X24</td> <td>80-1613</td> <td>1</td> </tr> <tr> <td>16-H</td> <td>17.5</td> <td>60X42</td> <td>80-1608</td> <td>2</td> </tr> <tr> <td>16-E</td> <td>35.0</td> <td>84X60</td> <td>80-1605</td> <td>2</td> </tr> </tbody> </table>	AREA (SQ. FT)	SIZE (INCHES)	CONN. D.O.T. #	POSTS	16-M	5.0	30X24	80-1613	1	16-H	17.5	60X42	80-1608	2	16-E	35.0	84X60	80-1605	2	 VARIABLE MILEAGE <table border="1"> <thead> <tr> <th>AREA (SQ. FT)</th> <th>SIZE (INCHES)</th> <th>CONN. D.O.T. #</th> <th>POSTS</th> </tr> </thead> <tbody> <tr> <td>16.0</td> <td>48</td> <td>80-9712</td> <td>2</td> </tr> </tbody> </table>	AREA (SQ. FT)	SIZE (INCHES)	CONN. D.O.T. #	POSTS	16.0	48	80-9712	2	 VARIABLE ARROW <table border="1"> <thead> <tr> <th>AREA (SQ. FT)</th> <th>SIZE (INCHES)</th> <th>CONN. D.O.T. #</th> <th>POSTS</th> </tr> </thead> <tbody> <tr> <td>3.0</td> <td>24X18</td> <td>80-9708</td> <td>1</td> </tr> <tr> <td>6.25</td> <td>30X30</td> <td>80-9706</td> <td>1</td> </tr> </tbody> </table>	AREA (SQ. FT)	SIZE (INCHES)	CONN. D.O.T. #	POSTS	3.0	24X18	80-9708	1	6.25	30X30	80-9706	1	 COPY & BORDER - RED BACKGROUND - WHITE <table border="1"> <thead> <tr> <th>AREA (SQ. FT)</th> <th>SIZE (INCHES)</th> <th>CONN. D.O.T. #</th> <th>POSTS</th> </tr> </thead> <tbody> <tr> <td>3.90</td> <td>36</td> <td>31-0523</td> <td>1</td> </tr> <tr> <td>10.83</td> <td>60</td> <td>31-0528</td> <td>2</td> </tr> </tbody> </table>	AREA (SQ. FT)	SIZE (INCHES)	CONN. D.O.T. #	POSTS	3.90	36	31-0523	1	10.83	60	31-0528	2	 VARIABLE ARROW COPY & BORDER - BLACK BACKGROUND - WHITE <table border="1"> <thead> <tr> <th>AREA (SQ. FT)</th> <th>SIZE (INCHES)</th> <th>CONN. D.O.T. #</th> <th>POSTS</th> </tr> </thead> <tbody> <tr> <td>3.0</td> <td>24X18</td> <td>80-9074</td> <td>1</td> </tr> </tbody> </table>	AREA (SQ. FT)	SIZE (INCHES)	CONN. D.O.T. #	POSTS	3.0	24X18	80-9074	1	 VARIABLE MILEAGE COPY & BORDER - BLACK BACKGROUND - WHITE <table border="1"> <thead> <tr> <th>AREA (SQ. FT)</th> <th>SIZE (INCHES)</th> <th>CONN. D.O.T. #</th> <th>POSTS</th> </tr> </thead> <tbody> <tr> <td>12.5</td> <td>60X30</td> <td>80-9078</td> <td>2</td> </tr> </tbody> </table>	AREA (SQ. FT)	SIZE (INCHES)	CONN. D.O.T. #	POSTS	12.5	60X30	80-9078	2	 COPY & BORDER - BLACK BACKGROUND - WHITE <table border="1"> <thead> <tr> <th>AREA (SQ. FT)</th> <th>SIZE (INCHES)</th> <th>CONN. D.O.T. #</th> <th>POSTS</th> </tr> </thead> <tbody> <tr> <td>16.0</td> <td>48</td> <td>80-9434L</td> <td>2</td> </tr> <tr> <td>16.0</td> <td>48</td> <td>80-9435R</td> <td>2</td> </tr> </tbody> </table>	AREA (SQ. FT)	SIZE (INCHES)	CONN. D.O.T. #	POSTS	16.0	48	80-9434L	2	16.0	48	80-9435R	2	 TRIANGLE - RED W/ WHITE BORDER ARROW & BORDER - BLACK BACKGROUND - FLUORESCENT ORANGE <table border="1"> <thead> <tr> <th>AREA (SQ. FT)</th> <th>SIZE (INCHES)</th> <th>CONN. D.O.T. #</th> <th>POSTS</th> </tr> </thead> <tbody> <tr> <td>9.0</td> <td>36</td> <td>80-9054</td> <td>1</td> </tr> <tr> <td>16.0</td> <td>48</td> <td>80-9055</td> <td>2</td> </tr> </tbody> </table>	AREA (SQ. FT)	SIZE (INCHES)	CONN. D.O.T. #	POSTS	9.0	36	80-9054	1	16.0	48	80-9055	2
AREA (SQ. FT)	SIZE (INCHES)	CONN. D.O.T. #	POSTS																																																																																															
16-M	5.0	30X24	80-1613	1																																																																																														
16-H	17.5	60X42	80-1608	2																																																																																														
16-E	35.0	84X60	80-1605	2																																																																																														
AREA (SQ. FT)	SIZE (INCHES)	CONN. D.O.T. #	POSTS																																																																																															
16.0	48	80-9712	2																																																																																															
AREA (SQ. FT)	SIZE (INCHES)	CONN. D.O.T. #	POSTS																																																																																															
3.0	24X18	80-9708	1																																																																																															
6.25	30X30	80-9706	1																																																																																															
AREA (SQ. FT)	SIZE (INCHES)	CONN. D.O.T. #	POSTS																																																																																															
3.90	36	31-0523	1																																																																																															
10.83	60	31-0528	2																																																																																															
AREA (SQ. FT)	SIZE (INCHES)	CONN. D.O.T. #	POSTS																																																																																															
3.0	24X18	80-9074	1																																																																																															
AREA (SQ. FT)	SIZE (INCHES)	CONN. D.O.T. #	POSTS																																																																																															
12.5	60X30	80-9078	2																																																																																															
AREA (SQ. FT)	SIZE (INCHES)	CONN. D.O.T. #	POSTS																																																																																															
16.0	48	80-9434L	2																																																																																															
16.0	48	80-9435R	2																																																																																															
AREA (SQ. FT)	SIZE (INCHES)	CONN. D.O.T. #	POSTS																																																																																															
9.0	36	80-9054	1																																																																																															
16.0	48	80-9055	2																																																																																															
 ROAD USE RESTRICTED STATE LIABILITY LIMITED GENERAL STATUTES SEC 13a-115, 13a-145 COMMISSIONER OF TRANSPORTATION <table border="1"> <thead> <tr> <th>AREA (SQ. FT)</th> <th>SIZE (INCHES)</th> <th>CONN. D.O.T. #</th> <th>POSTS</th> </tr> </thead> <tbody> <tr> <td>16-S</td> <td>10.0</td> <td>48X30</td> <td>80-1619</td> <td>2</td> </tr> </tbody> </table>	AREA (SQ. FT)	SIZE (INCHES)	CONN. D.O.T. #	POSTS	16-S	10.0	48X30	80-1619	2	 VARIABLE MILEAGE <table border="1"> <thead> <tr> <th>AREA (SQ. FT)</th> <th>SIZE (INCHES)</th> <th>CONN. D.O.T. #</th> <th>POSTS</th> </tr> </thead> <tbody> <tr> <td>7.0</td> <td>72X14</td> <td>80-9720</td> <td>2</td> </tr> </tbody> </table>	AREA (SQ. FT)	SIZE (INCHES)	CONN. D.O.T. #	POSTS	7.0	72X14	80-9720	2	 VARIABLE ARROW <table border="1"> <thead> <tr> <th>AREA (SQ. FT)</th> <th>SIZE (INCHES)</th> <th>CONN. D.O.T. #</th> <th>POSTS</th> </tr> </thead> <tbody> <tr> <td>6.0</td> <td>48X18</td> <td>80-9701R</td> <td>2</td> </tr> <tr> <td>6.0</td> <td>48X18</td> <td>80-9702L</td> <td>2</td> </tr> </tbody> </table>	AREA (SQ. FT)	SIZE (INCHES)	CONN. D.O.T. #	POSTS	6.0	48X18	80-9701R	2	6.0	48X18	80-9702L	2	 COPY & BORDER - BLACK BACKGROUND - WHITE <table border="1"> <thead> <tr> <th>AREA (SQ. FT)</th> <th>SIZE (INCHES)</th> <th>CONN. D.O.T. #</th> <th>POSTS</th> </tr> </thead> <tbody> <tr> <td>5.0</td> <td>24X30</td> <td>31-1526</td> <td>1</td> </tr> <tr> <td>5.0</td> <td>24X30</td> <td>31-1517</td> <td>1</td> </tr> <tr> <td>12.0</td> <td>36X48</td> <td>31-1518</td> <td>1</td> </tr> <tr> <td>20.0</td> <td>48X60</td> <td>31-1519</td> <td>2</td> </tr> </tbody> </table>	AREA (SQ. FT)	SIZE (INCHES)	CONN. D.O.T. #	POSTS	5.0	24X30	31-1526	1	5.0	24X30	31-1517	1	12.0	36X48	31-1518	1	20.0	48X60	31-1519	2	 VARIABLE ARROW COPY & BORDER - BLACK BACKGROUND - WHITE <table border="1"> <thead> <tr> <th>AREA (SQ. FT)</th> <th>SIZE (INCHES)</th> <th>CONN. D.O.T. #</th> <th>POSTS</th> </tr> </thead> <tbody> <tr> <td>2.0</td> <td>24X12</td> <td>80-9075</td> <td>1</td> </tr> </tbody> </table>	AREA (SQ. FT)	SIZE (INCHES)	CONN. D.O.T. #	POSTS	2.0	24X12	80-9075	1	 COPY & BORDER - BLACK BACKGROUND - WHITE <table border="1"> <thead> <tr> <th>AREA (SQ. FT)</th> <th>SIZE (INCHES)</th> <th>CONN. D.O.T. #</th> <th>POSTS</th> </tr> </thead> <tbody> <tr> <td>12.5</td> <td>60X30</td> <td>80-9081</td> <td>2</td> </tr> </tbody> </table>	AREA (SQ. FT)	SIZE (INCHES)	CONN. D.O.T. #	POSTS	12.5	60X30	80-9081	2	 COPY & BORDER - BLACK BACKGROUND - WHITE <table border="1"> <thead> <tr> <th>AREA (SQ. FT)</th> <th>SIZE (INCHES)</th> <th>CONN. D.O.T. #</th> <th>POSTS</th> </tr> </thead> <tbody> <tr> <td>25.0</td> <td>60</td> <td>80-9443L</td> <td>2</td> </tr> <tr> <td>25.0</td> <td>60</td> <td>80-9445R</td> <td>2</td> </tr> </tbody> </table>	AREA (SQ. FT)	SIZE (INCHES)	CONN. D.O.T. #	POSTS	25.0	60	80-9443L	2	25.0	60	80-9445R	2	 TOP CIRCLE - RED MIDDLE CIRCLE - YELLOW BOTTOM CIRCLE - GREEN COPY & BORDER - BLACK BACKGROUND - FLUORESCENT ORANGE <table border="1"> <thead> <tr> <th>AREA (SQ. FT)</th> <th>SIZE (INCHES)</th> <th>CONN. D.O.T. #</th> <th>POSTS</th> </tr> </thead> <tbody> <tr> <td>9.0</td> <td>36</td> <td>80-9052</td> <td>1</td> </tr> <tr> <td>16.0</td> <td>48</td> <td>80-9053</td> <td>2</td> </tr> </tbody> </table>	AREA (SQ. FT)	SIZE (INCHES)	CONN. D.O.T. #	POSTS	9.0	36	80-9052	1	16.0	48	80-9053	2		
AREA (SQ. FT)	SIZE (INCHES)	CONN. D.O.T. #	POSTS																																																																																															
16-S	10.0	48X30	80-1619	2																																																																																														
AREA (SQ. FT)	SIZE (INCHES)	CONN. D.O.T. #	POSTS																																																																																															
7.0	72X14	80-9720	2																																																																																															
AREA (SQ. FT)	SIZE (INCHES)	CONN. D.O.T. #	POSTS																																																																																															
6.0	48X18	80-9701R	2																																																																																															
6.0	48X18	80-9702L	2																																																																																															
AREA (SQ. FT)	SIZE (INCHES)	CONN. D.O.T. #	POSTS																																																																																															
5.0	24X30	31-1526	1																																																																																															
5.0	24X30	31-1517	1																																																																																															
12.0	36X48	31-1518	1																																																																																															
20.0	48X60	31-1519	2																																																																																															
AREA (SQ. FT)	SIZE (INCHES)	CONN. D.O.T. #	POSTS																																																																																															
2.0	24X12	80-9075	1																																																																																															
AREA (SQ. FT)	SIZE (INCHES)	CONN. D.O.T. #	POSTS																																																																																															
12.5	60X30	80-9081	2																																																																																															
AREA (SQ. FT)	SIZE (INCHES)	CONN. D.O.T. #	POSTS																																																																																															
25.0	60	80-9443L	2																																																																																															
25.0	60	80-9445R	2																																																																																															
AREA (SQ. FT)	SIZE (INCHES)	CONN. D.O.T. #	POSTS																																																																																															
9.0	36	80-9052	1																																																																																															
16.0	48	80-9053	2																																																																																															

W4-W6 - SERIES COPY & BORDER - BLACK BACKGROUND - WHITE <table border="1"> <thead> <tr> <th>AREA (SQ. FT)</th> <th>SIZE (INCHES)</th> <th>CONN. D.O.T. #</th> <th>POSTS</th> </tr> </thead> <tbody> <tr> <td>16.0</td> <td>48</td> <td>80-9918L</td> <td>2</td> </tr> <tr> <td>16.0</td> <td>48</td> <td>80-9917R</td> <td>2</td> </tr> </tbody> </table>	AREA (SQ. FT)	SIZE (INCHES)	CONN. D.O.T. #	POSTS	16.0	48	80-9918L	2	16.0	48	80-9917R	2	W8-W9 - SERIES <table border="1"> <thead> <tr> <th>AREA (SQ. FT)</th> <th>SIZE (INCHES)</th> <th>CONN. D.O.T. #</th> <th>POSTS</th> </tr> </thead> <tbody> <tr> <td>9.0</td> <td>36</td> <td>80-9901</td> <td>1</td> </tr> <tr> <td>16.0</td> <td>48</td> <td>80-9902</td> <td>2</td> </tr> </tbody> </table>	AREA (SQ. FT)	SIZE (INCHES)	CONN. D.O.T. #	POSTS	9.0	36	80-9901	1	16.0	48	80-9902	2	W13 - SERIES SUBPLATE VARIABLE SPEED <table border="1"> <thead> <tr> <th>AREA (SQ. FT)</th> <th>SIZE (INCHES)</th> <th>CONN. D.O.T. #</th> <th>POSTS</th> </tr> </thead> <tbody> <tr> <td>4.0</td> <td>24</td> <td>80-9569</td> <td>1</td> </tr> <tr> <td>6.25</td> <td>30</td> <td>80-9602</td> <td>1</td> </tr> <tr> <td>9.0</td> <td>36</td> <td>80-9603</td> <td>1</td> </tr> <tr> <td>16.0</td> <td>48</td> <td>80-9604</td> <td>2</td> </tr> </tbody> </table>	AREA (SQ. FT)	SIZE (INCHES)	CONN. D.O.T. #	POSTS	4.0	24	80-9569	1	6.25	30	80-9602	1	9.0	36	80-9603	1	16.0	48	80-9604	2	W20 - SERIES VARIABLE DISTANCE <table border="1"> <thead> <tr> <th>AREA (SQ. FT)</th> <th>SIZE (INCHES)</th> <th>CONN. D.O.T. #</th> <th>POSTS</th> </tr> </thead> <tbody> <tr> <td>6.25</td> <td>30</td> <td>80-9602</td> <td>1</td> </tr> <tr> <td>9.0</td> <td>36</td> <td>80-9603</td> <td>1</td> </tr> <tr> <td>16.0</td> <td>48</td> <td>80-9604</td> <td>2</td> </tr> </tbody> </table>	AREA (SQ. FT)	SIZE (INCHES)	CONN. D.O.T. #	POSTS	6.25	30	80-9602	1	9.0	36	80-9603	1	16.0	48	80-9604	2	 COPY & BORDER - BLACK BACKGROUND - WHITE <table border="1"> <thead> <tr> <th>AREA (SQ. FT)</th> <th>SIZE (INCHES)</th> <th>CONN. D.O.T. #</th> <th>POSTS</th> </tr> </thead> <tbody> <tr> <td>16.0</td> <td>48</td> <td>80-9836</td> <td>2</td> </tr> <tr> <td>16.0</td> <td>48</td> <td>80-9839</td> <td>2</td> </tr> </tbody> </table>	AREA (SQ. FT)	SIZE (INCHES)	CONN. D.O.T. #	POSTS	16.0	48	80-9836	2	16.0	48	80-9839	2	 COPY & BORDER - BLACK BACKGROUND - WHITE <table border="1"> <thead> <tr> <th>AREA (SQ. FT)</th> <th>SIZE (INCHES)</th> <th>CONN. D.O.T. #</th> <th>POSTS</th> </tr> </thead> <tbody> <tr> <td>9.0</td> <td>36</td> <td>80-9803</td> <td>1</td> </tr> <tr> <td>16.0</td> <td>48</td> <td>80-9804</td> <td>2</td> </tr> </tbody> </table>	AREA (SQ. FT)	SIZE (INCHES)	CONN. D.O.T. #	POSTS	9.0	36	80-9803	1	16.0	48	80-9804	2	 <table border="1"> <thead> <tr> <th>AREA (SQ. FT)</th> <th>SIZE (INCHES)</th> <th>CONN. D.O.T. #</th> <th>POSTS</th> </tr> </thead> <tbody> <tr> <td>9.0</td> <td>36</td> <td>80-9607</td> <td>1</td> </tr> </tbody> </table>	AREA (SQ. FT)	SIZE (INCHES)	CONN. D.O.T. #	POSTS	9.0	36	80-9607	1	W22 - SERIES <table border="1"> <thead> <tr> <th>AREA (SQ. FT)</th> <th>SIZE (INCHES)</th> <th>CONN. D.O.T. #</th> <th>POSTS</th> </tr> </thead> <tbody> <tr> <td>9.0</td> <td>36</td> <td>80-9620</td> <td>1</td> </tr> <tr> <td>16.0</td> <td>48</td> <td>80-9625</td> <td>2</td> </tr> </tbody> </table>	AREA (SQ. FT)	SIZE (INCHES)	CONN. D.O.T. #	POSTS	9.0	36	80-9620	1	16.0	48	80-9625	2	(VARIABLE LEGEND)	(VARIABLE LEGEND)	STOP-SLOW PADDLE SIDE A SIDE B SIDE A BACKGROUND - RED COPY & BORDER - WHITE SIDE B BACKGROUND - ORANGE COPY & BORDER - BLACK PLAIN <table border="1"> <thead> <tr> <th>AREA (SQ. FT)</th> <th>SIZE (INCHES)</th> <th>CONN. D.O.T. #</th> <th>POSTS</th> </tr> </thead> <tbody> <tr> <td>2.25</td> <td>18</td> <td>80-9950</td> <td>PADDLE</td> </tr> </tbody> </table>	AREA (SQ. FT)	SIZE (INCHES)	CONN. D.O.T. #	POSTS	2.25	18	80-9950	PADDLE																													
AREA (SQ. FT)	SIZE (INCHES)	CONN. D.O.T. #	POSTS																																																																																																																																																				
16.0	48	80-9918L	2																																																																																																																																																				
16.0	48	80-9917R	2																																																																																																																																																				
AREA (SQ. FT)	SIZE (INCHES)	CONN. D.O.T. #	POSTS																																																																																																																																																				
9.0	36	80-9901	1																																																																																																																																																				
16.0	48	80-9902	2																																																																																																																																																				
AREA (SQ. FT)	SIZE (INCHES)	CONN. D.O.T. #	POSTS																																																																																																																																																				
4.0	24	80-9569	1																																																																																																																																																				
6.25	30	80-9602	1																																																																																																																																																				
9.0	36	80-9603	1																																																																																																																																																				
16.0	48	80-9604	2																																																																																																																																																				
AREA (SQ. FT)	SIZE (INCHES)	CONN. D.O.T. #	POSTS																																																																																																																																																				
6.25	30	80-9602	1																																																																																																																																																				
9.0	36	80-9603	1																																																																																																																																																				
16.0	48	80-9604	2																																																																																																																																																				
AREA (SQ. FT)	SIZE (INCHES)	CONN. D.O.T. #	POSTS																																																																																																																																																				
16.0	48	80-9836	2																																																																																																																																																				
16.0	48	80-9839	2																																																																																																																																																				
AREA (SQ. FT)	SIZE (INCHES)	CONN. D.O.T. #	POSTS																																																																																																																																																				
9.0	36	80-9803	1																																																																																																																																																				
16.0	48	80-9804	2																																																																																																																																																				
AREA (SQ. FT)	SIZE (INCHES)	CONN. D.O.T. #	POSTS																																																																																																																																																				
9.0	36	80-9607	1																																																																																																																																																				
AREA (SQ. FT)	SIZE (INCHES)	CONN. D.O.T. #	POSTS																																																																																																																																																				
9.0	36	80-9620	1																																																																																																																																																				
16.0	48	80-9625	2																																																																																																																																																				
AREA (SQ. FT)	SIZE (INCHES)	CONN. D.O.T. #	POSTS																																																																																																																																																				
2.25	18	80-9950	PADDLE																																																																																																																																																				
 <table border="1"> <thead> <tr> <th>AREA (SQ. FT)</th> <th>SIZE (INCHES)</th> <th>CONN. D.O.T. #</th> <th>POSTS</th> </tr> </thead> <tbody> <tr> <td>16.0</td> <td>48</td> <td>80-9945</td> <td>2</td> </tr> </tbody> </table>	AREA (SQ. FT)	SIZE (INCHES)	CONN. D.O.T. #	POSTS	16.0	48	80-9945	2	 <table border="1"> <thead> <tr> <th>AREA (SQ. FT)</th> <th>SIZE (INCHES)</th> <th>CONN. D.O.T. #</th> <th>POSTS</th> </tr> </thead> <tbody> <tr> <td>9.0</td> <td>36</td> <td>80-9801</td> <td>1</td> </tr> <tr> <td>16.0</td> <td>48</td> <td>80-9802</td> <td>2</td> </tr> </tbody> </table>	AREA (SQ. FT)	SIZE (INCHES)	CONN. D.O.T. #	POSTS	9.0	36	80-9801	1	16.0	48	80-9802	2	 VARIABLE SPEED <table border="1"> <thead> <tr> <th>AREA (SQ. FT)</th> <th>SIZE (INCHES)</th> <th>CONN. D.O.T. #</th> <th>POSTS</th> </tr> </thead> <tbody> <tr> <td>9.0</td> <td>36</td> <td>80-9506</td> <td>1</td> </tr> <tr> <td>16.0</td> <td>48</td> <td>80-9508</td> <td>2</td> </tr> </tbody> </table>	AREA (SQ. FT)	SIZE (INCHES)	CONN. D.O.T. #	POSTS	9.0	36	80-9506	1	16.0	48	80-9508	2	 VARIABLE DISTANCE <table border="1"> <thead> <tr> <th>AREA (SQ. FT)</th> <th>SIZE (INCHES)</th> <th>CONN. D.O.T. #</th> <th>POSTS</th> </tr> </thead> <tbody> <tr> <td>9.0</td> <td>36</td> <td>80-9614</td> <td>1</td> </tr> <tr> <td>16.0</td> <td>48</td> <td>80-9615</td> <td>2</td> </tr> </tbody> </table>	AREA (SQ. FT)	SIZE (INCHES)	CONN. D.O.T. #	POSTS	9.0	36	80-9614	1	16.0	48	80-9615	2	 COPY & BORDER - BLACK BACKGROUND - WHITE <table border="1"> <thead> <tr> <th>AREA (SQ. FT)</th> <th>SIZE (INCHES)</th> <th>CONN. D.O.T. #</th> <th>POSTS</th> </tr> </thead> <tbody> <tr> <td>16.0</td> <td>48</td> <td>80-9837</td> <td>2</td> </tr> <tr> <td>16.0</td> <td>48</td> <td>80-9838</td> <td>2</td> </tr> </tbody> </table>	AREA (SQ. FT)	SIZE (INCHES)	CONN. D.O.T. #	POSTS	16.0	48	80-9837	2	16.0	48	80-9838	2	 COPY & BORDER - BLACK BACKGROUND - WHITE <table border="1"> <thead> <tr> <th>AREA (SQ. FT)</th> <th>SIZE (INCHES)</th> <th>CONN. D.O.T. #</th> <th>POSTS</th> </tr> </thead> <tbody> <tr> <td>9.0</td> <td>36</td> <td>80-9803</td> <td>1</td> </tr> <tr> <td>16.0</td> <td>48</td> <td>80-9804</td> <td>2</td> </tr> </tbody> </table>	AREA (SQ. FT)	SIZE (INCHES)	CONN. D.O.T. #	POSTS	9.0	36	80-9803	1	16.0	48	80-9804	2	 <table border="1"> <thead> <tr> <th>AREA (SQ. FT)</th> <th>SIZE (INCHES)</th> <th>CONN. D.O.T. #</th> <th>POSTS</th> </tr> </thead> <tbody> <tr> <td>32.0</td> <td>96X48</td> <td>80-9815</td> <td>2</td> </tr> </tbody> </table>	AREA (SQ. FT)	SIZE (INCHES)	CONN. D.O.T. #	POSTS	32.0	96X48	80-9815	2	 <table border="1"> <thead> <tr> <th>AREA (SQ. FT)</th> <th>SIZE (INCHES)</th> <th>CONN. D.O.T. #</th> <th>POSTS</th> </tr> </thead> <tbody> <tr> <td>10.5</td> <td>42X36</td> <td>80-9623</td> <td>2</td> </tr> </tbody> </table>	AREA (SQ. FT)	SIZE (INCHES)	CONN. D.O.T. #	POSTS	10.5	42X36	80-9623	2	(VARIABLE LEGEND)	 COPY & BORDER - BLACK PLAIN <table border="1"> <thead> <tr> <th>AREA (SQ. FT)</th> <th>SIZE (INCHES)</th> <th>CONN. D.O.T. #</th> <th>POSTS</th> </tr> </thead> <tbody> <tr> <td>9.0</td> <td>36</td> <td>80-9933</td> <td>1</td> </tr> <tr> <td>16.0</td> <td>48</td> <td>80-9934</td> <td>2</td> </tr> </tbody> </table>	AREA (SQ. FT)	SIZE (INCHES)	CONN. D.O.T. #	POSTS	9.0	36	80-9933	1	16.0	48	80-9934	2	 COPY & BORDER - BLACK PLAIN <table border="1"> <thead> <tr> <th>AREA (SQ. FT)</th> <th>SIZE (INCHES)</th> <th>CONN. D.O.T. #</th> <th>POSTS</th> </tr> </thead> <tbody> <tr> <td>16.0</td> <td>48</td> <td>80-9928</td> <td>2</td> </tr> <tr> <td>24.0</td> <td>72X48</td> <td>80-9929</td> <td>2</td> </tr> </tbody> </table>	AREA (SQ. FT)	SIZE (INCHES)	CONN. D.O.T. #	POSTS	16.0	48	80-9928	2	24.0	72X48	80-9929	2	 <table border="1"> <thead> <tr> <th>AREA (SQ. FT)</th> <th>SIZE (INCHES)</th> <th>CONN. D.O.T. #</th> <th>POSTS</th> </tr> </thead> <tbody> <tr> <td>16.0</td> <td>48</td> <td>80-9956</td> <td>2</td> </tr> </tbody> </table>	AREA (SQ. FT)	SIZE (INCHES)	CONN. D.O.T. #	POSTS	16.0	48	80-9956	2	 <table border="1"> <thead> <tr> <th>AREA (SQ. FT)</th> <th>SIZE (INCHES)</th> <th>CONN. D.O.T. #</th> <th>POSTS</th> </tr> </thead> <tbody> <tr> <td>10.5</td> <td>42X36</td> <td>80-9621</td> <td>2</td> </tr> </tbody> </table>	AREA (SQ. FT)	SIZE (INCHES)	CONN. D.O.T. #	POSTS	10.5	42X36	80-9621	2	(VARIABLE LEGEND)	(VARIABLE LEGEND)	 VARIABLE MILEAGE <table border="1"> <thead> <tr> <th>AREA (SQ. FT)</th> <th>SIZE (INCHES)</th> <th>CONN. D.O.T. #</th> <th>POSTS</th> </tr> </thead> <tbody> <tr> <td>9.0</td> <td>36</td> <td>80-9834</td> <td>1</td> </tr> <tr> <td>16.0</td> <td>48</td> <td>80-9835</td> <td>2</td> </tr> </tbody> </table>	AREA (SQ. FT)	SIZE (INCHES)	CONN. D.O.T. #	POSTS	9.0	36	80-9834	1	16.0	48	80-9835	2
AREA (SQ. FT)	SIZE (INCHES)	CONN. D.O.T. #	POSTS																																																																																																																																																				
16.0	48	80-9945	2																																																																																																																																																				
AREA (SQ. FT)	SIZE (INCHES)	CONN. D.O.T. #	POSTS																																																																																																																																																				
9.0	36	80-9801	1																																																																																																																																																				
16.0	48	80-9802	2																																																																																																																																																				
AREA (SQ. FT)	SIZE (INCHES)	CONN. D.O.T. #	POSTS																																																																																																																																																				
9.0	36	80-9506	1																																																																																																																																																				
16.0	48	80-9508	2																																																																																																																																																				
AREA (SQ. FT)	SIZE (INCHES)	CONN. D.O.T. #	POSTS																																																																																																																																																				
9.0	36	80-9614	1																																																																																																																																																				
16.0	48	80-9615	2																																																																																																																																																				
AREA (SQ. FT)	SIZE (INCHES)	CONN. D.O.T. #	POSTS																																																																																																																																																				
16.0	48	80-9837	2																																																																																																																																																				
16.0	48	80-9838	2																																																																																																																																																				
AREA (SQ. FT)	SIZE (INCHES)	CONN. D.O.T. #	POSTS																																																																																																																																																				
9.0	36	80-9803	1																																																																																																																																																				
16.0	48	80-9804	2																																																																																																																																																				
AREA (SQ. FT)	SIZE (INCHES)	CONN. D.O.T. #	POSTS																																																																																																																																																				
32.0	96X48	80-9815	2																																																																																																																																																				
AREA (SQ. FT)	SIZE (INCHES)	CONN. D.O.T. #	POSTS																																																																																																																																																				
10.5	42X36	80-9623	2																																																																																																																																																				
AREA (SQ. FT)	SIZE (INCHES)	CONN. D.O.T. #	POSTS																																																																																																																																																				
9.0	36	80-9933	1																																																																																																																																																				
16.0	48	80-9934	2																																																																																																																																																				
AREA (SQ. FT)	SIZE (INCHES)	CONN. D.O.T. #	POSTS																																																																																																																																																				
16.0	48	80-9928	2																																																																																																																																																				
24.0	72X48	80-9929	2																																																																																																																																																				
AREA (SQ. FT)	SIZE (INCHES)	CONN. D.O.T. #	POSTS																																																																																																																																																				
16.0	48	80-9956	2																																																																																																																																																				
AREA (SQ. FT)	SIZE (INCHES)	CONN. D.O.T. #	POSTS																																																																																																																																																				
10.5	42X36	80-9621	2																																																																																																																																																				
AREA (SQ. FT)	SIZE (INCHES)	CONN. D.O.T. #	POSTS																																																																																																																																																				
9.0	36	80-9834	1																																																																																																																																																				
16.0	48	80-9835	2																																																																																																																																																				
W16 - SERIES COPY & BORDER - BLACK BACKGROUND - ORANGE <table border="1"> <thead> <tr> <th>AREA (SQ. FT)</th> <th>SIZE (INCHES)</th> <th>CONN. D.O.T. #</th> <th>POSTS</th> </tr> </thead> <tbody> <tr> <td>2.0</td> <td>24X12</td> <td>80-9049</td> <td>2</td> </tr> </tbody> </table>	AREA (SQ. FT)	SIZE (INCHES)	CONN. D.O.T. #	POSTS	2.0	24X12	80-9049	2	 COPY & BORDER - BLACK BACKGROUND - WHITE <table border="1"> <thead> <tr> <th>AREA (SQ. FT)</th> <th>SIZE (INCHES)</th> <th>CONN. D.O.T. #</th> <th>POSTS</th> </tr> </thead> <tbody> <tr> <td>16.0</td> <td>48</td> <td>80-9846</td> <td>2</td> </tr> <tr> <td>16.0</td> <td>48</td> <td>80-9849</td> <td>2</td> </tr> </tbody> </table>	AREA (SQ. FT)	SIZE (INCHES)	CONN. D.O.T. #	POSTS	16.0	48	80-9846	2	16.0	48	80-9849	2	 COPY & BORDER - BLACK BACKGROUND - WHITE <table border="1"> <thead> <tr> <th>AREA (SQ. FT)</th> <th>SIZE (INCHES)</th> <th>CONN. D.O.T. #</th> <th>POSTS</th> </tr> </thead> <tbody> <tr> <td>2.5</td> <td>30X12</td> <td>80-9872</td> <td>1</td> </tr> <tr> <td>4.5</td> <td>36X18</td> <td>80-9873</td> <td>1</td> </tr> </tbody> </table>	AREA (SQ. FT)	SIZE (INCHES)	CONN. D.O.T. #	POSTS	2.5	30X12	80-9872	1	4.5	36X18	80-9873	1	 VARIABLE MILEAGE <table border="1"> <thead> <tr> <th>AREA (SQ. FT)</th> <th>SIZE (INCHES)</th> <th>CONN. D.O.T. #</th> <th>POSTS</th> </tr> </thead> <tbody> <tr> <td>9.0</td> <td>36</td> <td>80-9805</td> <td>1</td> </tr> <tr> <td>16.0</td> <td>48</td> <td>80-9806</td> <td>2</td> </tr> </tbody> </table>	AREA (SQ. FT)	SIZE (INCHES)	CONN. D.O.T. #	POSTS	9.0	36	80-9805	1	16.0	48	80-9806	2	 COPY & BORDER - BLACK BACKGROUND - WHITE <table border="1"> <thead> <tr> <th>AREA (SQ. FT)</th> <th>SIZE (INCHES)</th> <th>CONN. D.O.T. #</th> <th>POSTS</th> </tr> </thead> <tbody> <tr> <td>16.0</td> <td>48</td> <td>80-9846</td> <td>2</td> </tr> <tr> <td>16.0</td> <td>48</td> <td>80-9849</td> <td>2</td> </tr> </tbody> </table>	AREA (SQ. FT)	SIZE (INCHES)	CONN. D.O.T. #	POSTS	16.0	48	80-9846	2	16.0	48	80-9849	2	 VARIABLE MILEAGE <table border="1"> <thead> <tr> <th>AREA (SQ. FT)</th> <th>SIZE (INCHES)</th> <th>CONN. D.O.T. #</th> <th>POSTS</th> </tr> </thead> <tbody> <tr> <td>2.5</td> <td>30X12</td> <td>80-9872</td> <td>1</td> </tr> <tr> <td>4.5</td> <td>36X18</td> <td>80-9873</td> <td>1</td> </tr> </tbody> </table>	AREA (SQ. FT)	SIZE (INCHES)	CONN. D.O.T. #	POSTS	2.5	30X12	80-9872	1	4.5	36X18	80-9873	1	 <table border="1"> <thead> <tr> <th>AREA (SQ. FT)</th> <th>SIZE (INCHES)</th> <th>CONN. D.O.T. #</th> <th>POSTS</th> </tr> </thead> <tbody> <tr> <td>10.5</td> <td>42X36</td> <td>80-9621</td> <td>2</td> </tr> </tbody> </table>	AREA (SQ. FT)	SIZE (INCHES)	CONN. D.O.T. #	POSTS	10.5	42X36	80-9621	2	(VARIABLE LEGEND)	(VARIABLE LEGEND)	 VARIABLE MILEAGE <table border="1"> <thead> <tr> <th>AREA (SQ. FT)</th> <th>SIZE (INCHES)</th> <th>CONN. D.O.T. #</th> <th>POSTS</th> </tr> </thead> <tbody> <tr> <td>9.0</td> <td>36</td> <td>80-9805</td> <td>1</td> </tr> <tr> <td>16.0</td> <td>48</td> <td>80-9806</td> <td>2</td> </tr> </tbody> </table>	AREA (SQ. FT)	SIZE (INCHES)	CONN. D.O.T. #	POSTS	9.0	36	80-9805	1	16.0	48	80-9806	2																																																						
AREA (SQ. FT)	SIZE (INCHES)	CONN. D.O.T. #	POSTS																																																																																																																																																				
2.0	24X12	80-9049	2																																																																																																																																																				
AREA (SQ. FT)	SIZE (INCHES)	CONN. D.O.T. #	POSTS																																																																																																																																																				
16.0	48	80-9846	2																																																																																																																																																				
16.0	48	80-9849	2																																																																																																																																																				
AREA (SQ. FT)	SIZE (INCHES)	CONN. D.O.T. #	POSTS																																																																																																																																																				
2.5	30X12	80-9872	1																																																																																																																																																				
4.5	36X18	80-9873	1																																																																																																																																																				
AREA (SQ. FT)	SIZE (INCHES)	CONN. D.O.T. #	POSTS																																																																																																																																																				
9.0	36	80-9805	1																																																																																																																																																				
16.0	48	80-9806	2																																																																																																																																																				
AREA (SQ. FT)	SIZE (INCHES)	CONN. D.O.T. #	POSTS																																																																																																																																																				
16.0	48	80-9846	2																																																																																																																																																				
16.0	48	80-9849	2																																																																																																																																																				
AREA (SQ. FT)	SIZE (INCHES)	CONN. D.O.T. #	POSTS																																																																																																																																																				
2.5	30X12	80-9872	1																																																																																																																																																				
4.5	36X18	80-9873	1																																																																																																																																																				
AREA (SQ. FT)	SIZE (INCHES)	CONN. D.O.T. #	POSTS																																																																																																																																																				
10.5	42X36	80-9621	2																																																																																																																																																				
AREA (SQ. FT)	SIZE (INCHES)	CONN. D.O.T. #	POSTS																																																																																																																																																				
9.0	36	80-9805	1																																																																																																																																																				
16.0	48	80-9806	2																																																																																																																																																				

- NOTES:
- R1-SERIES SIGN THE LEGEND "O.S.T.A." SHALL APPEAR.
 - POSTS - SEE STANDARD SHEET TR-1208.02 - "METAL SIGN POSTS AND SIGN MOUNTING DETAILS".
 - POSTS SHALL BE 4 LBS./FT.
 - ALL POSTS NOTED ARE FOR LONG TERM INSTALLATION. SEE STANDARD SHEET TR-1208.02.
 - FOR TEMPORARY SUPPORTS SEE STANDARD SHEET TR-1220.02 - "CONSTRUCTION SIGN SUPPORTS AND CHANNELIZING DEVICES".
 - FOR SPECIFIC SIGN DESIGN, CONTACT CONN. D.O.T., DIVISION OF TRAFFIC ENGINEERING. FOR BOLT HOLE PATTERN REFER TO FHWA PUBLICATION "STANDARD HIGHWAY SIGNS". SIGNS OF DIFFERENT DIMENSIONS TO BE ERRECTED ON THE SAME POSTS, OR SPAN/MAST ARM MOUNTED, MAY REQUIRE SPECIAL BOLT HOLE PATTERNS.
 - ALL CONSTRUCTION SIGNS TO BE PAID FOR UNDER THE CONSTRUCTION SIGNS ITEM IN THE CONTRACT.
 - MATERIALS & COLORS SHALL CONFORM TO STATE SPECIFICATIONS.

MATERIALS:
 SIGNS AND THEIR PORTABLE SUPPORTS SHALL CONFORM TO THE REQUIREMENTS OF NCHRP REPORT 350 (TL-3) OR THE AASHTO MASH FOR CATEGORY 2 DEVICES. ALUMINUM THICKNESS FOR POST MOUNTED SIGNS SHALL BE .100" EXCEPT SIGN #s. 80-1605, 80-9914, 80-9815, 80-9728, 80-9519, & 51-6147 (L OR R) WHICH SHALL BE .125". PLYWOOD THICKNESS FOR POST MOUNTED SIGNS SHALL BE 1/2" EXCEPT GRADE A-C OR BETTER. SIGN BLANKS SHALL HAVE ONE COAT OF PRIMER PAINT PRIOR TO APPLICATION OF RETROREFLECTIVE SHEETING & COPY.

COLORS:
 BACKGROUND - FLUORESCENT ORANGE - EXCEPT AS NOTED.
 LEGEND - BLACK - EXCEPT AS NOTED.
 ALL SIGNS WITH FLUORESCENT ORANGE BACKGROUND TO USE TYPE VIII RETROREFLECTIVE SHEETING.
 ALL OTHER SIGNS TO USE TYPE IX RETROREFLECTIVE SHEETING.

6 8-2018 REVISED POST REQUIREMENTS AND SHEETING TYPE. 5 8-2015 UPDATED PER MUTCD AND FORM 816 JAN 2015 REVISION. 4 6-2012 REVISED NOTE # 1 TO REFERENCE "O.S.T.A." 3 4-2012 REVISED NEW SIGNAL SIGN(S) TO CONFORM TO 2009 MUTCD. 2 2-2011 MINOR REVISIONS. 1 3-2010 REMOVED OBSOLETE SIGNS (50-5925, 50-5935).	THE INFORMATION, INCLUDING ESTIMATED QUANTITIES OF WORK SHOWN ON THESE SHEETS IS BASED ON LIMITED INVESTIGATIONS BY THE STATE AND IS IN NO WAY WARRANTED TO INDICATE THE CONDITIONS OF ACTUAL QUANTITIES OF WORK WHICH WILL BE REQUIRED.	 STATE OF CONNECTICUT DEPARTMENT OF TRANSPORTATION	SUBMITTED BY: NAME/DATE/TIME: APPROVED BY: NAME/DATE/TIME:	CTDOT STANDARD SHEET OFFICE OF ENGINEERING	STANDARD SHEET TITLE: SIGNS FOR CONSTRUCTION AND PERMIT OPERATIONS	STANDARD SHEET NO.: TR-1220_01
REV. DATE REVISION DESCRIPTION Plotted Date: 8/10/2018 NOT TO SCALE Filename: TR-1220.01.1.2018.dgn Model: TR-1220_01						