

NOTE:

1. SEE 2009 MUTCD FIGURE 91-8 FOR TAPER FORMULA.
2. SEE STD PLAN NO'S 432a & 432b FOR MULTI-PURPOSE TRAIL DESIGN PLANS.

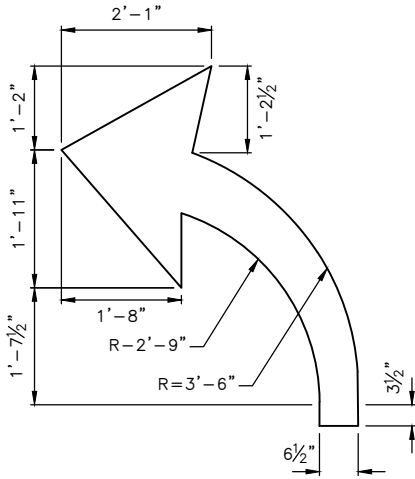
REF STD SPEC SEC 8-22



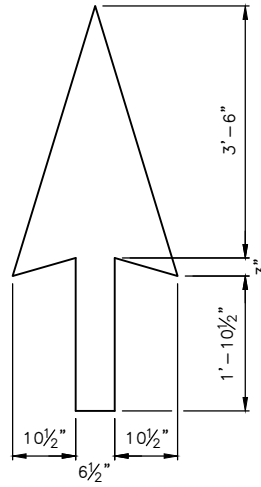
City of Seattle

NOT TO SCALE

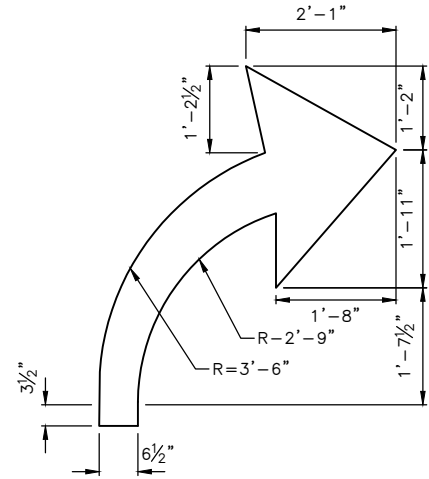
**TRAIL OBSTRUCTION
CHANNELIZATION**



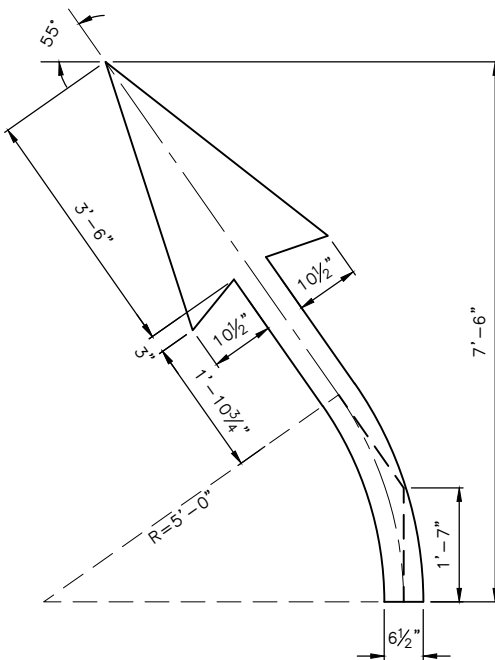
720A
LEFT ARROW



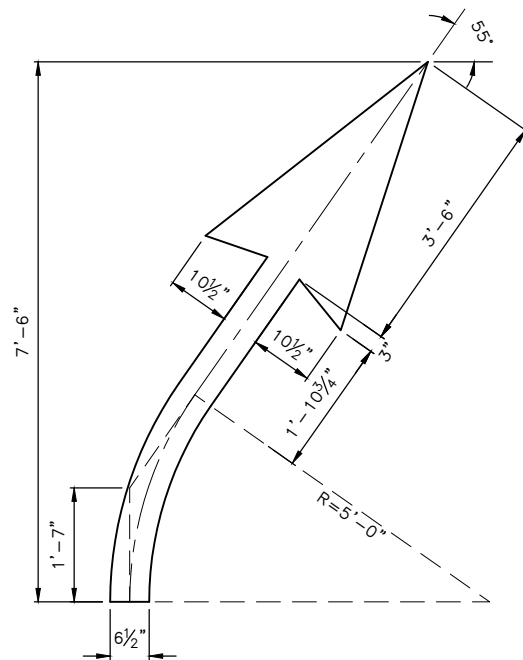
720B
THROUGH ARROW



720C
RIGHT ARROW



720D
OBLIQUE LEFT ARROW



720E
OBLIQUE RIGHT ARROW

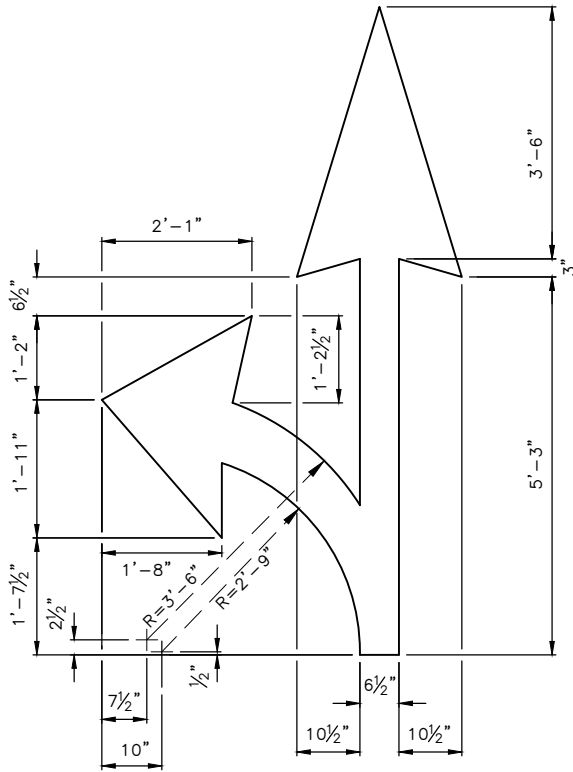
REF STD SPEC SEC 8-22



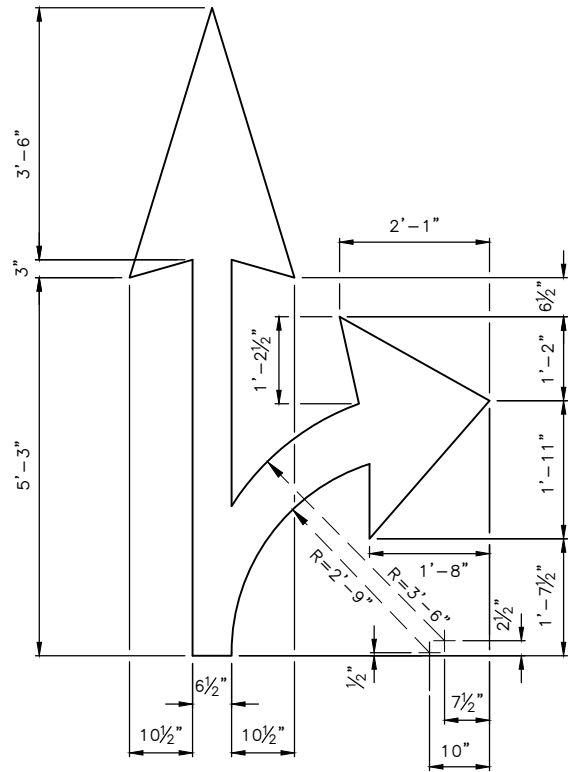
City of Seattle

NOT TO SCALE

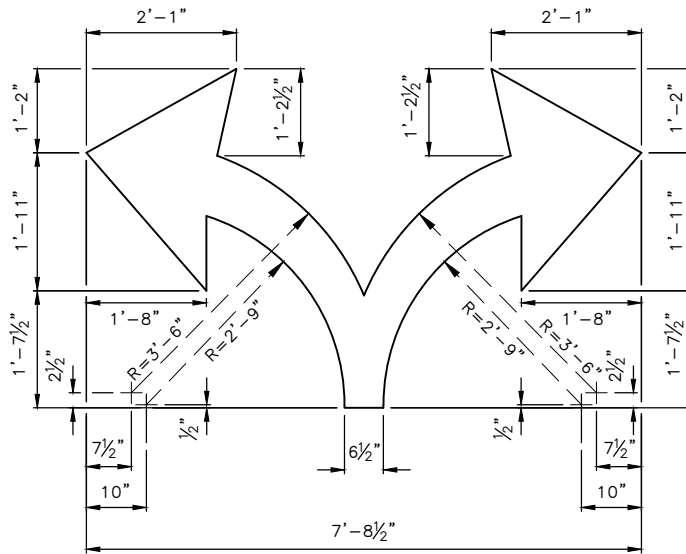
**MANDATORY MOVEMENT
ARROWS**



721A
LEFT & THROUGH ARROWS



721B
RIGHT & THROUGH ARROWS



721C
LEFT & RIGHT ARROWS

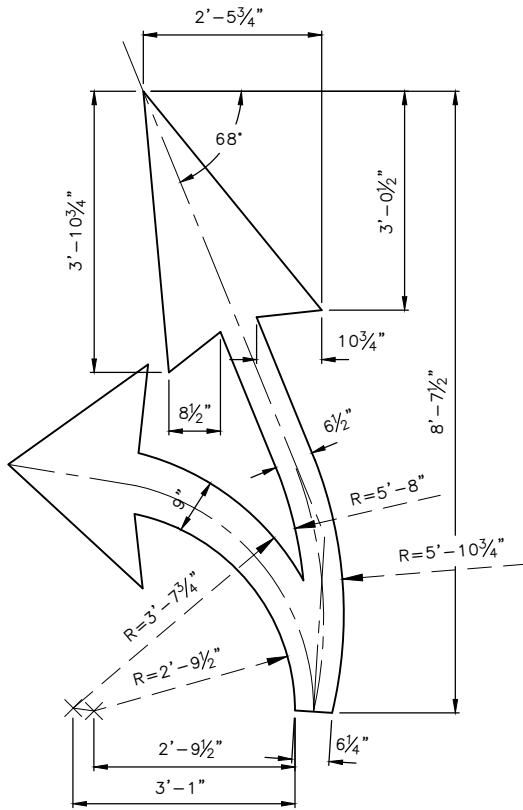
REF STD SPEC SEC 8-22



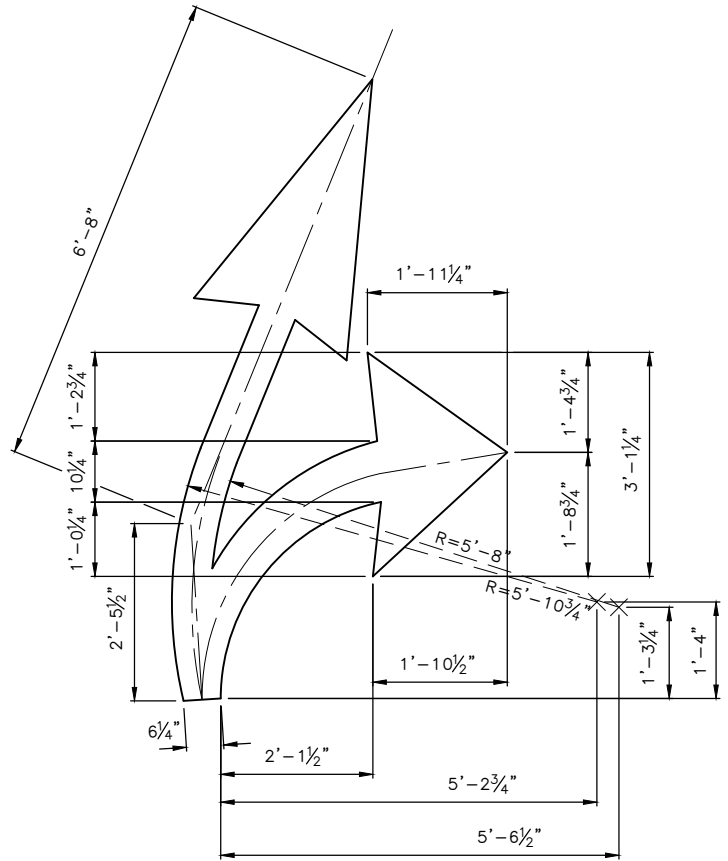
City of Seattle

NOT TO SCALE

OPTIONAL MOVEMENT
ARROWS



722A
LEFT & OBLIQUE LEFT ARROW



722B
RIGHT & OBLIQUE RIGHT ARROW

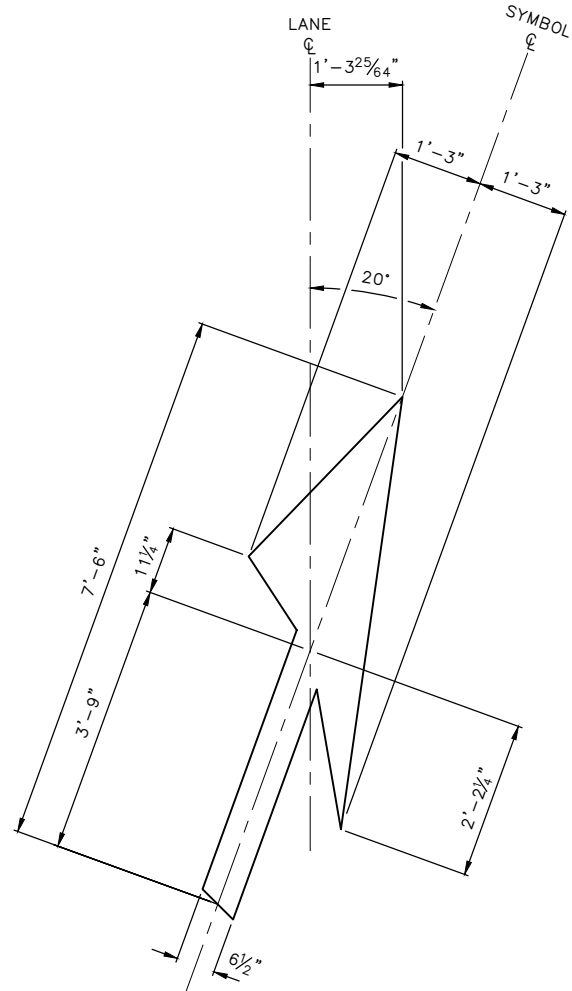
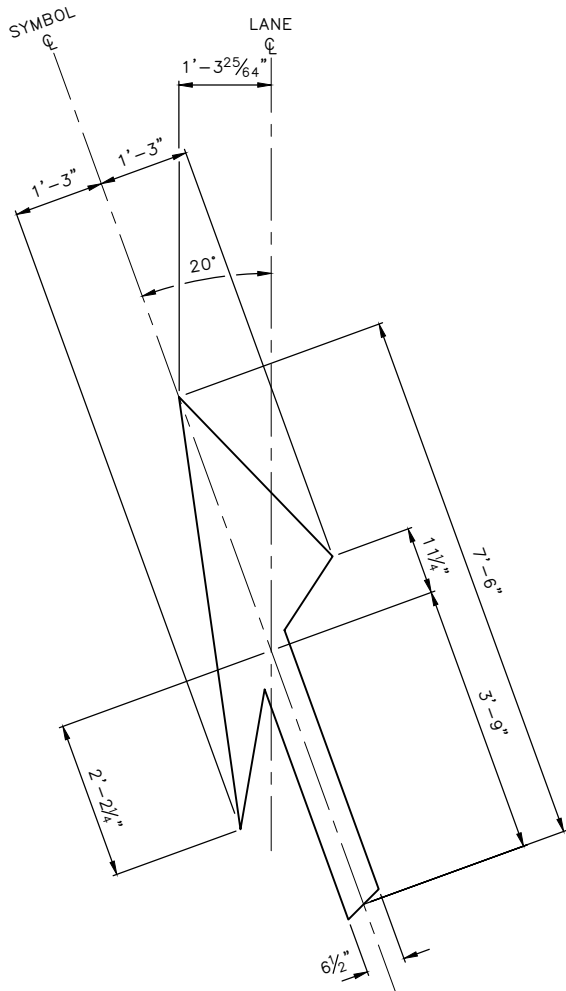
REF STD SPEC SEC 8-22



City of Seattle

NOT TO SCALE

OPTIONAL MOVMENT ARROWS
WITH OBLIQUE ARROWS



723A
LEFT MERGE/LANE REDUCTION ARROWS

723B
RIGHT MERGE/LANE REDUCTION ARROWS

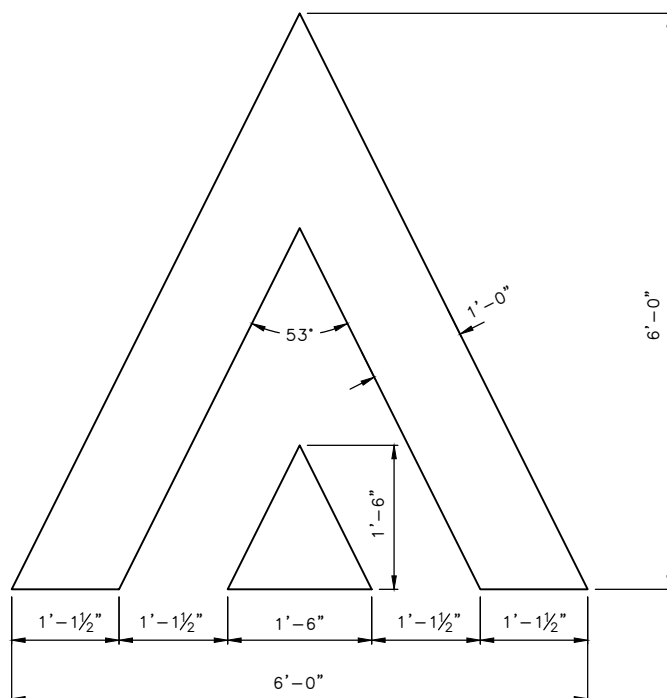
REF STD SPEC SEC 8-22



City of Seattle

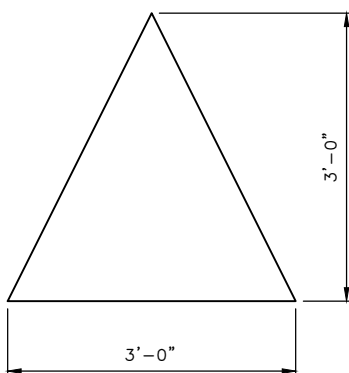
NOT TO SCALE

MERGE ARROWS



728A
CHEVRON WITH TRIANGLE

NOTE:
THIS SYMBOL MAY BE RESIZED FOR BIKE FACILITIES.
DIMENSIONS IN THOSE INSTANCES MUST BE SHOWN ON
DESIGN DRAWINGS.



728B
CENTER CUSHION TRIANGLE

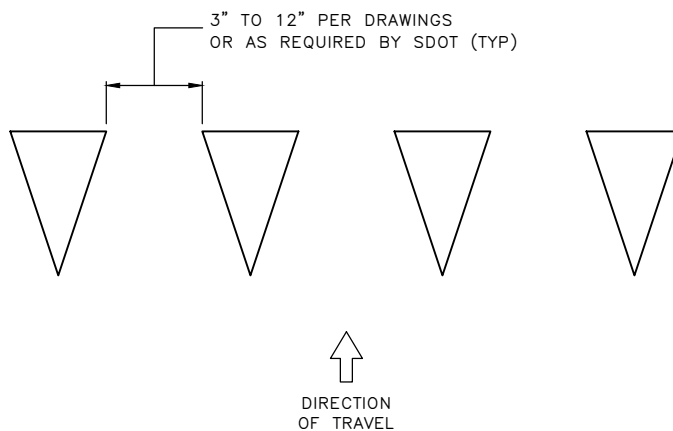
REF STD SPEC SEC 8-22



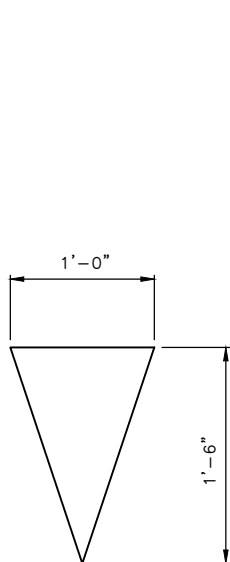
City of Seattle

NOT TO SCALE

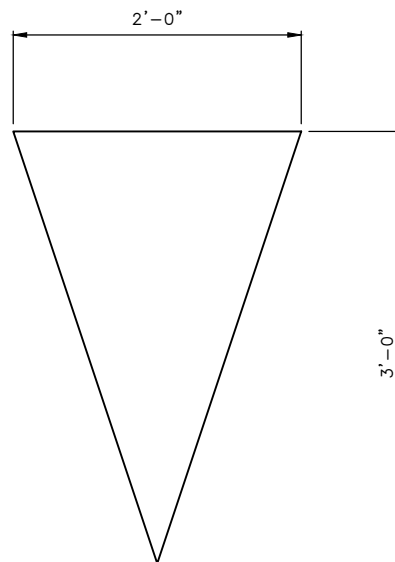
**SPEED HUMP &
SPEED CUSHION SYMBOL**



YIELD LINE LAYOUT



729A
YIELD LINE WITH 18" TALL TRIANGLES



729B
YIELD LINE WITH 36" TALL TRIANGLES

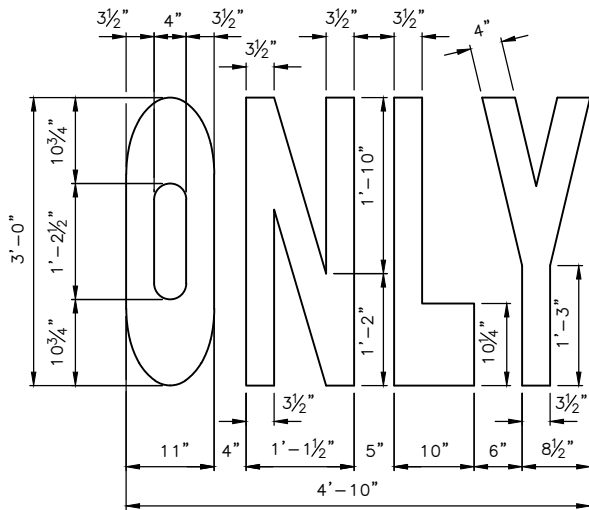
REF STD SPEC SEC 8-22



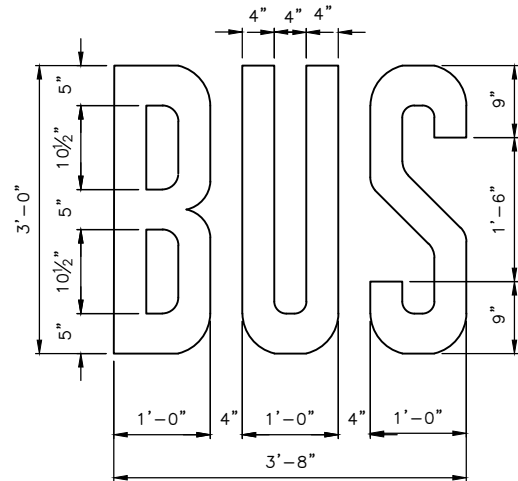
City of Seattle

NOT TO SCALE

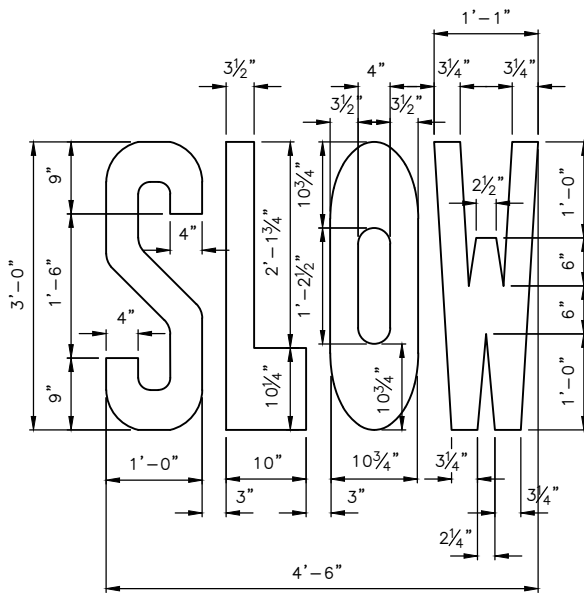
YIELD LINE LAYOUT &
YIELD LINE TRIANGLE SYMBOLS



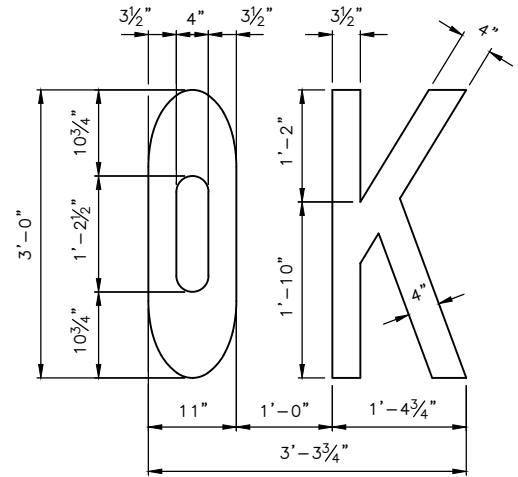
730A
"ONLY" LEGEND



730B
"BUS" LEGEND



730C
"SLOW" LEGEND



730D
"OK" LEGEND

NOTE:
THIS SYMBOL MAY BE RESIZED FOR BIKE FACILITIES

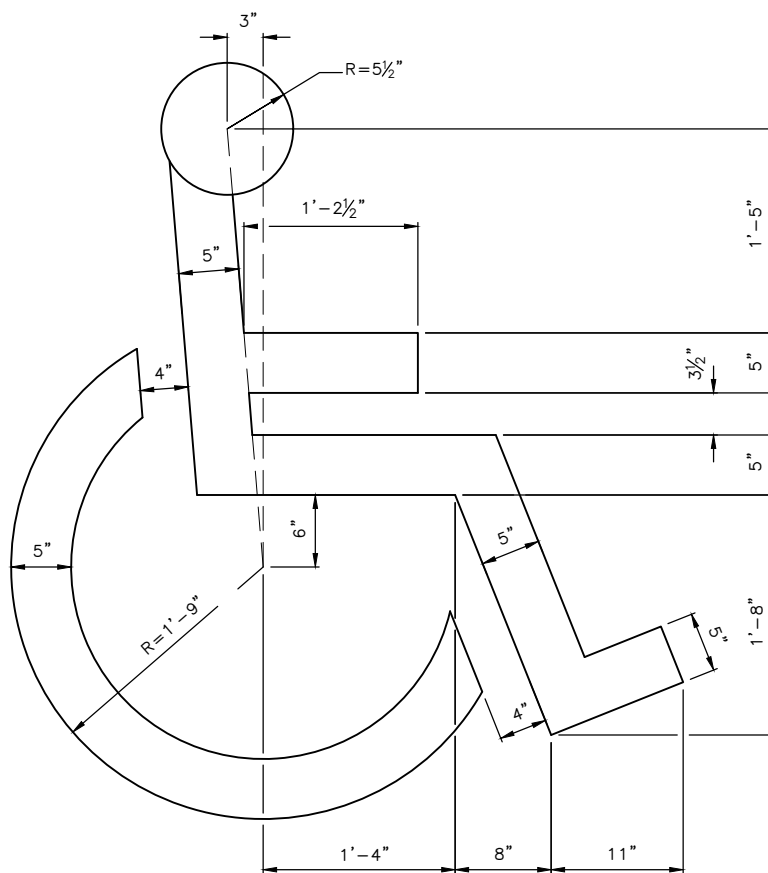
REF STD SPEC SEC 8-22



City of Seattle

NOT TO SCALE

PAVEMENT MARKINGS
LEGENDS



740A
INTERNATIONAL SYMBOL OF ACCESSIBILITY

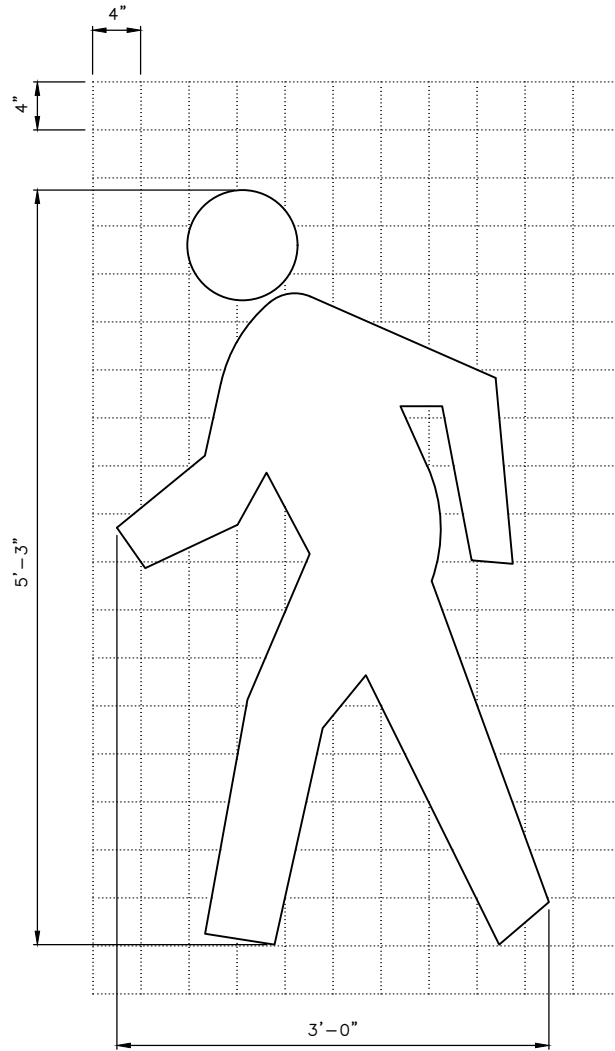
REF STD SPEC SEC 8-22



City of Seattle

NOT TO SCALE

INTERNATIONAL SYMBOL
OF ACCESSIBILITY



741A
PEDESTRIAN SYMBOL

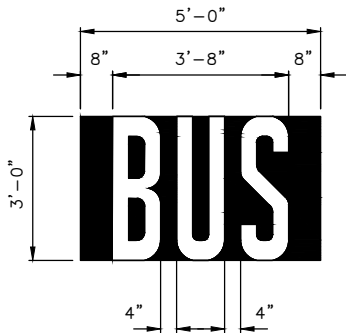
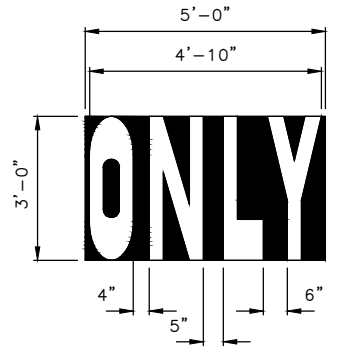
REF STD SPEC SEC 8-22



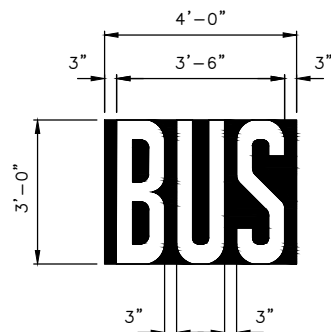
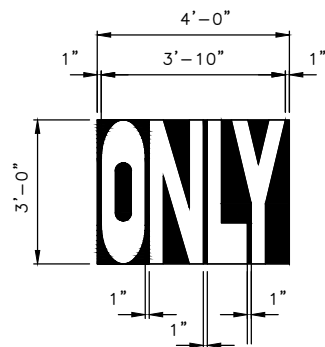
City of Seattle

NOT TO SCALE

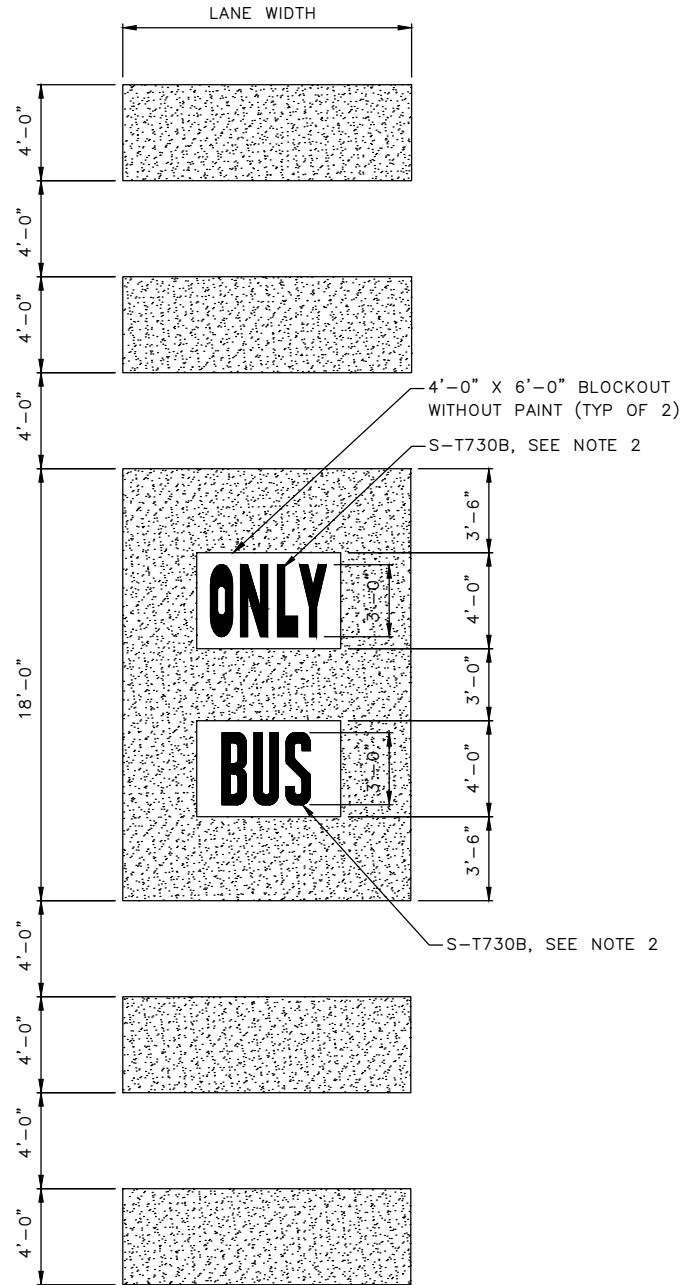
PEDESTRIAN SYMBOL



DETAIL A



DETAIL B



NOTES:

1. FHWA APPROVED RED COLOR FOR BUS LANES MUST BE USED WITH MMA.
2. FOR APPLICATION ON CEM CONC PVMT, LEGENDS PER STANDARD PLAN 730 MUST HAVE A 5'-0" X 3'-0" COLOR BLACK THERMOPLASTIC BACKGROUND PER DETAIL A. FOR APPLICATION ON CEM CONC PVMT IN A STREET CAR TRACK, LEGENDS PER STANDARD PLAN 730 MUST HAVE A 4'-0" X 3'-0" COLOR BLACK THERMOPLASTIC BACKGROUND PER DETAIL B. PROVIDE 6" MINIMUM GAP BETWEEN THERMO LEGENDS AND RED MMA.

750
RED BUS LANE MARKINGS

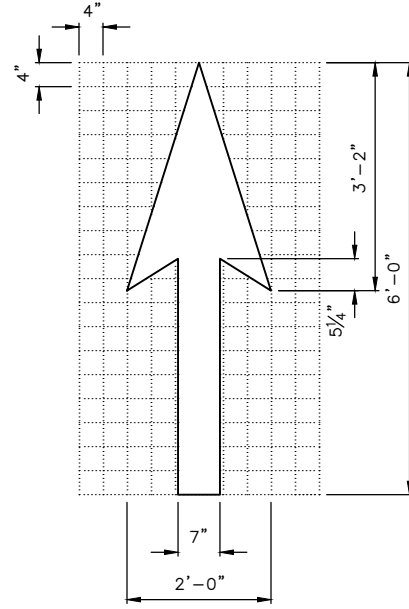
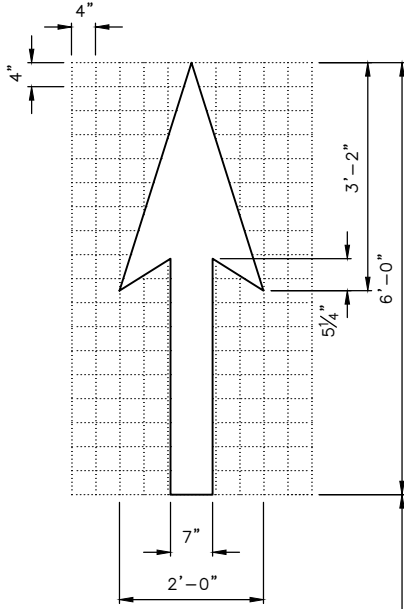
REF STD SPEC SEC 8-22



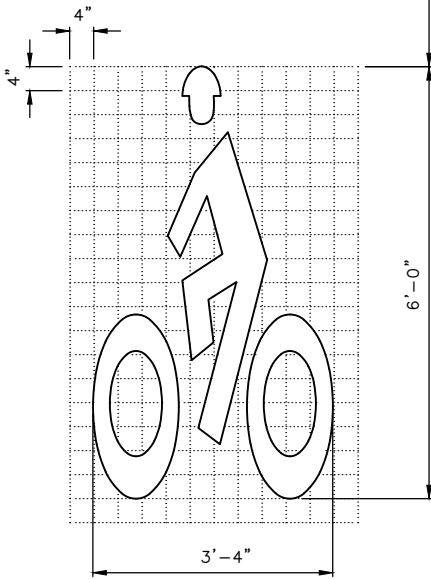
City of Seattle

NOT TO SCALE

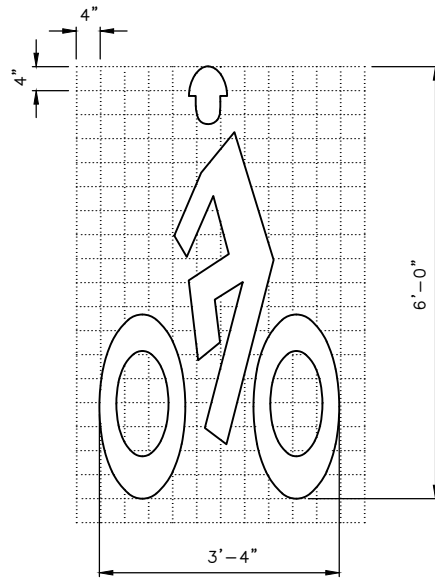
RED BUS LANE MARKINGS



770B
BICYCLE LANE THROUGH ARROW



770A
HELMETED BICYCLIST SYMBOL WITH ARROW



770C
HELMETED BICYCLIST SYMBOL

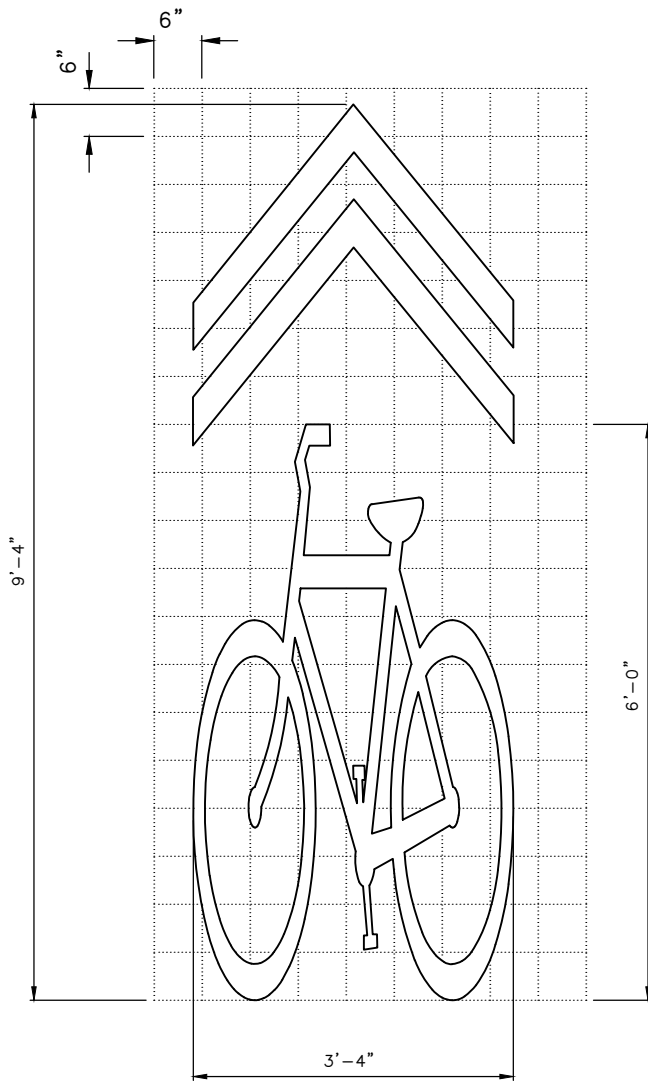
REF STD SPEC SEC 8-22



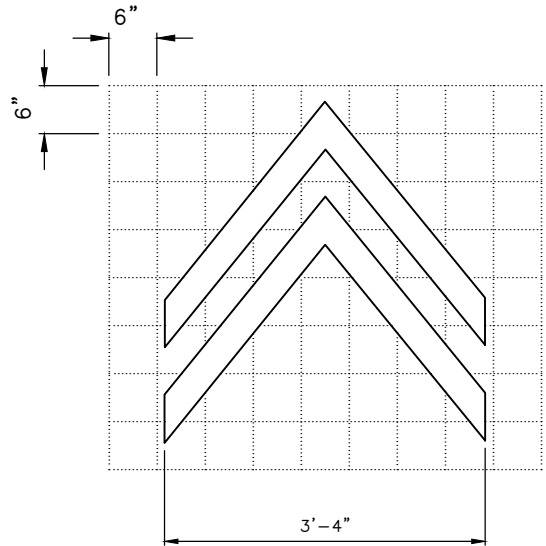
City of Seattle

NOT TO SCALE

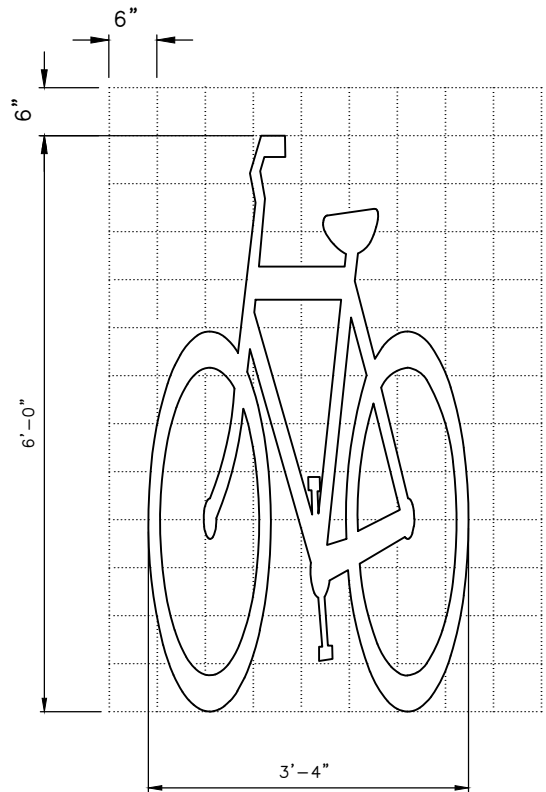
HELMETED BICYCLIST SYMBOL WITH ARROW



771A
SHARROW



771B
CHEVRON FOR SHARROW



771C
BIKE SYMBOL

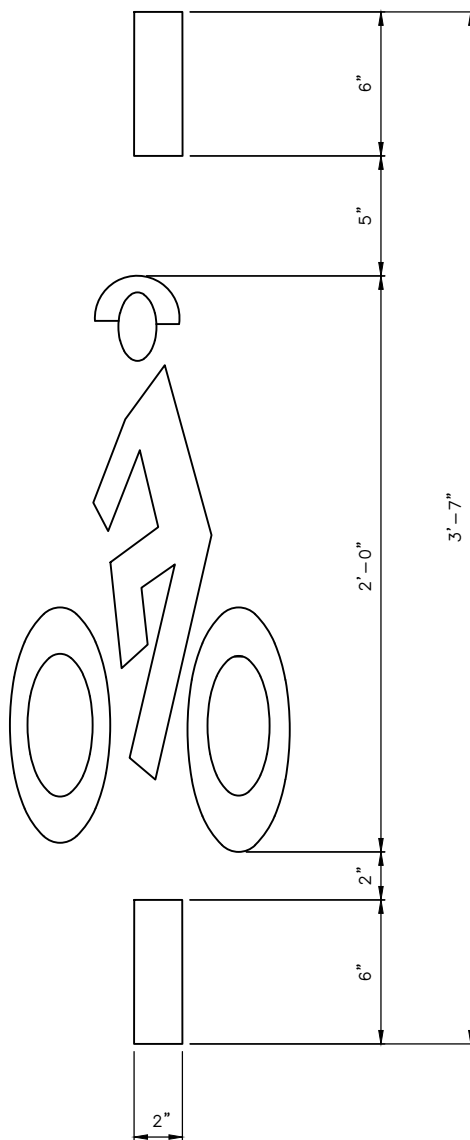
REF STD SPEC SEC 8-22



City of Seattle

NOT TO SCALE

SHARROW & BIKE SYMBOLS



772
BICYCLE DETECTOR SYMBOL

NOTE:
SEE STD PLAN NO 530b FOR PLACEMENT

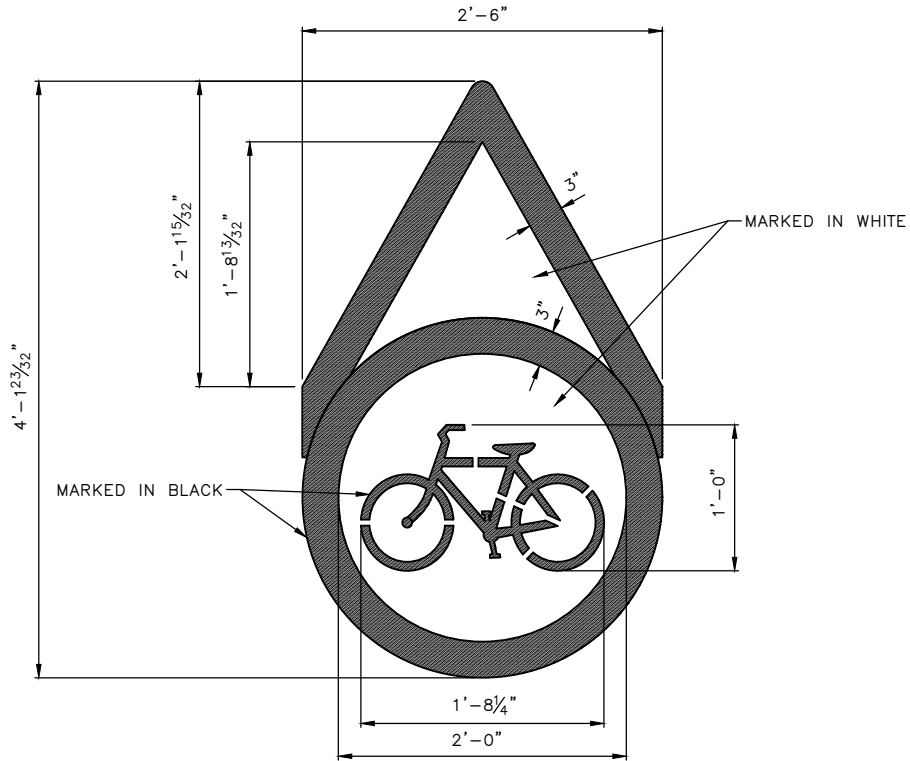
REF STD SPEC SEC 8-22



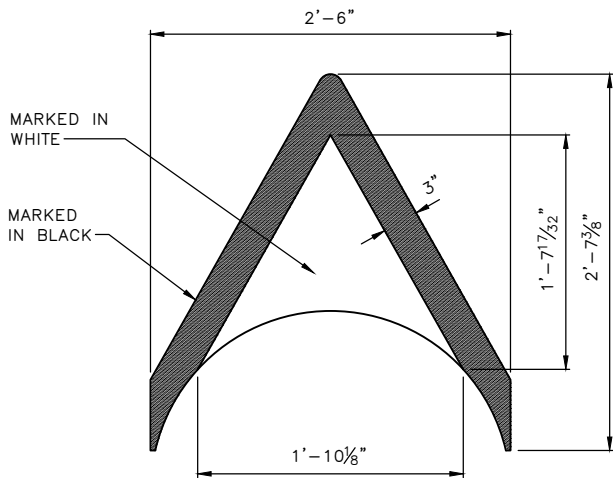
City of Seattle

NOT TO SCALE

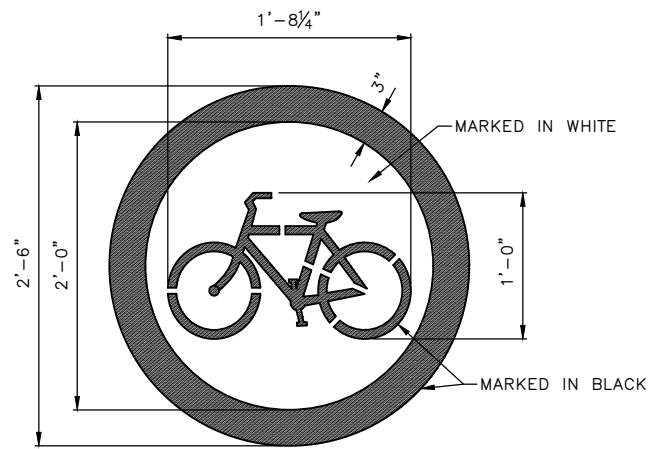
BICYCLE DETECTOR
SYMBOL



773A
BIKE DOT SYMBOL WITH ARROW



773B
BIKE DOT ARROW



773C
BIKE DOT SYMBOL

REF STD SPEC SEC 8-22

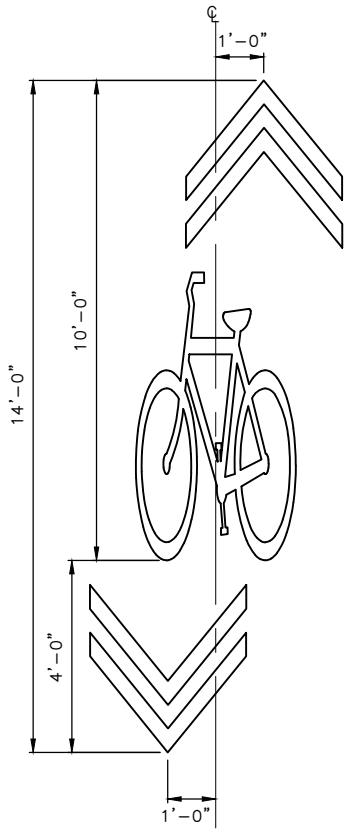


City of Seattle

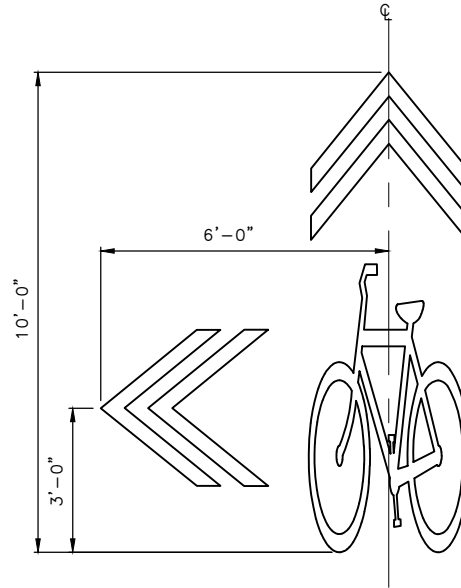
NOT TO SCALE

BIKE DOT SYMBOL
WITH ARROW

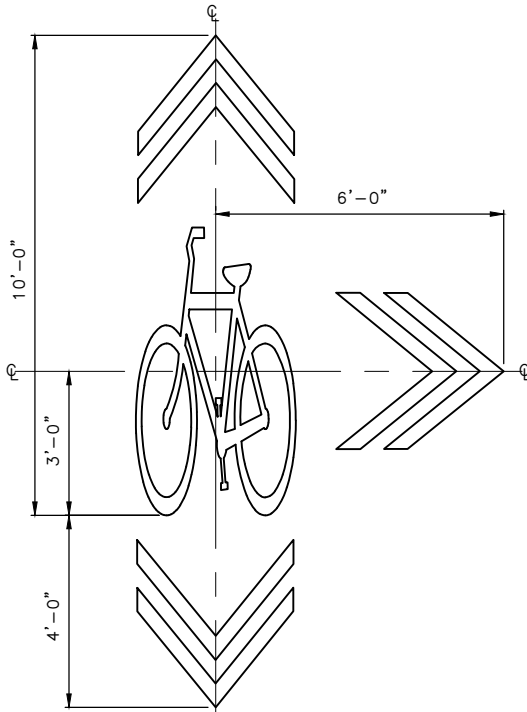
NOTE:
SEE STD PLAN NO 771 FOR SYMBOL DIMENSIONS.



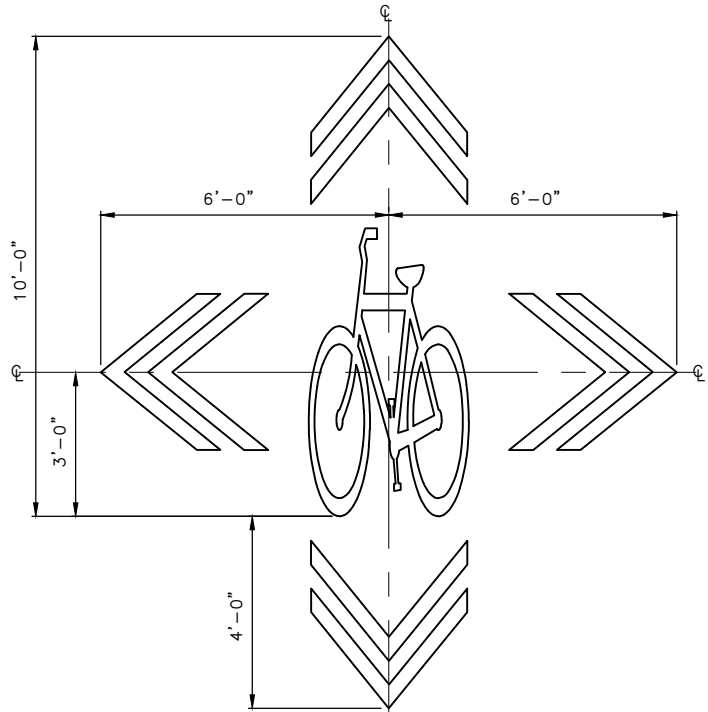
774A
GREENWAY THROUGH SYMBOL



774B
GREENWAY ROUTE TURNS SYMBOL



774C
GREENWAY THREE-ROUTE SYMBOL



774D
GREENWAY FOUR-ROUTE SYMBOL

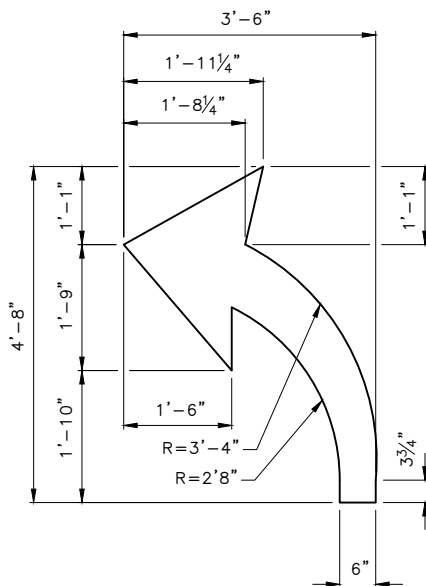
REF STD SPEC SEC 8-22



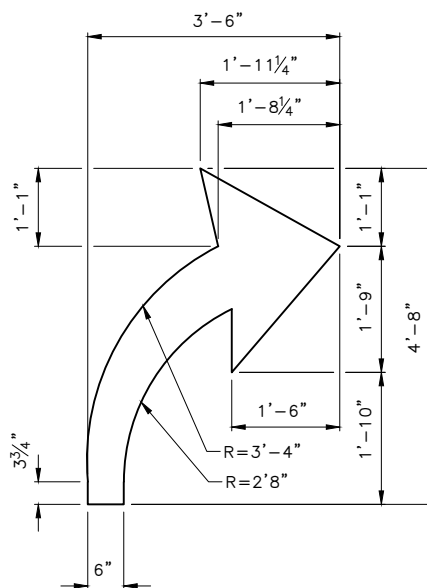
City of Seattle

NOT TO SCALE

GREENWAY MARKINGS



775A
NARROW BIKE LANE
LEFT ARROW



775B
NARROW BIKE LANE
RIGHT ARROW

NOTES:

1. TURN ARROWS TO BE USED IN BIKE LANES LESS THAN 5' WIDE IN COMBINATION WITH THE HELMETED BICYCLIST SYMBOL 770C.
2. LAYOUT SIMILAR TO 770A WITH 6' SPACING.

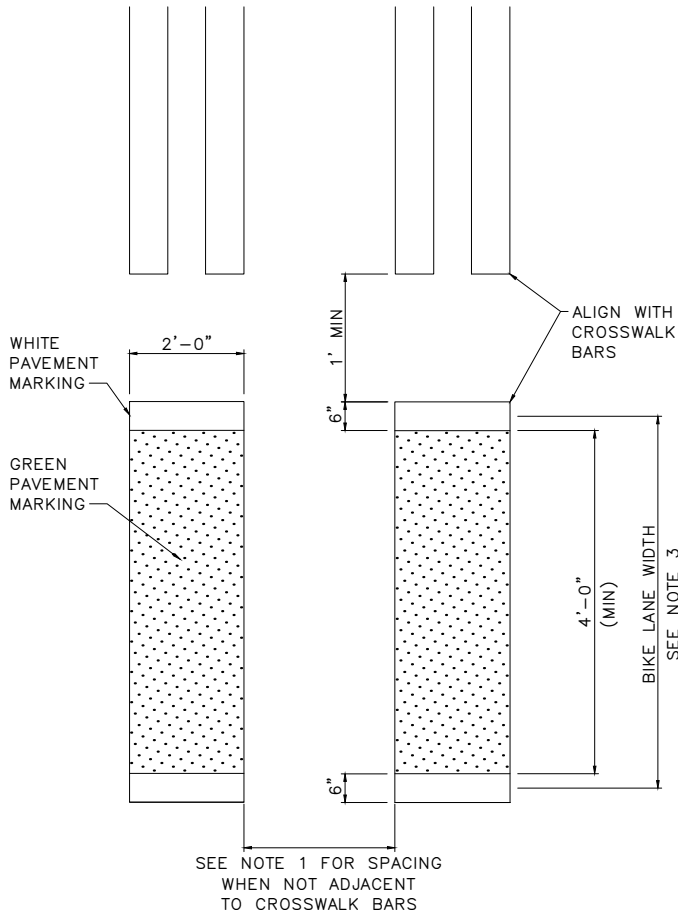
REF STD SPEC SEC 8-22



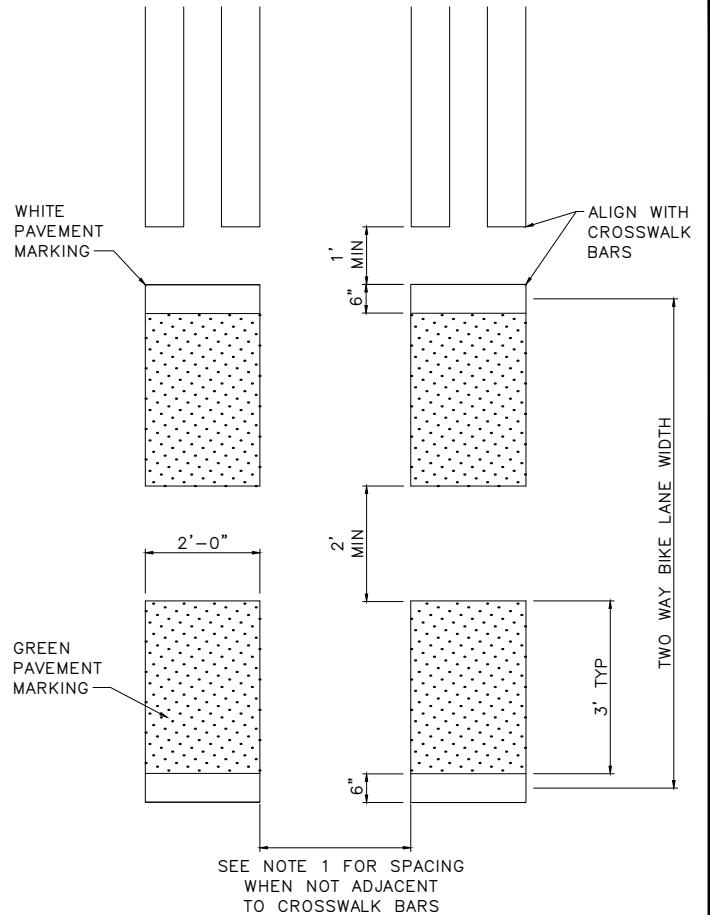
City of Seattle

NOT TO SCALE

**NARROW BIKE LANE
TURN ARROW SYMBOLS**



780A
ONE-WAY CROSS BIKE LAYOUT



780B
TWO-WAY CROSS BIKE LAYOUT

NOTES:

1. WHERE STRIPED CROSSWALK DOES NOT EXIST, CROSS BIKE MUST BE PLACED AT LANE LINE AND 1/2 LANE WIDTH CONSISTENT WITH STANDARD PLAN 712. IF NO CROSSWALK OR LANE LINE EXISTS, CROSSBIKE MUST BE PLACED AT 5' ON CENTERS.
2. CROSS BIKE MATERIAL MUST BE MMA OR PRE-FORMED THERMOPLASTIC.
3. WHEN CONNECTING BIKE LANES OF VARYING WIDTH, THE CROSSBIKE WIDTH MUST BE SIZED TO THE NARROWER OF THE TWO FACILITIES.

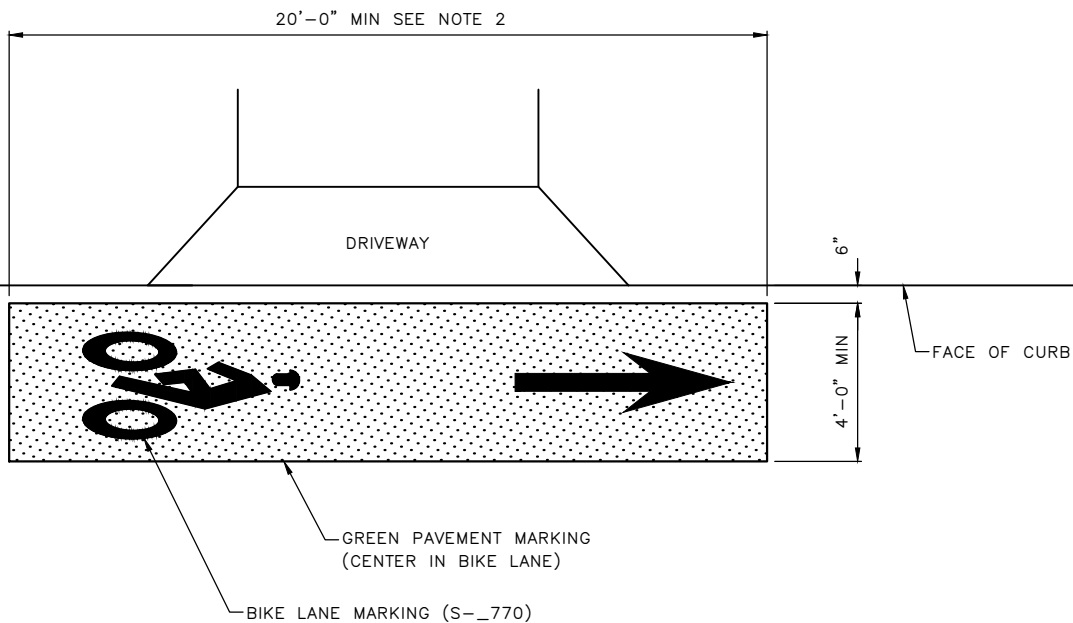
REF STD SPEC SEC 8-22



City of Seattle

NOT TO SCALE

**CROSS BIKE
PAVEMENT MARKING**



DRIVEWAY CROSSING LAYOUT

NOTES:

- 1. DRIVEWAY CROSSING MATERIAL MUST BE MMA OR PRE-FORMED THERMOPLASTIC
- 2. MATCH DRIVEWAY APRON IF WIDER THAN 20'

REF STD SPEC SEC 8-22



City of Seattle

NOT TO SCALE

BIKE LANE PAVEMENT MARKING AT DRIVEWAY