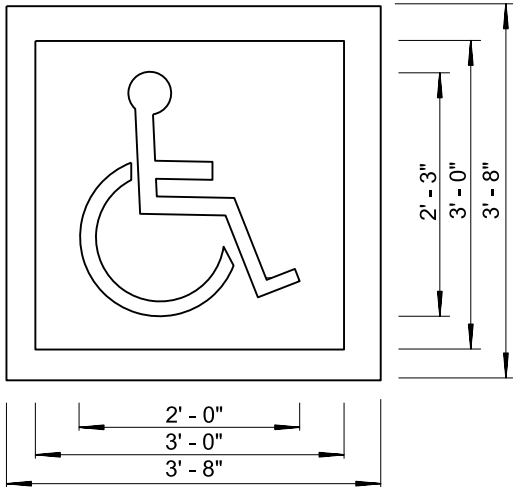


**DIAGONAL DOUBLE PARKING SPACES**

**NOTE:**  
SEE SHEETS 1 AND 2 FOR ACCESSIBLE PARKING NOTES.

**KEY NOTES:**

- ① 18'-0" LONG MIN. TO EDGE OF GUTTER OR 18'-0" LONG MIN. TO THE EDGE OF CURB IF GUTTER HAS 2% MAX SLOPE.
- ② 4" HATCHED DIAGONAL LINES AT 3'-0" MAX. ON-CENTER PAINTED A CONTRASTING COLOR WITH THE PARKING SURFACE (WHITE ON ASPHALT, BLUE ON CONCRETE).
- ③ ACCESS AISLE WIDTH: 5'-0" MINIMUM FOR VAN AND REGULAR SPACE. IN EXISTING CONDITIONS, AN 8'-0" ACCESS AISLE AND 9'-0" VAN SPACE SHALL BE PERMITTED.
- ④ "NO PARKING" SIGN SEE DETAIL ON **SDM-117 SHEET 5**



**NOTES:**

1. THE ISA SHALL BE PAINTED WHITE ON A BLUE BACKGROUND. THE COLOR BLUE SHALL MATCH FS 15090 IN THE FEDERAL STANDARD 595C. A BORDER MAY BE PROVIDED INSIDE OR OUTSIDE OF THE MINIMUM REQUIRED ISA DIMENSION.
2. THE LOCATION OF THE ISA SHALL BE VISIBLE TO A TRAFFIC ENFORCEMENT OFFICER WHEN THE VEHICLE IS STATIONED IN THE PARKING SPACE.

**INTERNATIONAL SYMBOL OF ACCESSIBILITY (ISA) PAVEMENT MARKING**



**NOTES:**

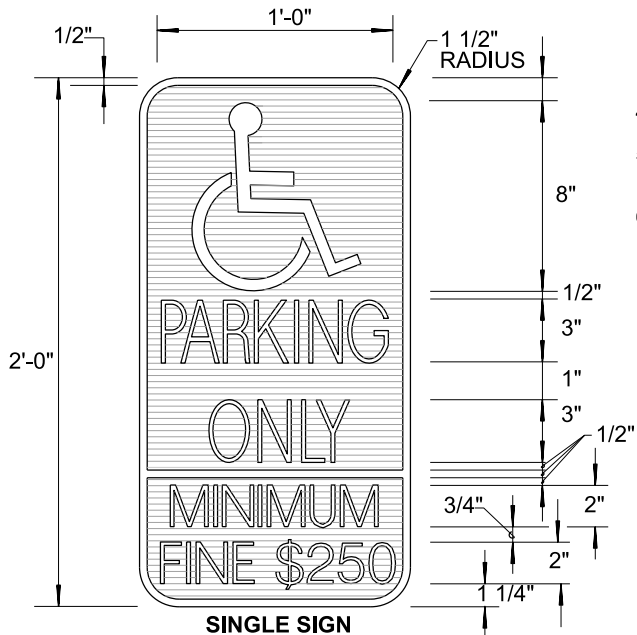
1. THE WORDS "NO PARKING" SHALL BE LOCATED AT THE END OF THE ACCESS AISLE SO THAT IT IS VISIBLE TO TRAFFIC ENFORCEMENT OFFICIALS.
2. THE LETTERS SHALL BE NO LESS THAN 12" HIGH AND PAINTED IN WHITE LETTERS ON A BLUE BACKGROUND. THE COLOR BLUE SHALL MATCH FS15090 IN THE FEDERAL STANDARD 595C.

**"NO PARKING" PAVEMENT MARKING**

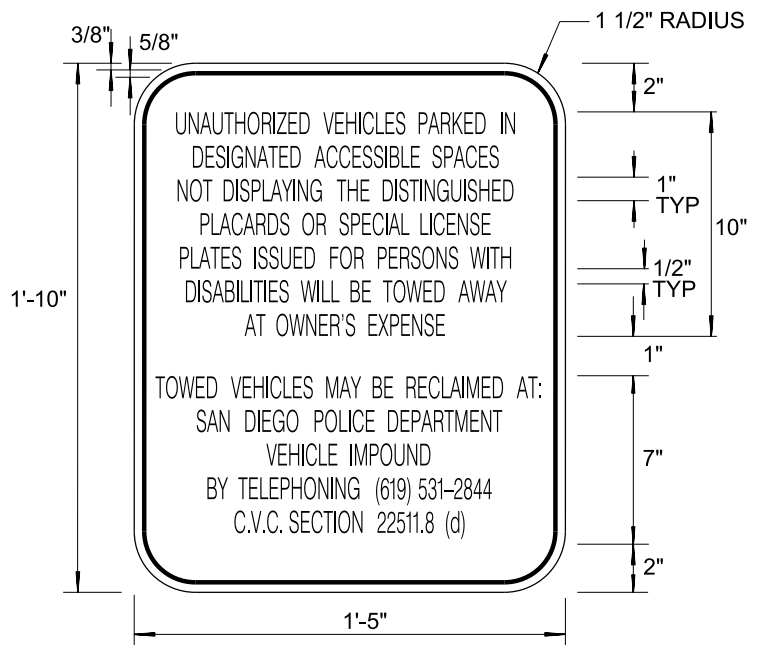
REVISION	BY	APPROVED	DATE	CITY OF SAN DIEGO – STANDARD DRAWING	RECOMMENDED BY THE CITY OF SAN DIEGO STANDARDS COMMITTEE
ORIGINAL	KA	J. NAGELVOORT	01/12		
UPDATED	FC	J. NAGELVOORT	02/16	<b>ACCESSIBLE PARKING (OFF-STREET)</b>	<i>Chungga</i> 9/17/18 COORDINATOR R.C.E. 56523 DATE
UPDATED	FC	J. NAGELVOORT	09/18		
				DRAWING NUMBER	<b>SDM-117</b>



**MULTIPLE SIGNS  
OFF-STREET PARKING ONLY**



**SINGLE SIGN  
OFF-STREET PARKING  
ON-STREET PARKING**



**TOW-AWAY SIGN  
FOR OFF-STREET PARKING ONLY**

**NOTES:**

1. SIGN POST: **SEE SDM-104** FOR "BREAK-AWAY SIGN POST".
2. SIGNS SHALL BE CONSTRUCTED ON MINIMUM 1/16" THICK ALUMINUM.
3. COLORS:  
 PARKING SIGNS:  
 BACKGROUND - BLUE (RETROREFLECTIVE)  
 BORDER, TEXT, AND SYMBOL - WHITE (RETROREFLECTIVE)  
 TOW AWAY SIGN:  
 BACKGROUND - WHITE (RETROREFLECTIVE)  
 BORDER AND LEGEND - BLACK
4. FONTS: SAN SERIF CLEARVIEW, 1" MIN LETTER HEIGHT
5. THE BOTTOM OF THE LOWEST SIGN SHALL BE AT LEAST 7'-0" OR HIGHER TO THE WALKING SURFACE OR 5'-0" IF INSTALLED ON A WALL.
6. SEE SHEET 2 FOR ADDITIONAL NOTES.

REVISION	BY	APPROVED	DATE
ORIGINAL	KA	J. NAGELVOORT	01/12
UPDATED	FC	J. NAGELVOORT	02/16
UPDATED	FC	J. NAGELVOORT	09/18

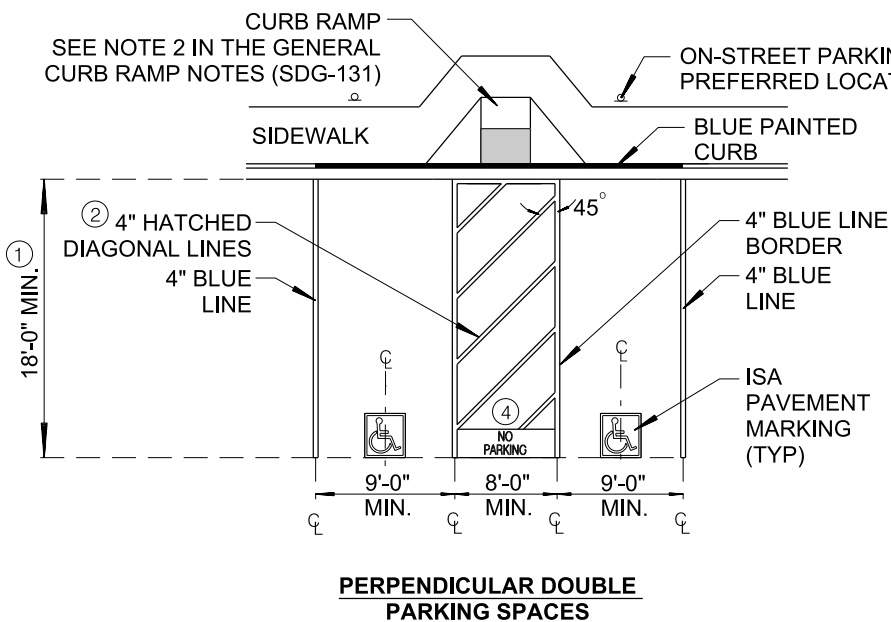
CITY OF SAN DIEGO - STANDARD DRAWING

**ACCESSIBLE PARKING  
(SIGNS)**

RECOMMENDED BY THE CITY OF SAN DIEGO STANDARDS COMMITTEE  
  
 9/17/18  
 COORDINATOR R.C.E. 56523 DATE

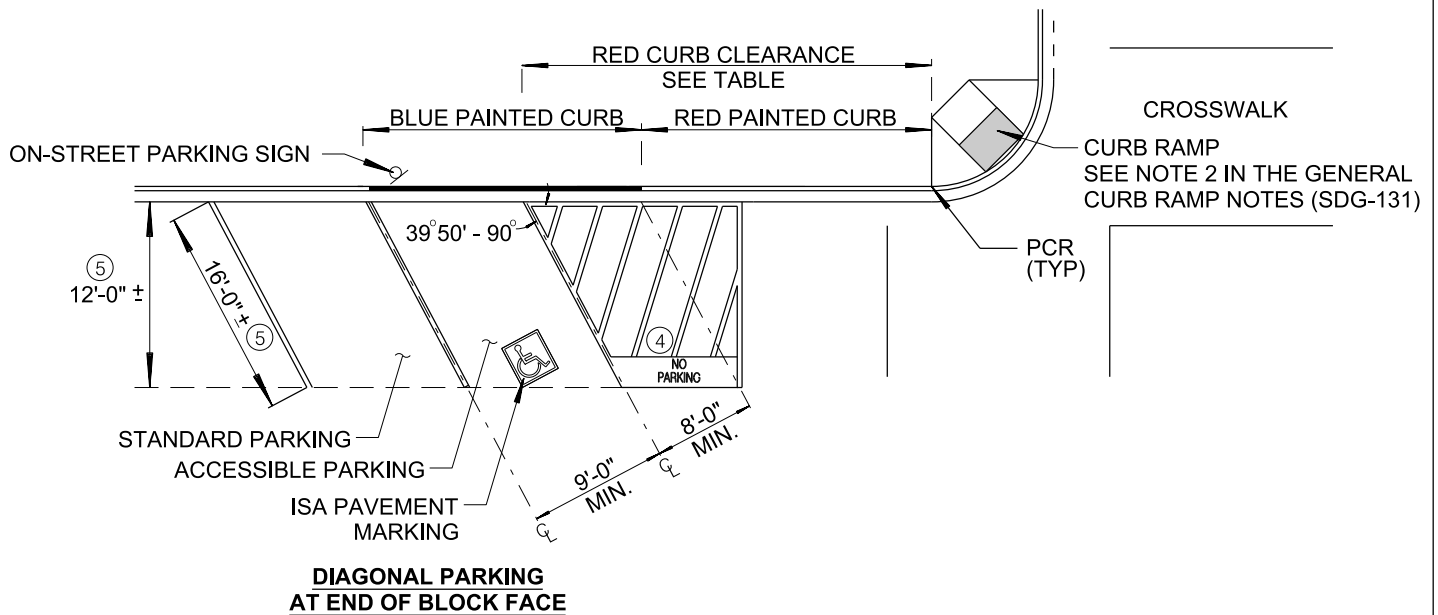
DRAWING NUMBER **SDM-117**





**KEY NOTES:**

- ① 18'-0" LONG MIN TO EDGE OF GUTTER OR 18'-0" LONG MIN TO THE EDGE OF CURB IF GUTTER HAS 2% MAX SLOPE.
- ② 4" HATCHED DIAGONAL LINES AT 3'-0" MAX ON-CENTER PAINTED A CONTRASTING COLOR WITH THE PARKING SURFACE (WHITE ON ASPHALT, BLUE ON CONCRETE).
- ④ "NO PARKING" SIGN SEE DETAILS ON SDM-117 SHEET 5
- ⑤ DIMENSION IS BASED OFF THE CITY'S TRAFFIC ENGINEERING AND OPERATIONS ANGLE PARKING GUIDELINES AND THE LENGTH SHALL VARY BASED ON THE ANGLE AND TYPE OF STREET. THE DIMENSION SHALL BE TAKEN FROM FACE OF CURB, NOT EDGE OF GUTTER.



**NOTES:**

- 1. NO ACCESSIBLE PARKING SPACE OR ACCESS AISLE SHALL BE WITHIN 15'-0" OF A FIRE HYDRANT.
- 2. IN THE RED CURB CLEARANCE TABLE, THE MINIMUM RED CURB LENGTH FOR A 90° ANGLED PARKING SPACE VARIES BASED ON LOCATION, SIGHT VISIBILITY, AND OTHER FACTORS. CONTACT THE CITY'S TRAFFIC ENGINEERING AND OPERATIONS DIVISION FOR ASSISTANCE.
- 3. SEE SHEETS 1 AND 2 FOR ADDITIONAL NOTES.

ANGLE	MINIMUM RED CURB/ CLEARANCE FROM INTERSECTION/ DRIVEWAY
39°50'	20'-0"
45°	18'-0"
50°	15'-0"
55°	13'-0"
60°	11'-0"
90°	6'-0" MIN. TO 10'-0" MAX.

**RED CURB CLEARANCE TABLE**

REVISION	BY	APPROVED	DATE
ORIGINAL	FC	A. OSKOU	12/06
UPDATED	FC	J. NAGELVOORT	02/16
UPDATED	FC	J. NAGELVOORT	09/18

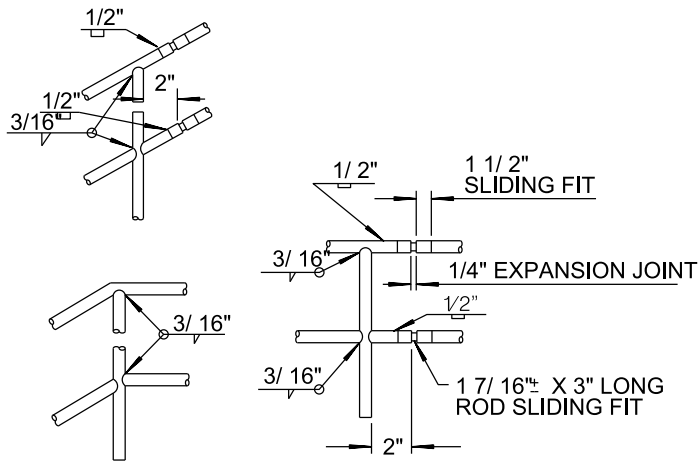
CITY OF SAN DIEGO – STANDARD DRAWING

**ACCESSIBLE PARKING (ON-STREET)**

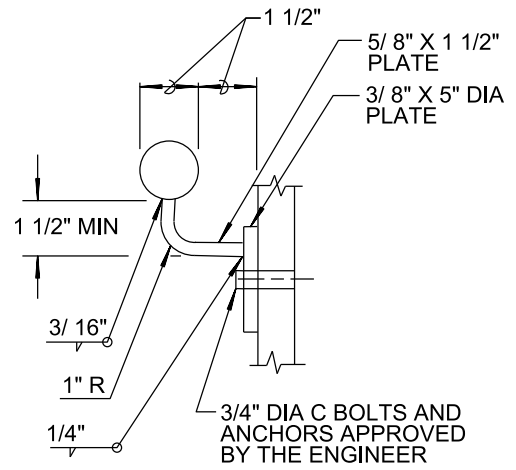
RECOMMENDED BY THE CITY OF SAN DIEGO STANDARDS COMMITTEE

*Chungga* 9/17/18  
COORDINATOR R.C.E. 56523 DATE

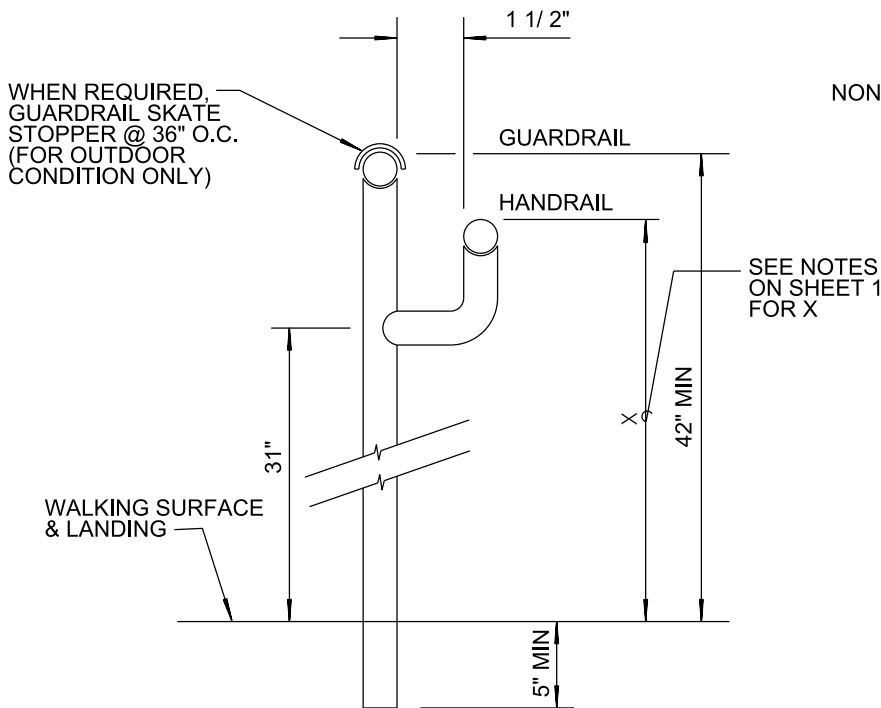
DRAWING NUMBER **SDM-117**



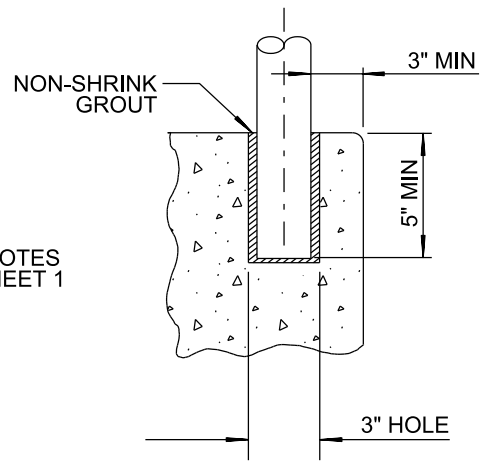
**WELDING DETAILS**



**HANDRAIL BRACKET**



**PIPE GUARDRAIL**

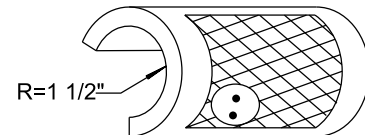


**MOUNTING DETAIL\***

\*POST SHALL BE GROUTED IN PLACE USING NON-SHRINK GROUT.

**RAILING NOTES**

1. 1/4" EXPANSION JOINTS @ 16' ON CENTER.
2. WELD AND GRIND SMOOTH ALL CONNECTIONS.
3. ALL RAILING TO BE HOT DIP GALVANIZED AFTER FABICATION.
4. PIPE SHALL BE SEAMLESS STEEL ASTM A53 GRADE B.
5. INSTALL HANDRAILS ON BOTH SIDES.
6. STAIRS AND LANDINGS THAT ARE OPEN ON ONE OR BOTH SIDES AND MORE THAN 30" ABOVE THE ADJACENT GROUND SHALL BE PROVIDED WITH GUARDRAIL.



**ALUMINUM GUARDRAIL SKATE STOPPER**


REVISION	BY	APPROVED	DATE	CITY OF SAN DIEGO – STANDARD DRAWING	RECOMMENDED BY THE CITY OF SAN DIEGO STANDARDS COMMITTEE
UPDATE	KA	J. NAGELVOORT	01/12		
UPDATE	FC	J. NAGELVOORT	02/16		
REDRAFTED	CD	J. NAGELVOORT	09/18		
<b>PEDESTRIAN PROTECTIVE RAILING &amp; STAIR HANDRAIL</b>				9/4/18 COORDINATOR R.C.E. 56523 DATE	
				DRAWING NUMBER <b>SDM-118</b>	



**SIZE:** 4" HIGH x 8" WIDE  
**COLORS:**  
 BACKGROUND: WHITE  
 LETTERS: PANTONE 522 PURPLE  
 CIRCLE/SLASH: DARK RED OVER WATER GLASS  
 WATER GLASS: PANTONE 522 PURPLE  
 1/4" WIDE BORDER: PANTONE 522 PURPLE  
 HOLES: 1/8" AT CORNERS

**RECYCLED WATER PROCESS SIGN**


SHEET 2 OF 4

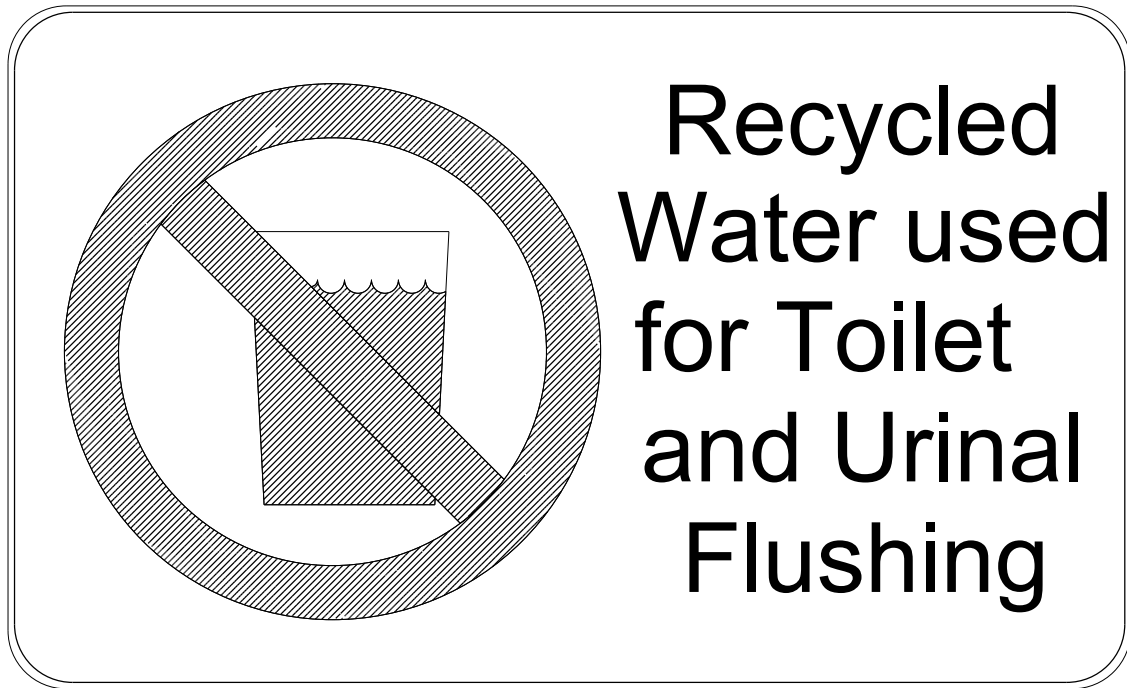
REVISION	BY	APPROVED	DATE	CITY OF SAN DIEGO – STANDARD DRAWING	RECOMMENDED BY THE CITY OF SAN DIEGO STANDARDS COMMITTEE	
ORIGINAL	KA	J. NAGELVOORT	01/12		<b>RECYCLED WATER SIGNS</b>	 9/4/18 <small>COORDINATOR R.C.E. 56523 DATE</small>
REDRAFTED	CD	J. NAGELVOORT	09/18			
				DRAWING NUMBER		<b>SDRW-108</b>



**SIZE:** 4" HIGH x 8" WIDE  
**COLORS:**  
 BACKGROUND: WHITE  
 LETTERS: PANTONE 522 PURPLE  
 CIRCLE/SLASH: DARK RED WATER TAP  
 WATER TAP: PANTONE 522 PURPLE  
 1/4" WIDE BORDER: PANTONE 522 PURPLE  
 HOLES: 1/8" AT CORNERS

**RECYCLED WATER SIGN FOR IRRIGATION**

REVISION	BY	APPROVED	DATE	CITY OF SAN DIEGO – STANDARD DRAWING	RECOMMENDED BY THE CITY OF SAN DIEGO STANDARDS COMMITTEE	
ORIGINAL	KA	J. NAGELVOORT	01/12			
REDRAFTED	CD	J. NAGELVOORT	09/18	<b>RECYCLED WATER SIGNS</b>	 <small>COORDINATOR R.C.E. 56523</small>	
					9/4/18 <small>DATE</small>	
					DRAWING NUMBER	<b>SDRW-108</b>

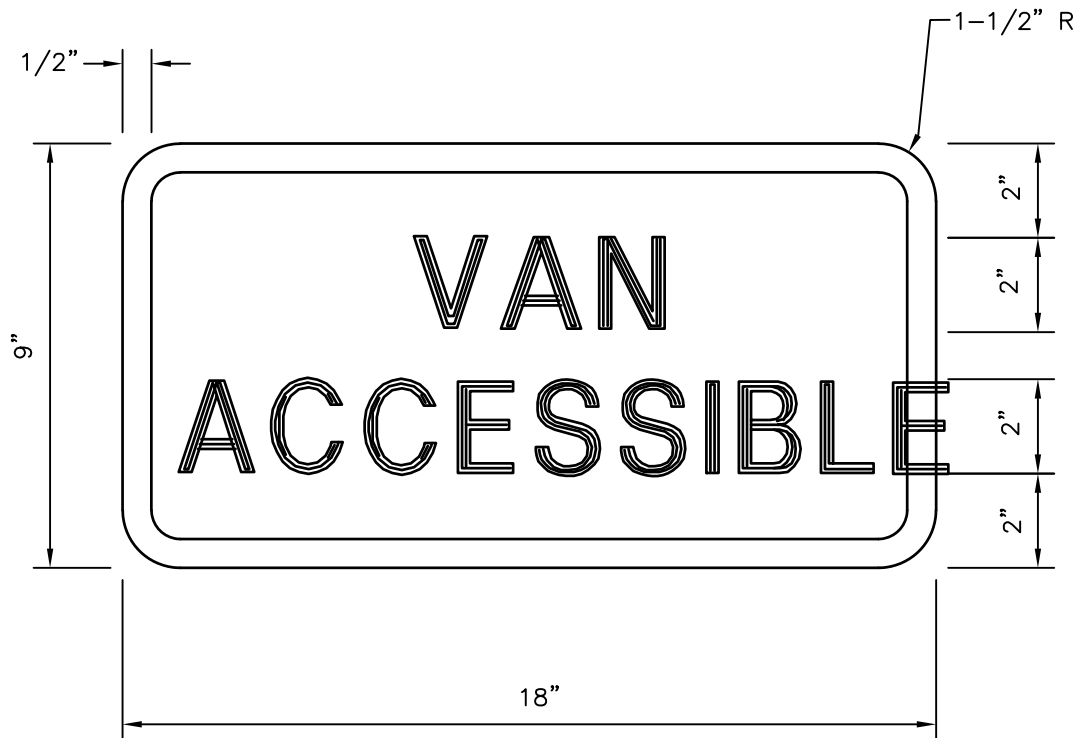


**SIZE:** 4" HIGH x 8" WIDE  
**COLORS:**  
 BACKGROUND: WHITE  
 LETTERS: PANTONE 522 PURPLE  
 CIRCLE/SLASH: DARK RED OVER WATER GLASS  
 WATER GLASS: PANTONE 522 PURPLE  
 1/4" WIDE BORDER: PANTONE 522 PURPLE  
 HOLES: 1/8" AT CORNERS

**RECYCLED WATER SIGN FOR TOILET & URINAL FLUSHING**

SHEET 4 OF 4

REVISION	BY	APPROVED	DATE	CITY OF SAN DIEGO – STANDARD DRAWING	RECOMMENDED BY THE CITY OF SAN DIEGO STANDARDS COMMITTEE
ORIGINAL	KA	J. NAGELVOORT	01/12		
REDRAFTED	CD	J. NAGELVOORT	09/18		
				DRAWING NUMBER	<b>SDRW-108</b>

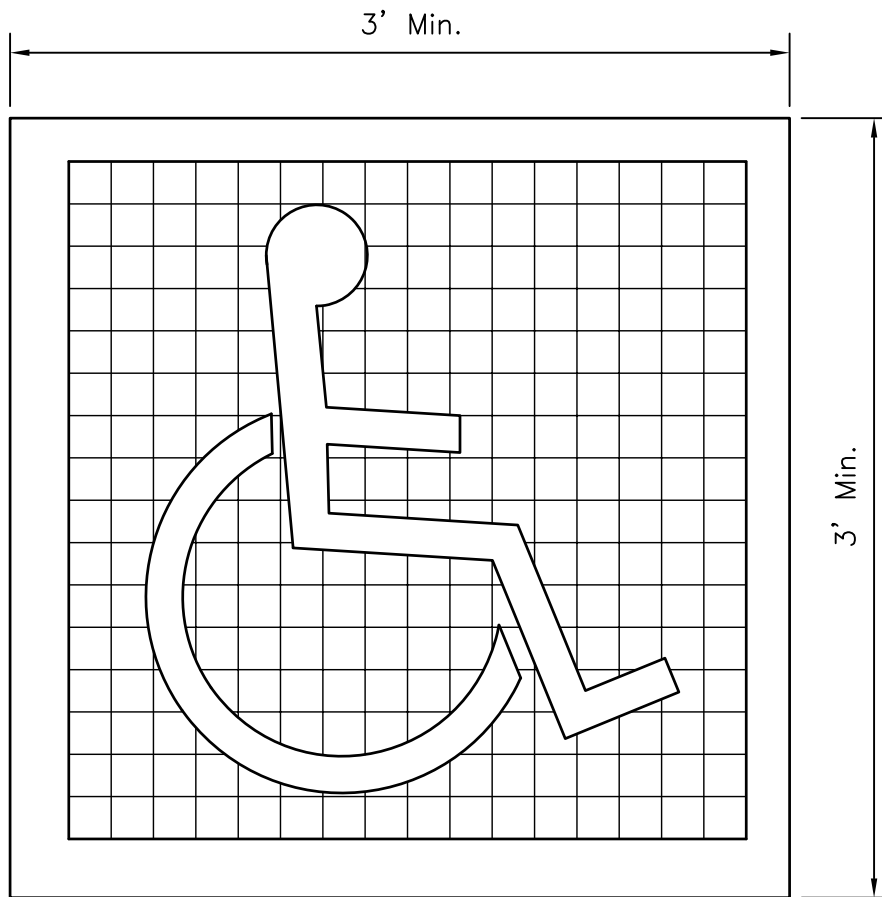


**NOTES**

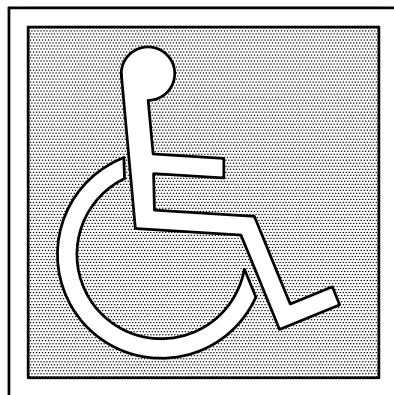
1. Sign shall be constructed of aluminum, 0.062" minimum thickness.
2. Colors: Background—Reflectorized Blue  
 Border and letters— Reflectorized White  
 Blue color shall match color No. 15090 in the  
 Federal Standard 595a as specified in Section 522(b)2.

Revision	By	Approved	Date	SAN DIEGO REGIONAL STANDARD DRAWING	RECOMMENDED BY THE SAN DIEGO REGIONAL STANDARDS COMMITTEE
ORIGINAL		G.Parkinson	05/92		<b>VAN ACCESSIBLE SIGN FOR DISABLE PARKING SPACE</b>
Revised		D. Gerschoffer	09/15		
Reviewed		K. Equipado	10/18	DRAWING NUMBER <b>M-28B</b>	
Reviewed	RP	S. Engeda	03/22		





(a) SYMBOL PROPORTIONS



← INTERNATIONAL SYMBOL OF ACCESSIBILITY

(b) DISPLAY CONDITIONS

**NOTES**

1. Pavement symbol shall be painted white on a blue background.
2. Blue color shall match color No. 15090 in the Federal Standard 595a as specified in Section 522(b)2.

Revision	By	Approved	Date	SAN DIEGO REGIONAL STANDARD DRAWING	RECOMMENDED BY THE SAN DIEGO REGIONAL STANDARDS COMMITTEE
ORIGINAL		G. Parkinson	02/95		<b>PAVEMENT SYMBOL- DISABLED PARKING</b>
Revised		D. Gerschoffer	09/15		
Reviewed		K. Equipado	10/18		
Reviewed	RP	S. Engeda	03/22		
					 03/24/2022 Chairperson R.C.E. 52241 Date
					<b>DRAWING NUMBER M-29</b>