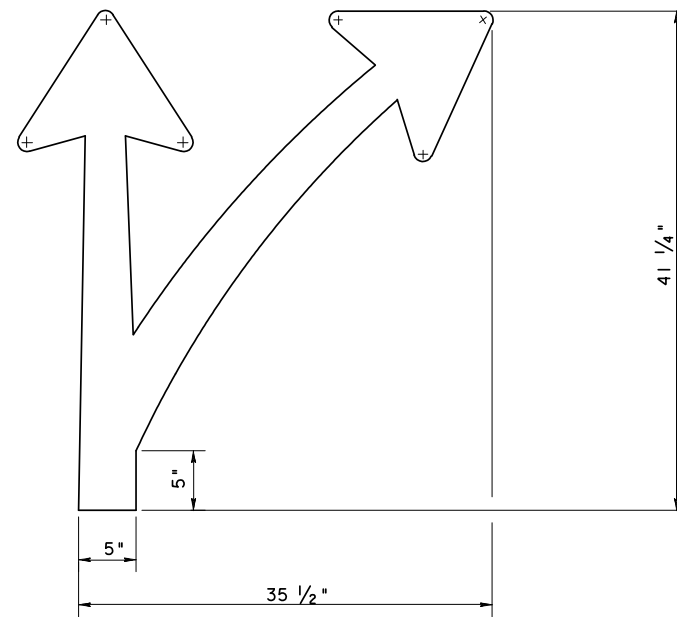
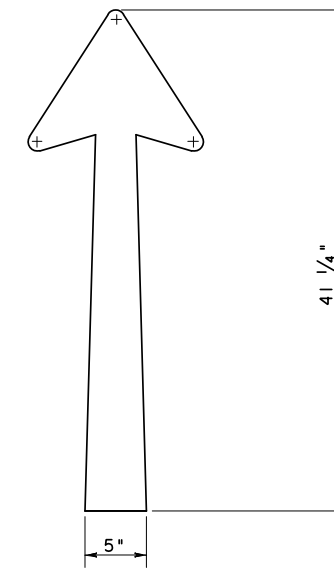


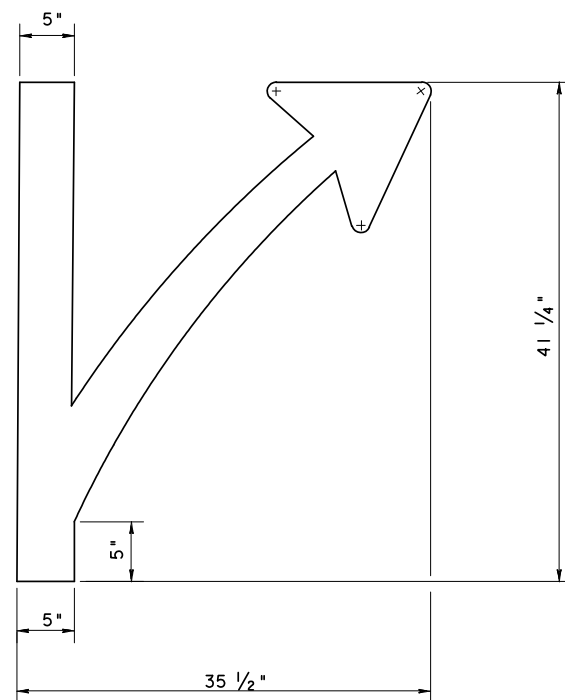
TYPE D



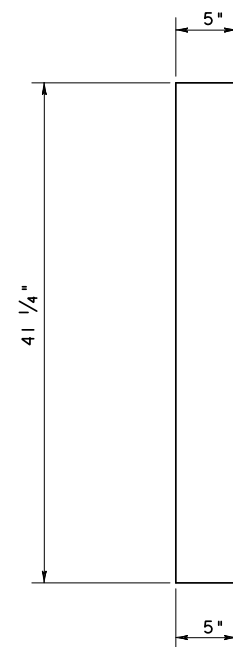
TYPE E



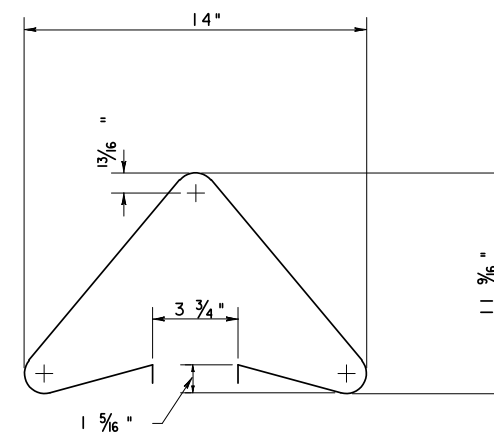
TYPE A-4



TYPE E-1



EXTENSION DETAIL



TYPICAL  
ARROWHEAD DETAIL

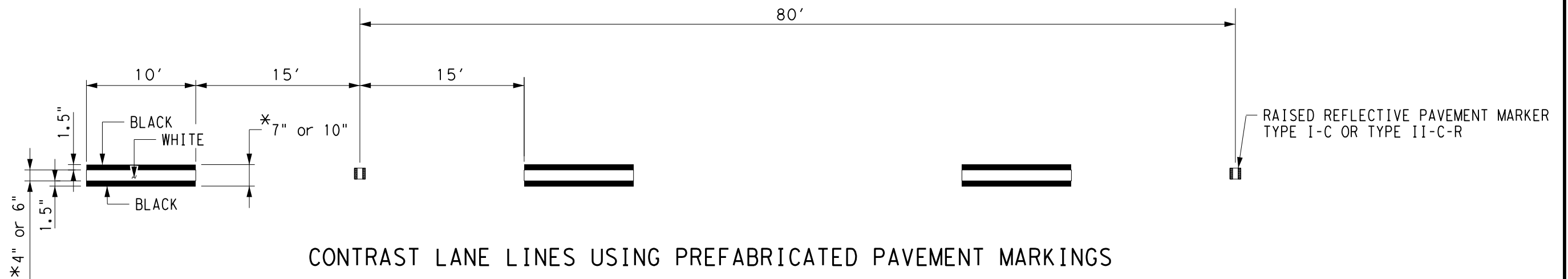
For Department Material Specifications and General Notes see "TSR Series" Standard.



ARROW DETAILS  
(FOR DIAGRAMMATIC SIGNS)

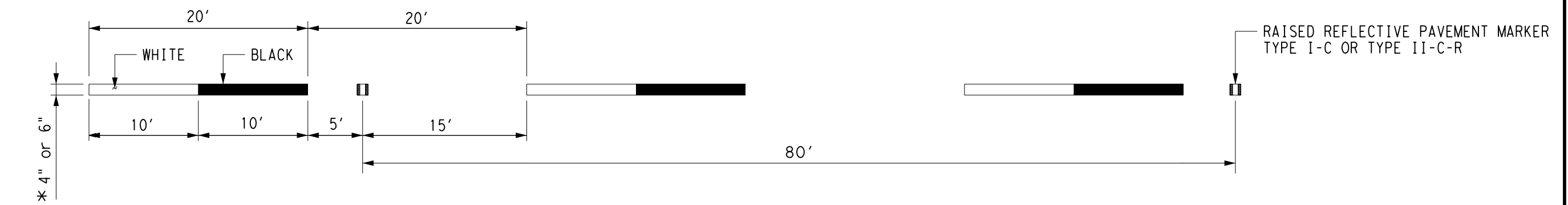
AD-04

FILE#	DN#	CK#	DW#	CK#
© TxDOT 1998	DIST	FED REG	PROJECT NO.	SHEET
REVISIONS	HOU	6		
	COUNTY	CONTROL	SECT	JOB
				HIGHWAY



CONTRAST LANE LINES USING PREFABRICATED PAVEMENT MARKINGS

➔ DIRECTION OF TRAFFIC



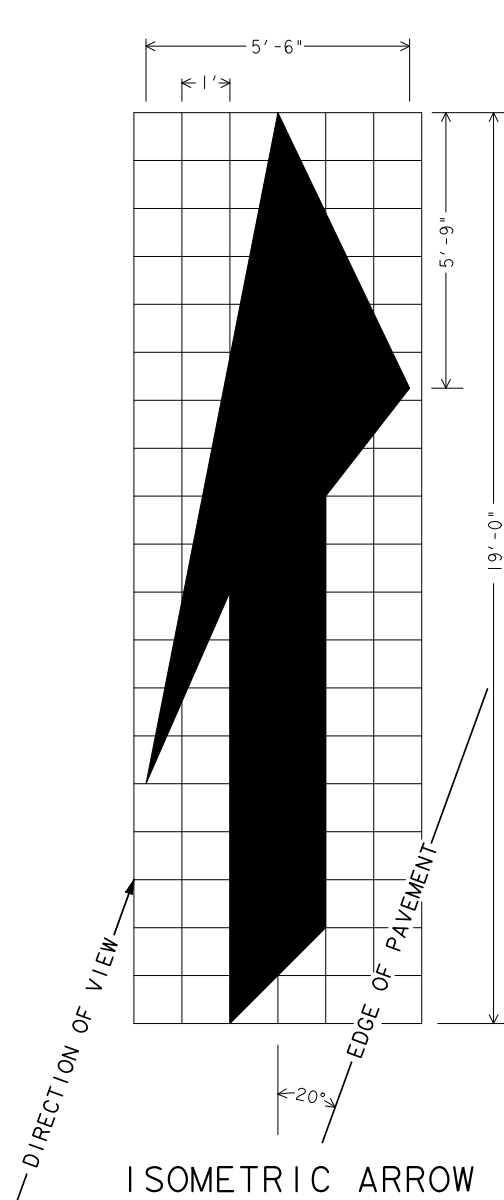
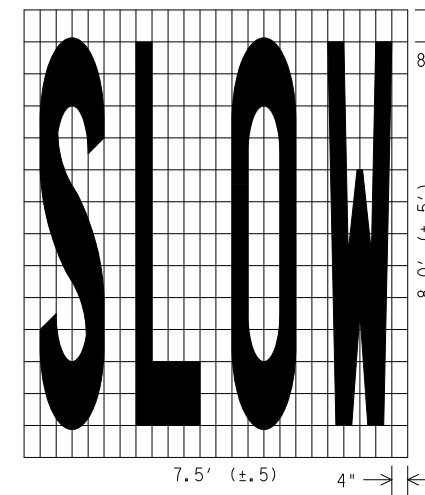
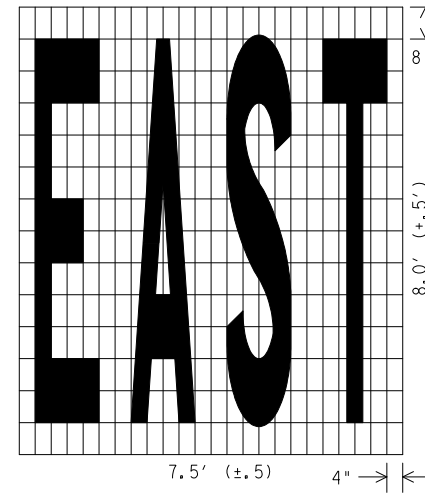
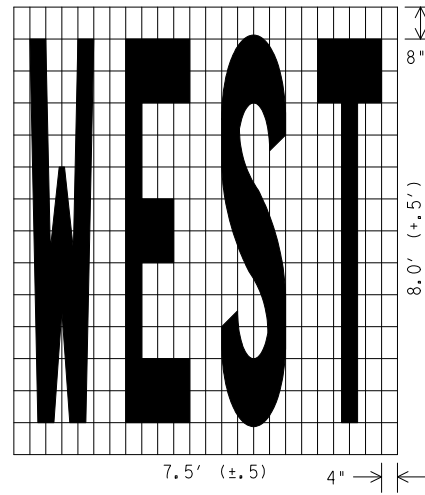
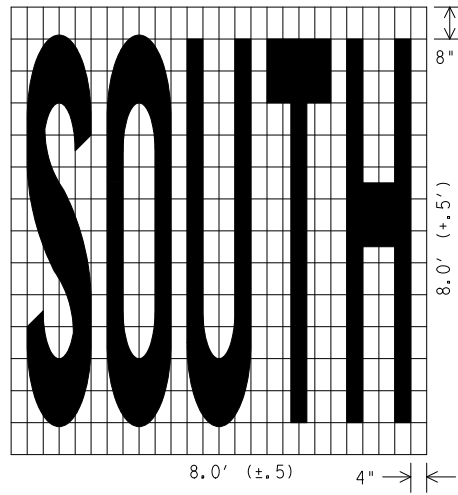
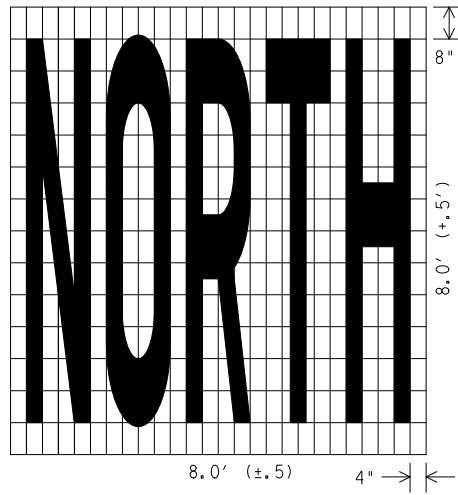
CONTRAST LANE LINES USING LIQUID APPLICATIONS  
(MULTIPOLYMER, THERMOPLASTIC, ETC.)

\* AS SHOWN ON THE PLANS.

PAVEMENT MARKINGS  
(CONTRAST LANE LINES)

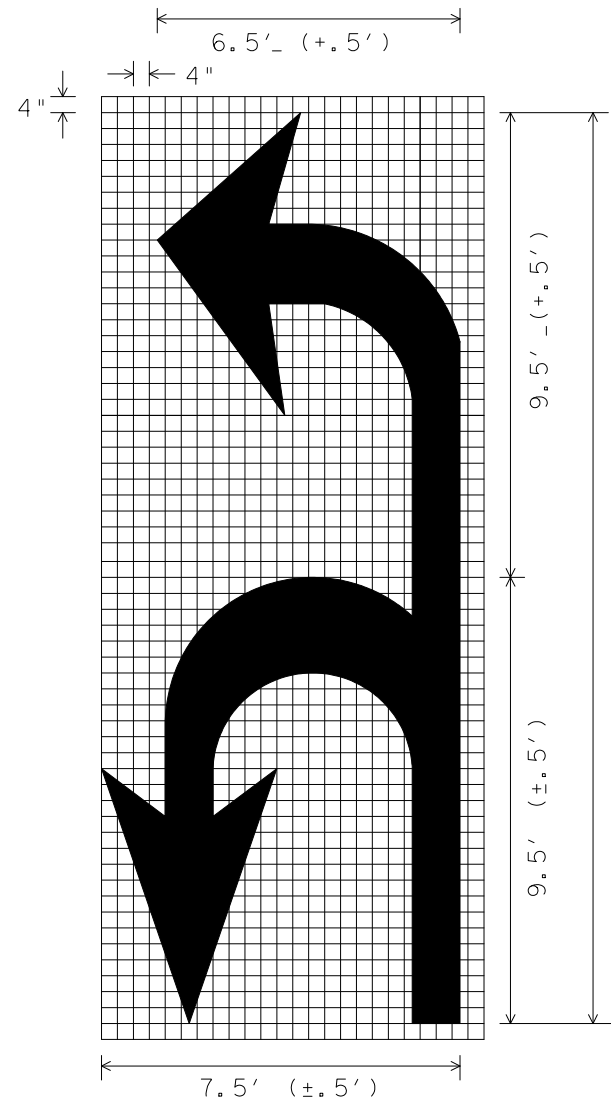
PM (CLL) - 14

FILE:	DN:	CK:	DW:	CK:
© TxDOT 2003	DIST	FED REG	PROJECT NO.	SHEET
REVISIONS	HOU	6		
01-19-08	COUNTY	CONTROL	SECT	JOB
08-2014 "9" to 10"				HIGHWAY

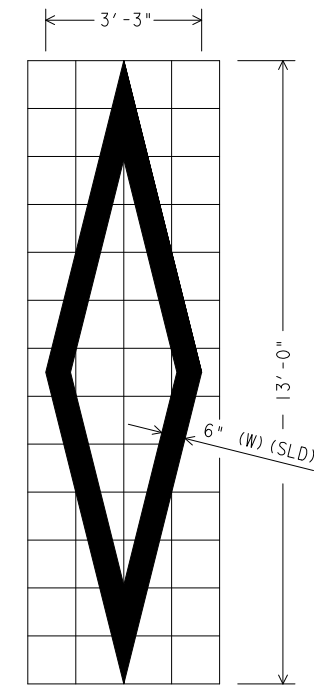


ISOMETRIC ARROW

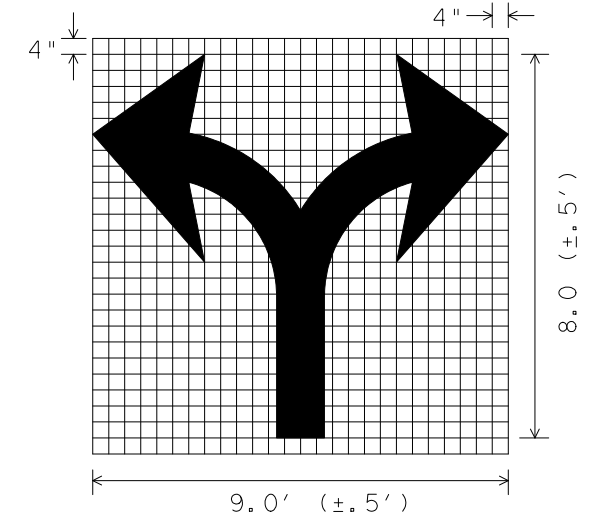
12 INCH GRID  
 AREA = 42 SQ. FT.  
 RIGHT LANE DROP ARROW  
 (FOR LEFT LANE, USE MIRROR IMAGE)



U-L ARROW



DIAMOND SYMBOL



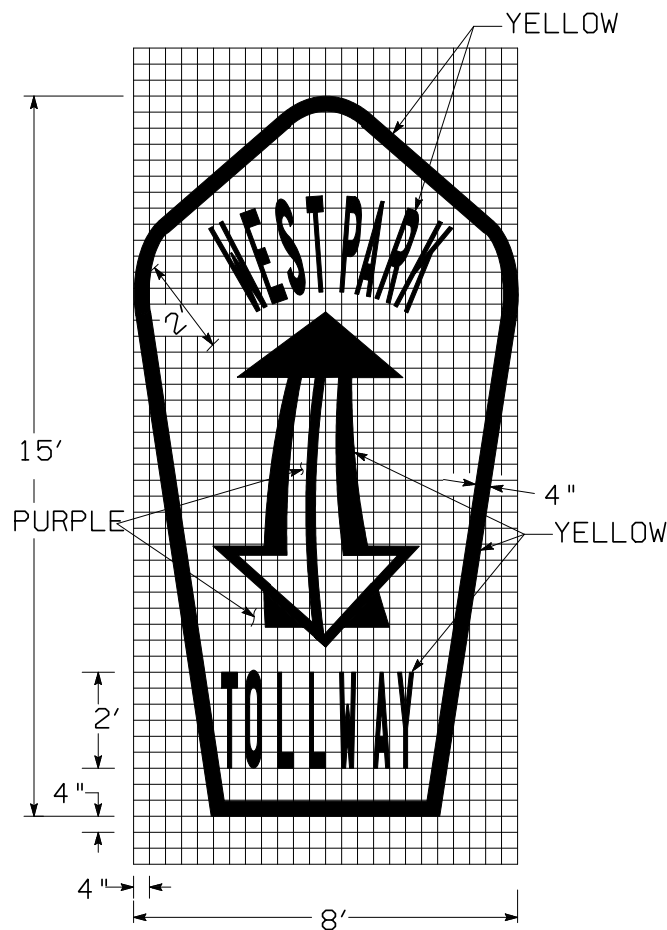
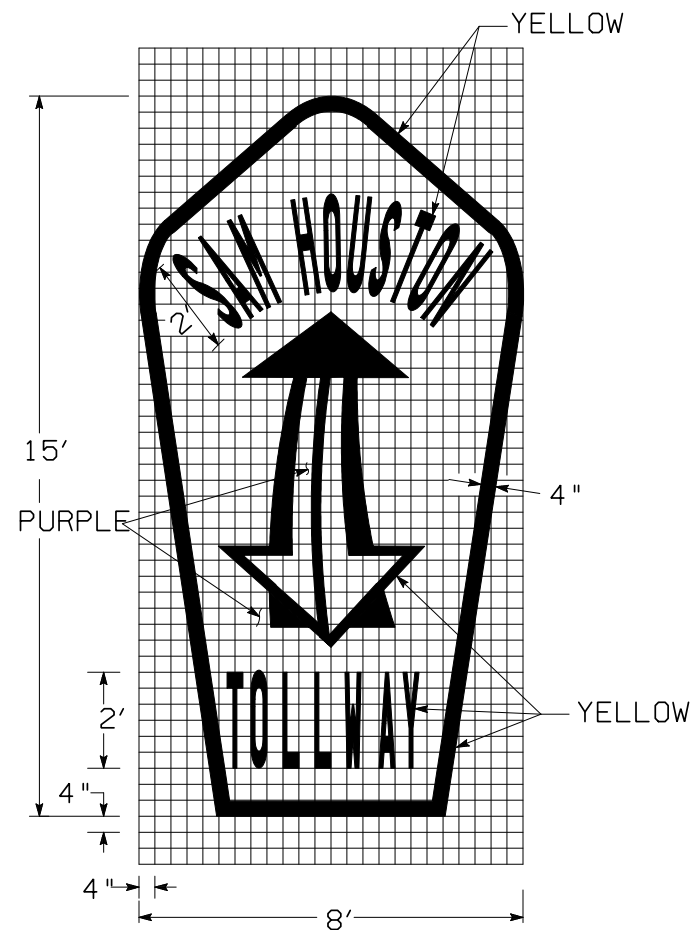
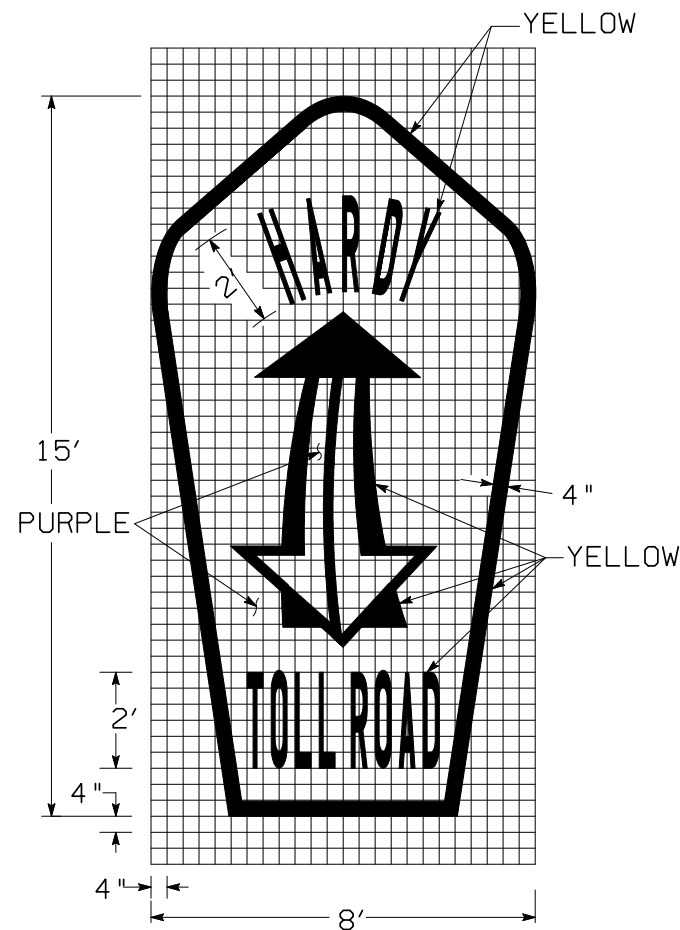
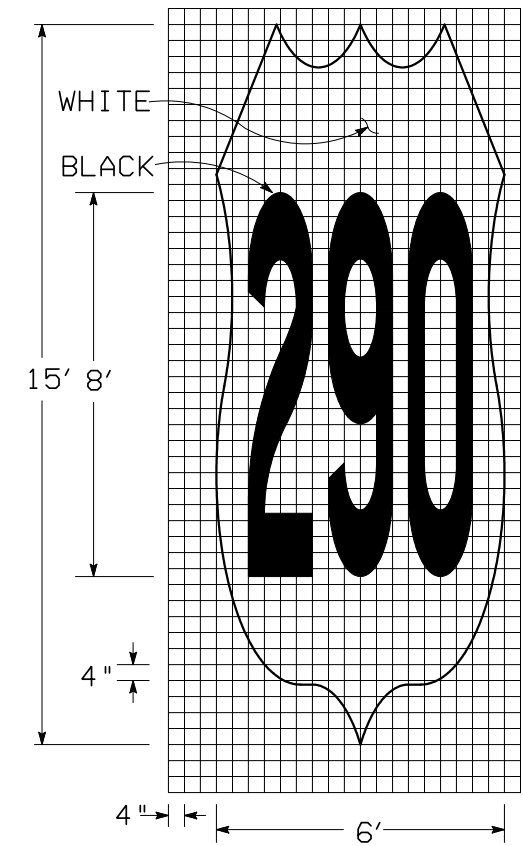
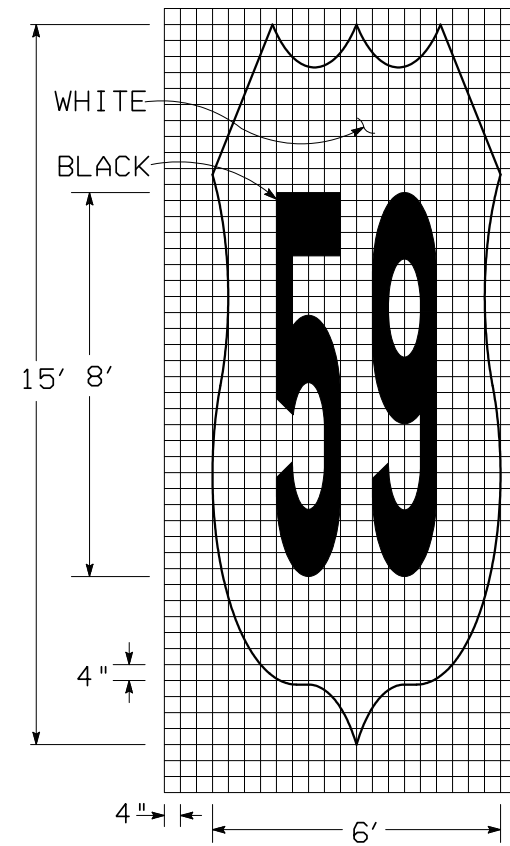
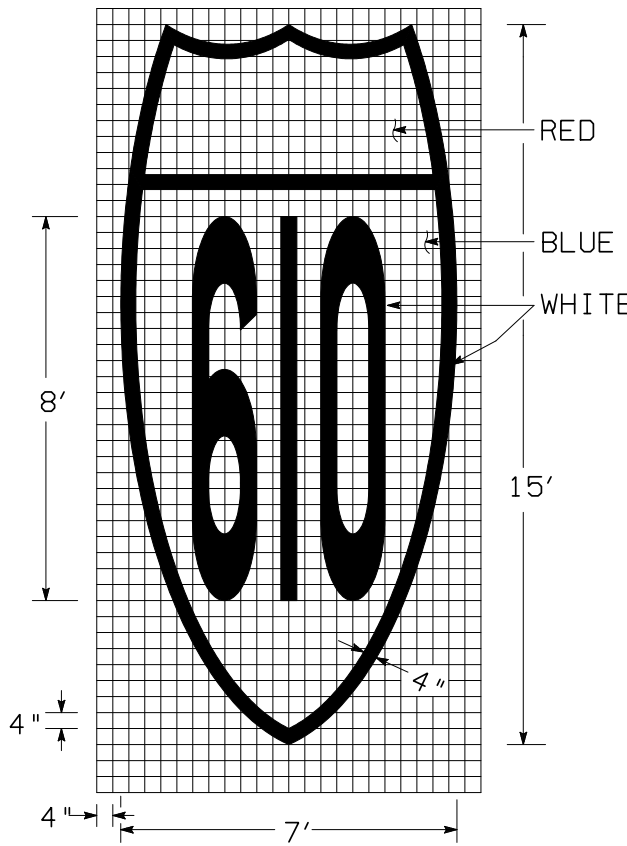
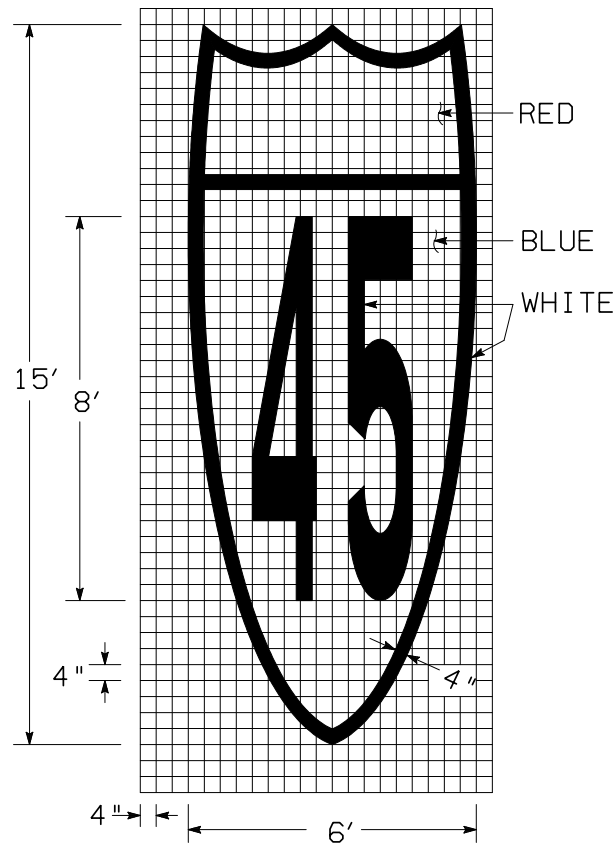
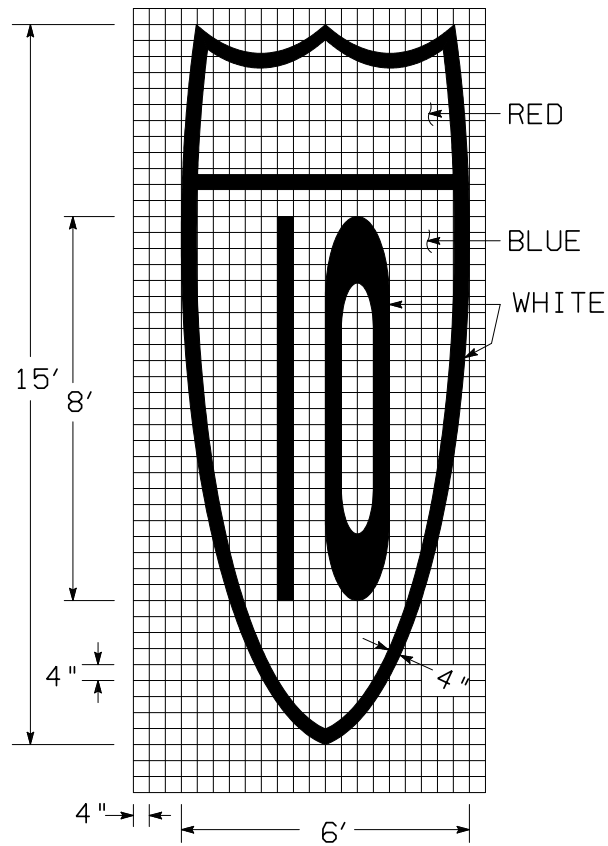
SCALE 1/4" = 1'



PAVEMENT MARKINGS  
 (WORDS, ARROWS & SYMBOLS)

PM(WAS) -07

FILE#	DN#	CK#	DW#	CK#
© TxDOT 2007	DIST	FED REG	PROJECT NO.	SHEET
REVISIONS	HOU	6		
03-19-07	COUNTY	CONTROL	SECT	JOB
				HIGHWAY



SHEET 1 OF 2 SCALE 1/4" = 1'



PAVEMNT MARKING  
(SHIELD)

PM(SHIELD-1)-04

FILE#	DN#	CK#	DW#	CK#
© TXDOT 2004	DIST	FED REG	PROJECT NO.	SHEET
REVISIONS	HOU	6		
	COUNTY	CONTROL	SECT	JOB
				HIGHWAY